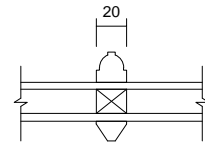
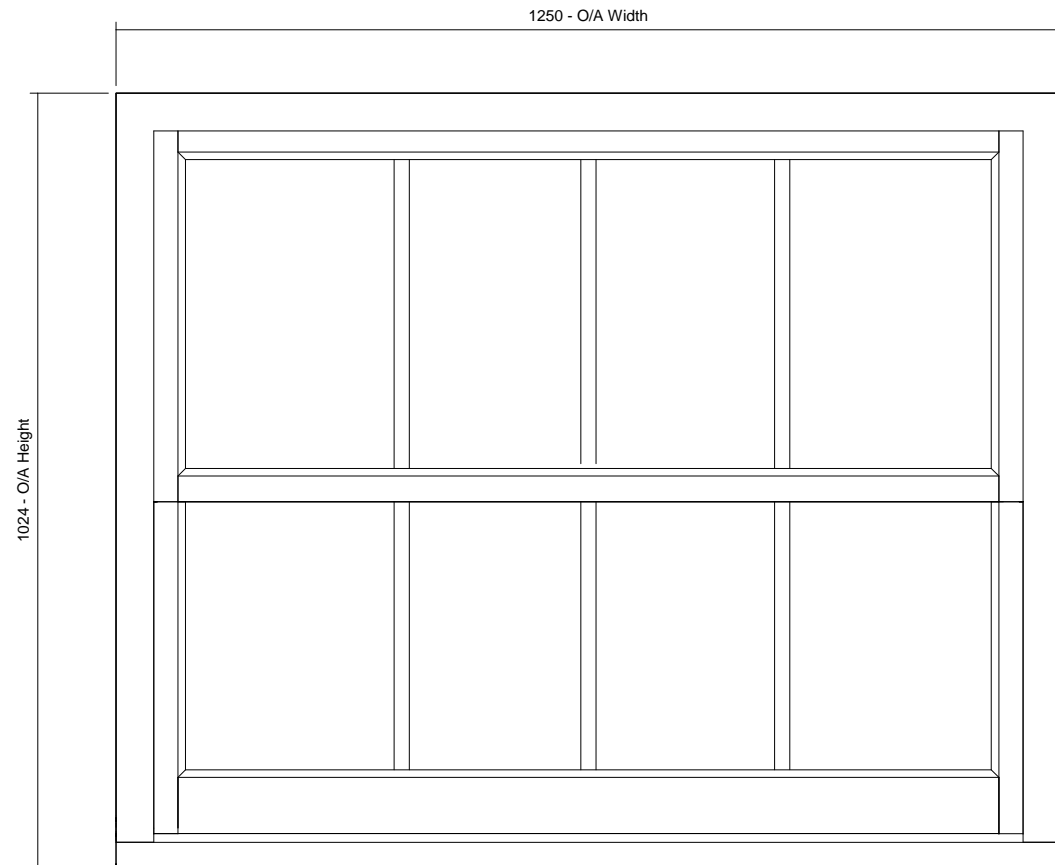


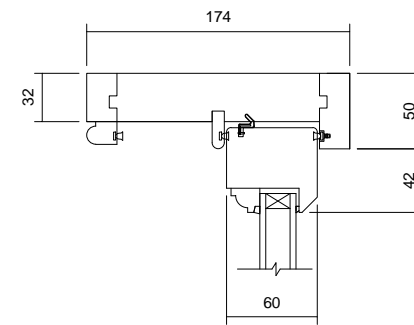
03 Jamb Detail
1 : 5



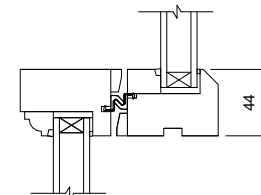
04 Glazing Bar Detail
1 : 5



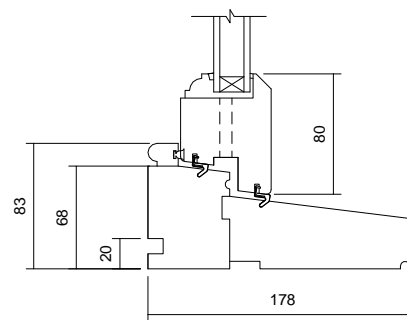
02 Front View
1 : 10



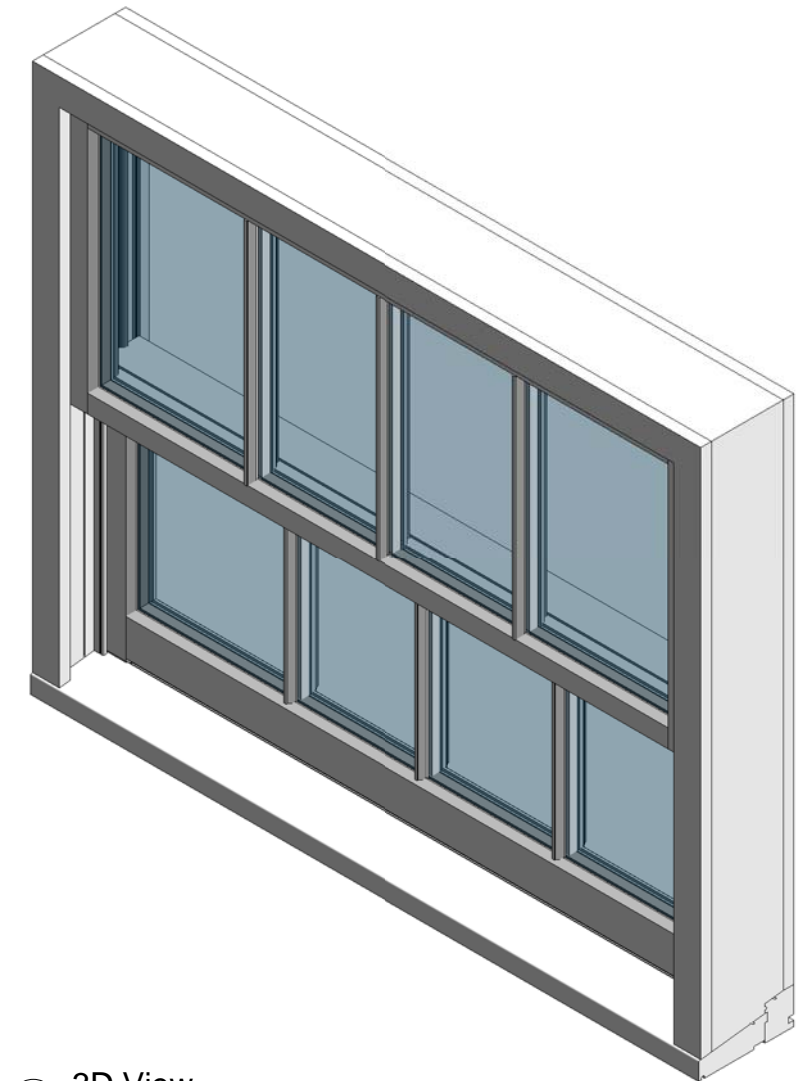
05 Head Detail
1 : 5



06 Meeting Rail Detail
1 : 5




07 Cill Detail
1 : 5



01 3D View

Window Schedule	
Height	Width
1024	1250

NOTE! ELEVATION DRAWINGS VIEWED EXTERNALLY

 <p>Made-to-order timber windows and doors</p>	Drawing Number S1-44V		Drawn By DH
	Scale 1:5 & 1:10 @ A4	Revision	Date 28/05/16
	Customer		
	Project Spring Sash 1024 x 1250		
T 01277 353857 www.lomaxwood.co.uk		© COPYRIGHT 2016 LOMAX-WOOD. ALL RIGHTS RESERVED	