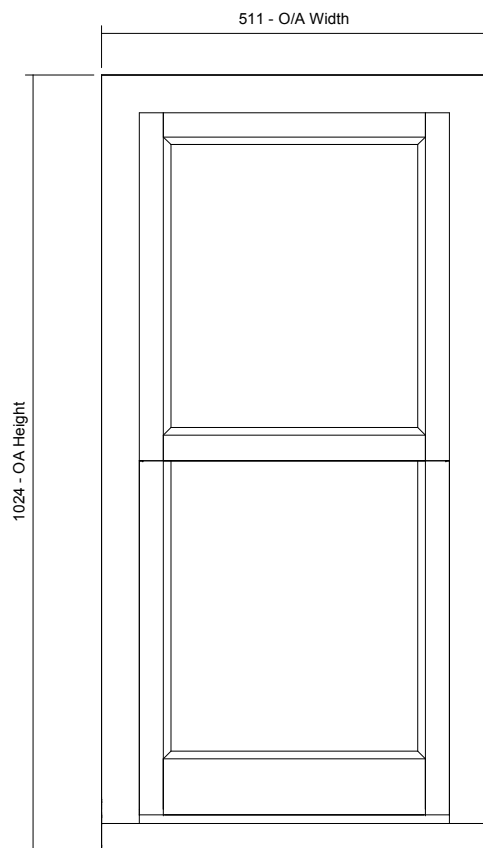
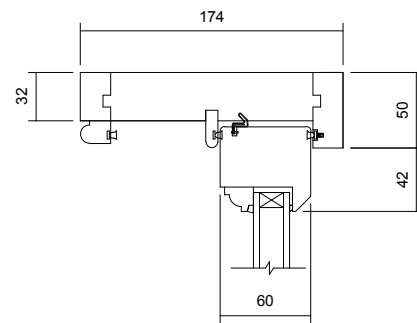


03 Jamb Detail
1 : 5

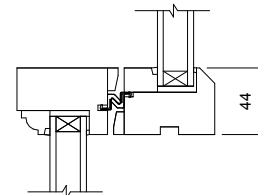


02 Front View
1 : 10

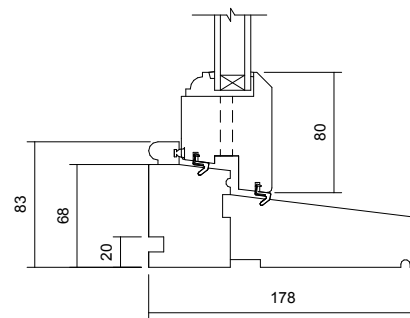
Window Schedule	
Height	Width
1024	511



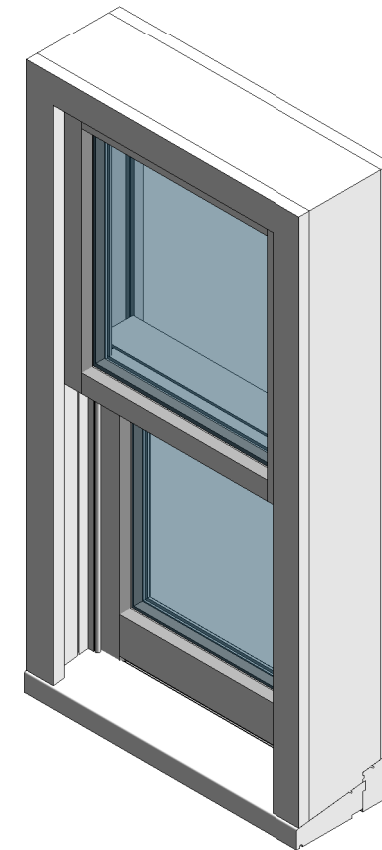
04 Head Detail
1 : 5



05 Meeting Rail Detail
1 : 5




06 Cill Detail
1 : 5



01 3D View

NOTE! ELEVATION DRAWINGS VIEWED EXTERNALLY

		Drawing Number		Drawn By
		S1-11		DH
Made-to-order timber windows and doors		Scale	Revision	Date
		1:5 & 1:10 @ A4		28/05/16
LOMAX +WOOD		Customer		
		Project		
		Spring Sash 1024 x 511		
T 01277 353857 www.lomaxwood.co.uk		© COPYRIGHT 2016 LOMAX+WOOD. ALL RIGHTS RESERVED		