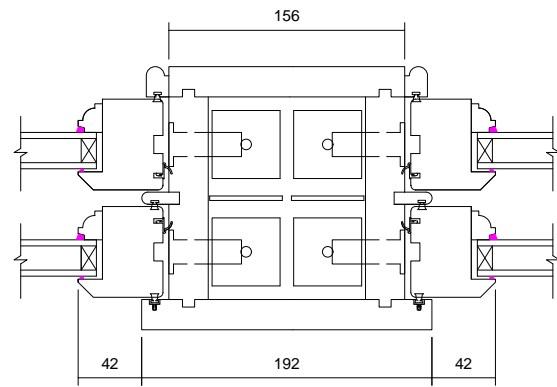
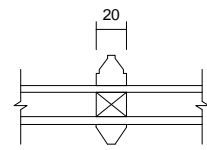


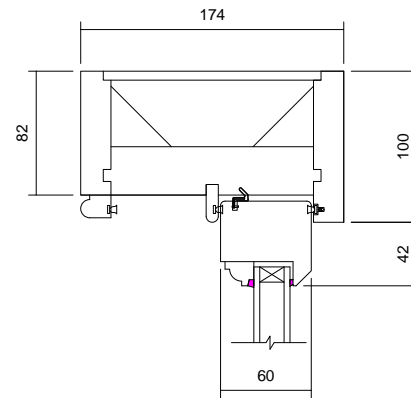
03 Jamb Detail  
1 : 5



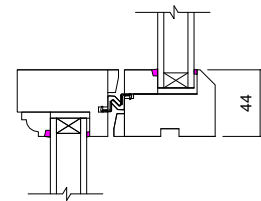
04 Mullion Detail  
1 : 5



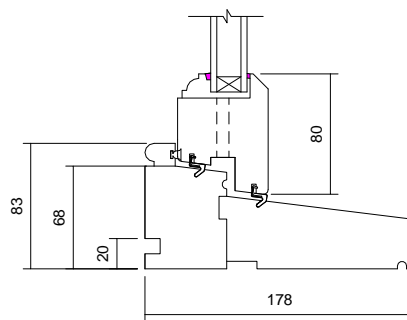
05 Glazing Bar Detail  
1 : 5



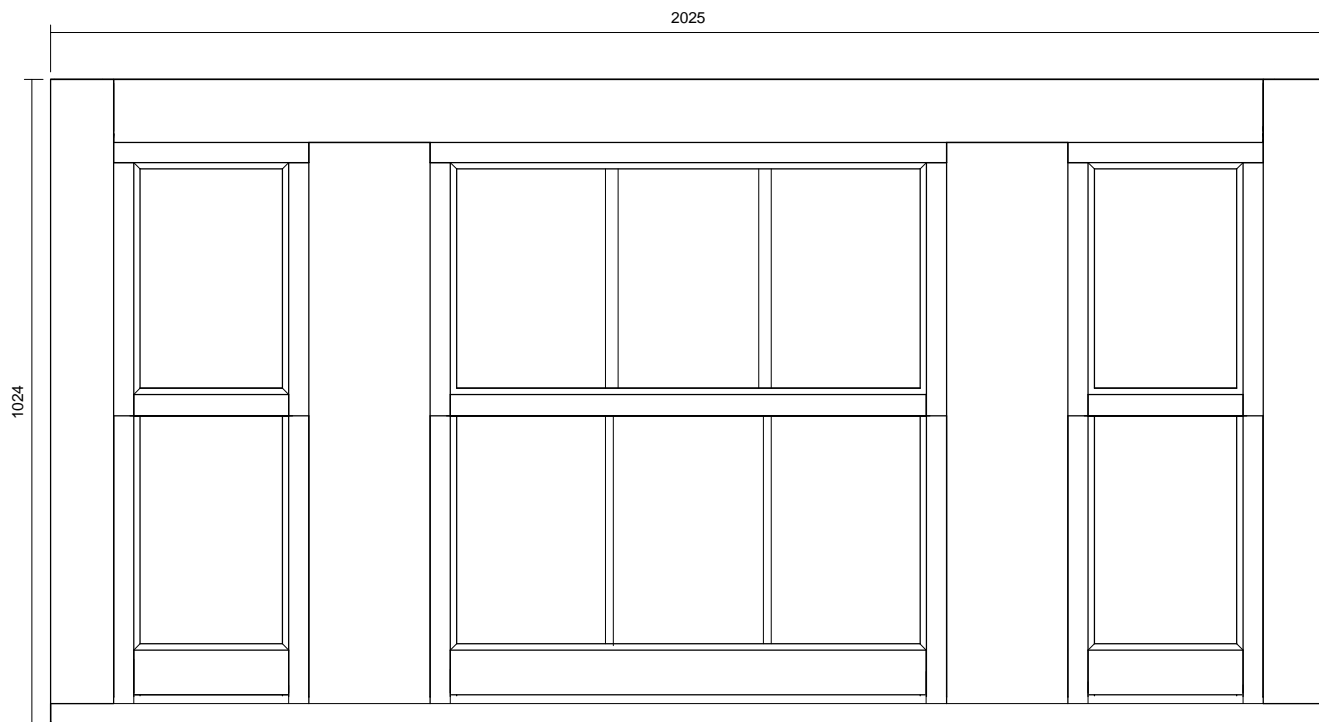
06 Head Detail  
1 : 5



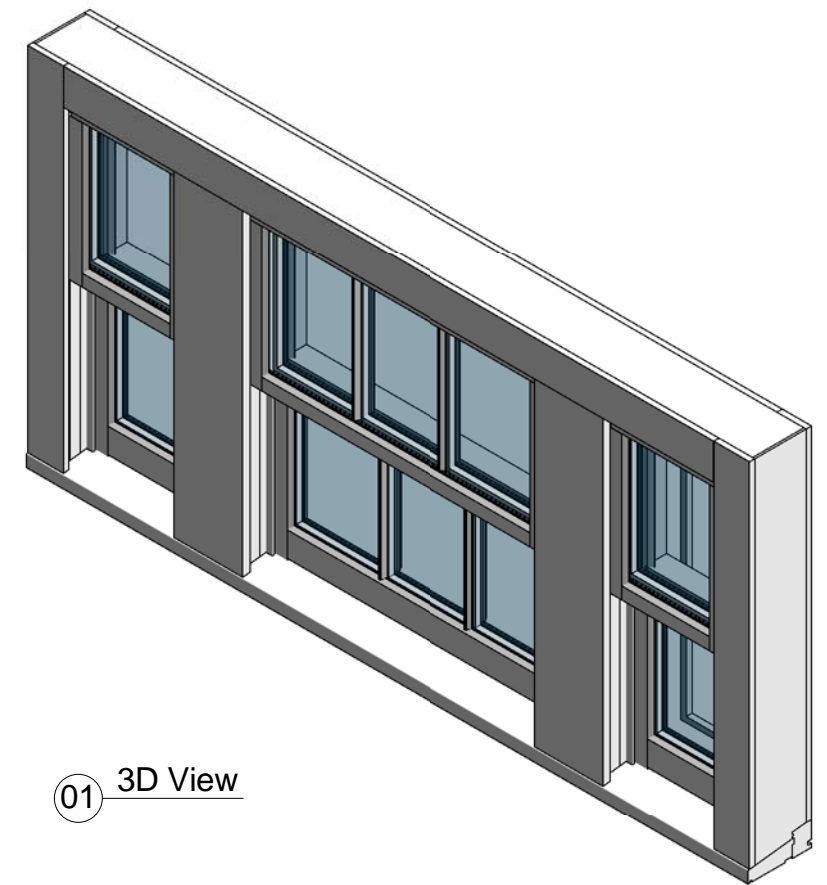
07 Meeting Rail Detail  
1 : 5



08 Cill Detail  
1 : 5




02 Front View  
1 : 12



01 3D View

Window Schedule	
Height	Width
1024	2025

NOTE! ELEVATION DRAWINGS VIEWED EXTERNALLY

 <p>Made-to-order timber windows and doors</p>	Drawing Number B3/55		Drawn By DH
	Scale 1:5, 1:12 & 1:15 @ A4	Revision	Date 26/09/16
	Customer		
	Project Kensington & Chelsea Box Sash Window		
T 01277 353857 <a href="http://www.lomaxwood.co.uk">www.lomaxwood.co.uk</a>		© COPYRIGHT 2016 LOMAX-WOOD. ALL RIGHTS RESERVED	