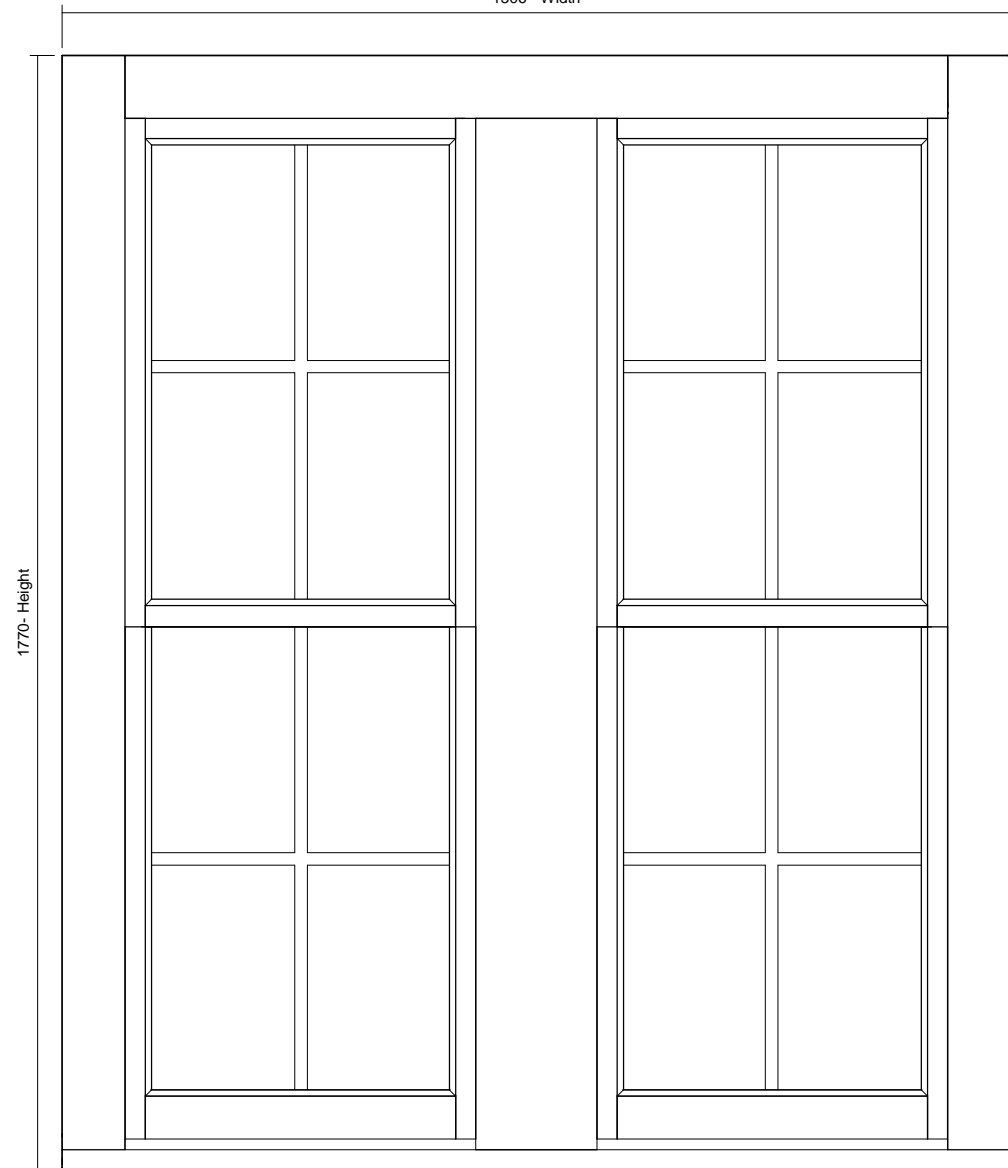


03 Jamb Detail
1:5

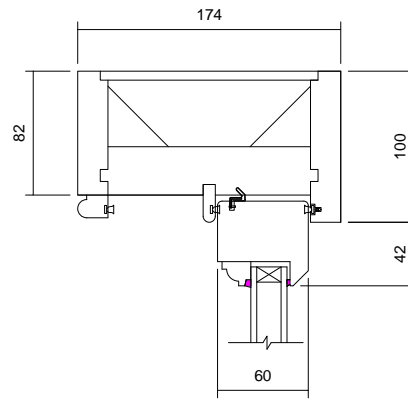
04 Mullion Detail
1:5

05 Glazing Bar Detail
1:5

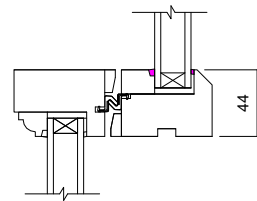


02 Front View
1:12

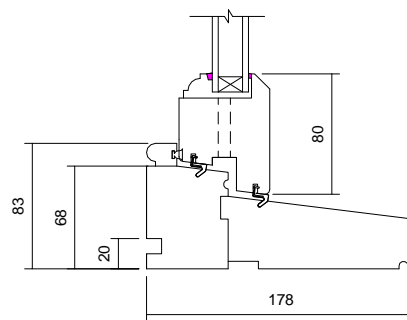
Window Schedule	
Height	Width
1770	1506



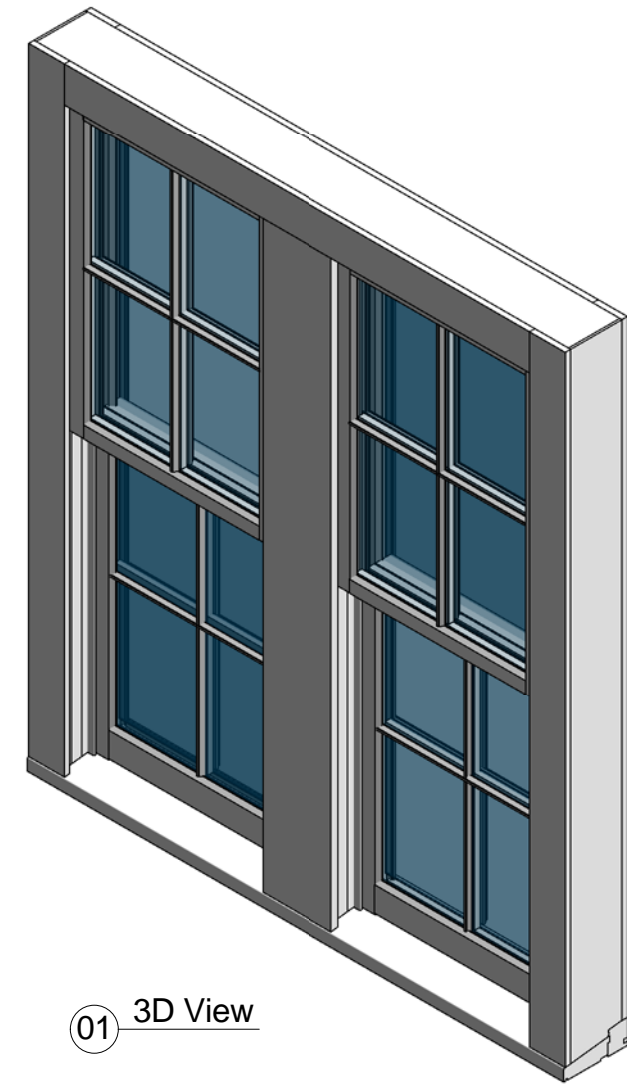
06 Head Detail
1:5



07 Meeting Rail Detail
1:5




08 Cill Detail
1:5



01 3D View

NOTE! ELEVATION DRAWINGS VIEWED EXTERNALLY

 <p>Made-to-order timber windows and doors</p>	Drawing Number B2/44		Drawn By DH
	Scale 1:5, 1:12 & 1:15 @ A4	Revision	Date 26/09/16
	Customer		
	Project TBC		
T 01277 353857 www.lomaxwood.co.uk © COPYRIGHT 2016 LOMAX-WOOD. ALL RIGHTS RESERVED			