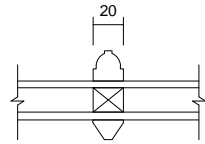
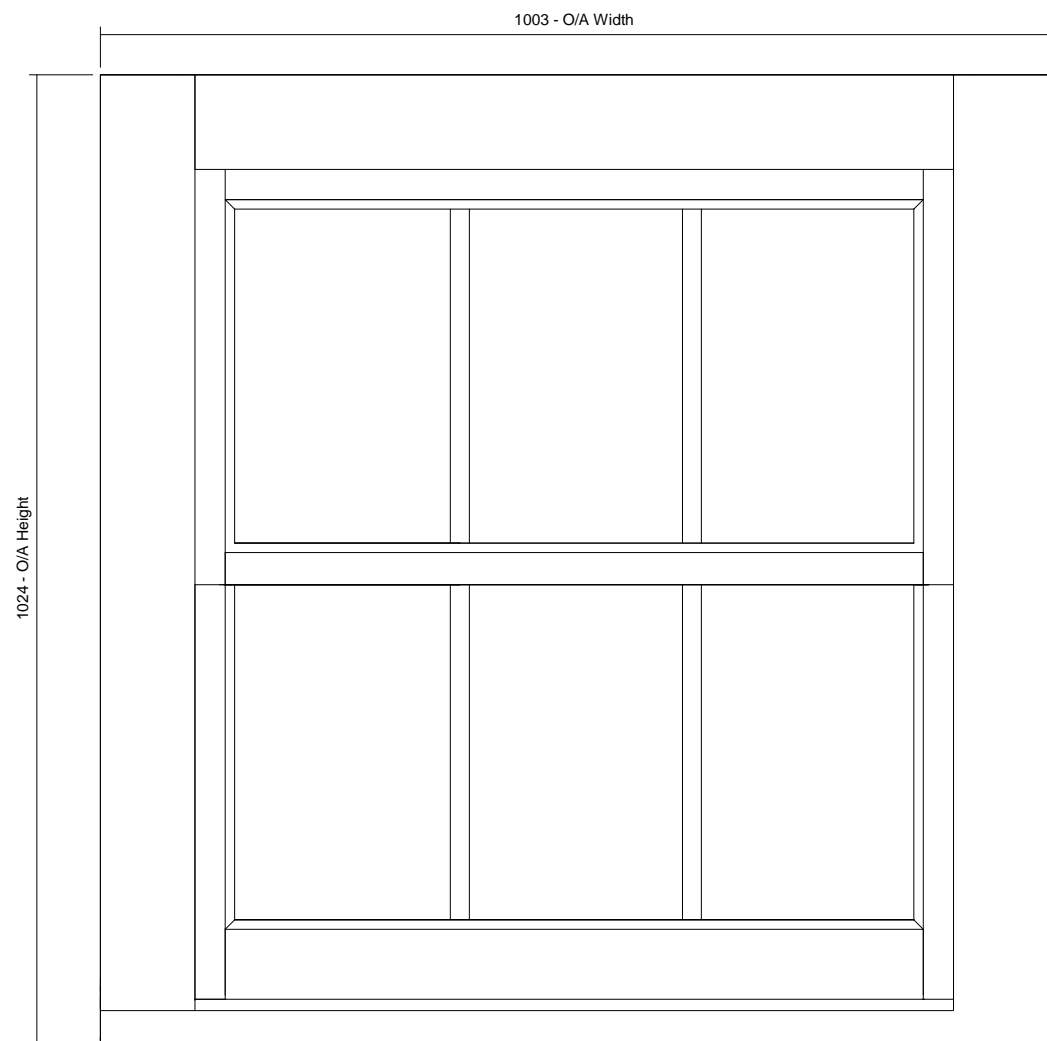


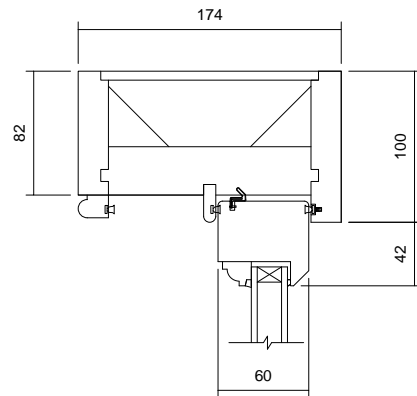
03 Jamb Detail
1 : 5



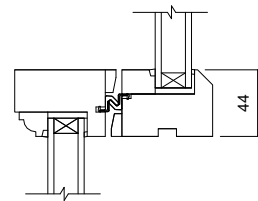
04 Glazing Bar Detail
1 : 5



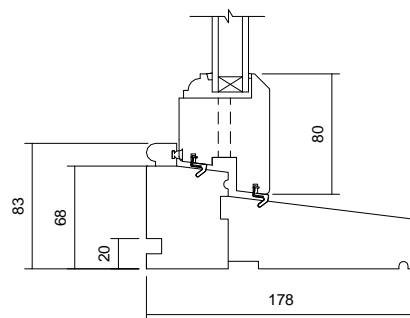
02 Front View
1 : 8



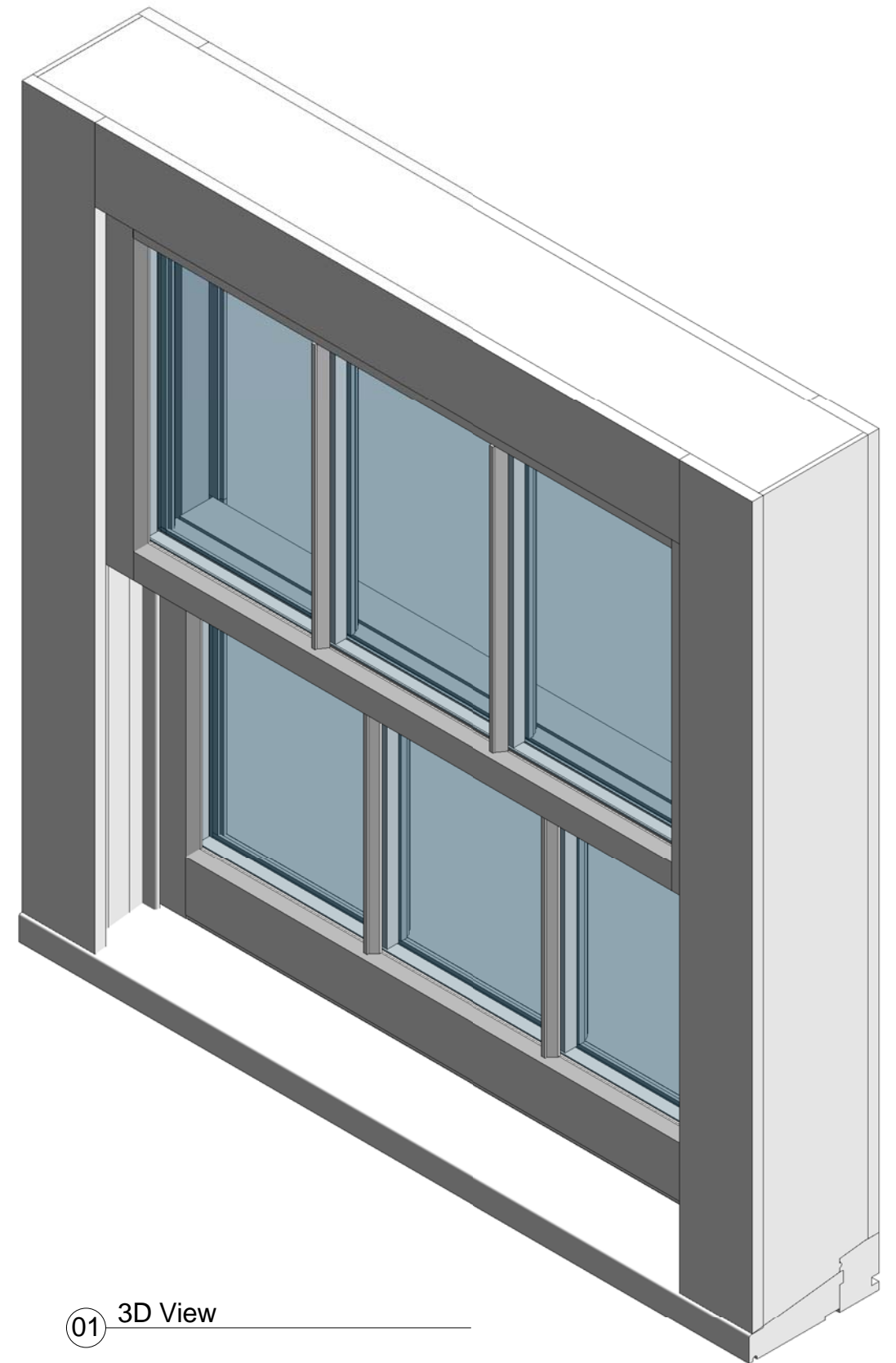
05 Head Detail
1 : 5



06 Meeting Rail Detail
1 : 5



07 Cill Detail
1 : 5



01 3D View

| Window Schedule | |
|-----------------|-------|
| Height | Width |
| 1024 | 1003 |

NOTE! ELEVATION DRAWINGS VIEWED EXTERNALLY

| | | | |
|---|---------------------------------|--|------------------|
|  <p>Made-to-order timber windows and doors</p> | Drawing Number B1/33V | | Drawn By DH |
| | Scale 1:5, 1:6 & 1:8 @ A4 | Revision | Date 26/09/16 |
| | Customer | | |
| | Project Box Sash 1024 x 1003 | | |
| T 01277 353857 www.lomaxwood.co.uk | | © COPYRIGHT 2016 LOMAX-WOOD. ALL RIGHTS RESERVED | |