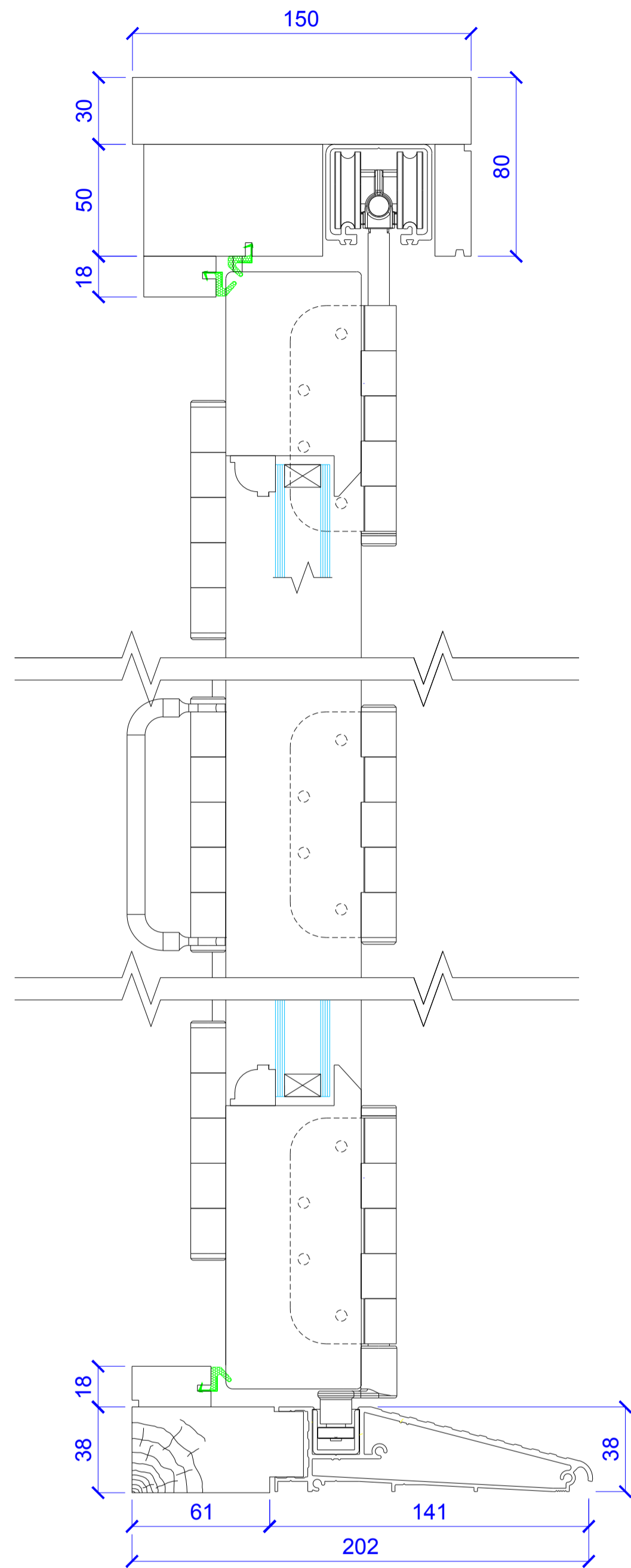
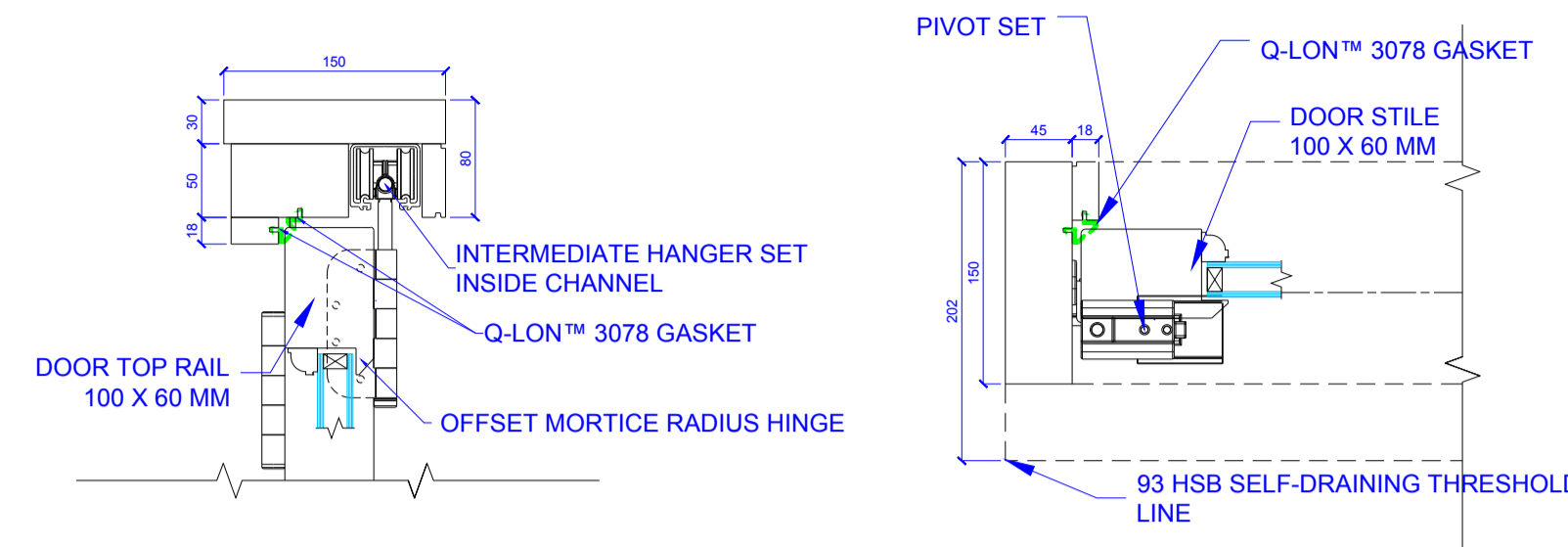


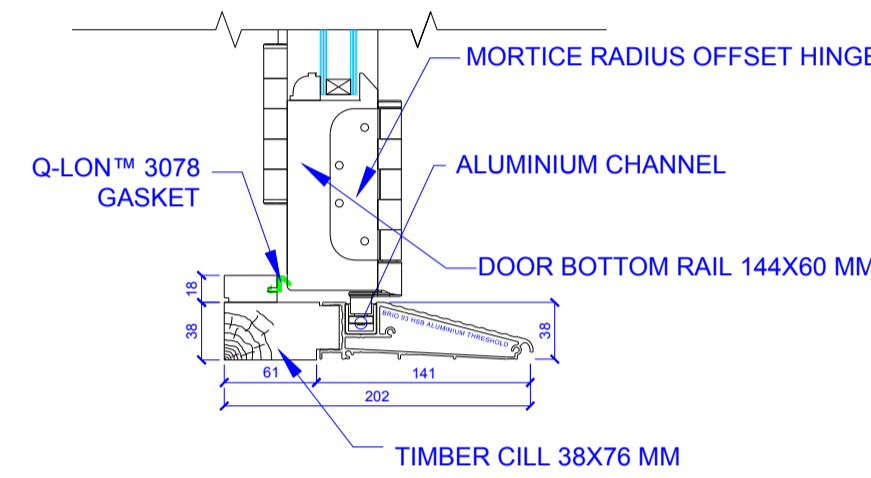
SECTION 1:2 @A1



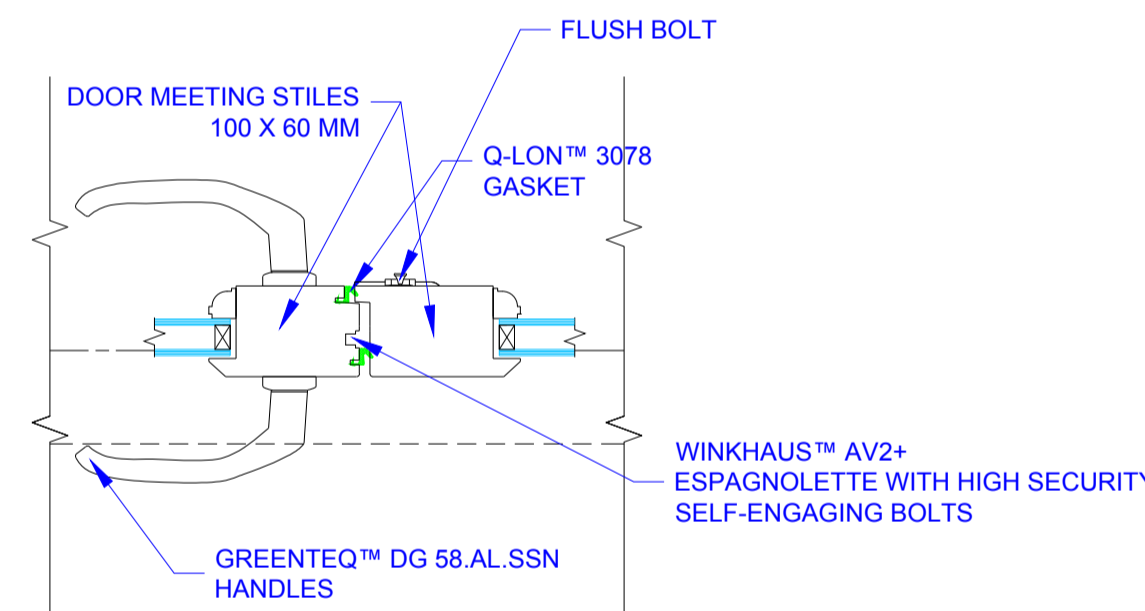
DETAIL A 1:5 @A1



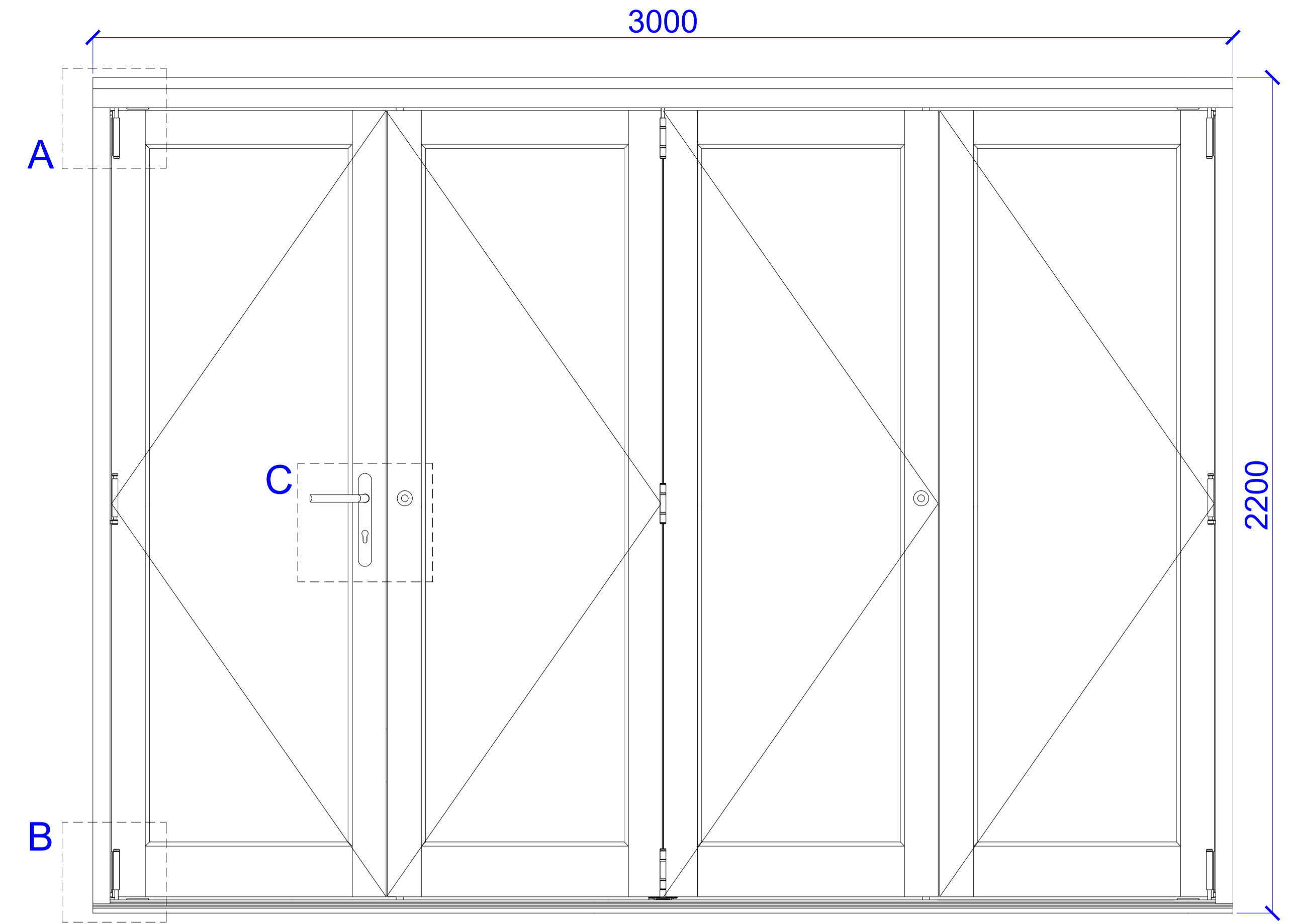
DETAIL B 1:5 @A1



DETAIL C 1:5 @A1



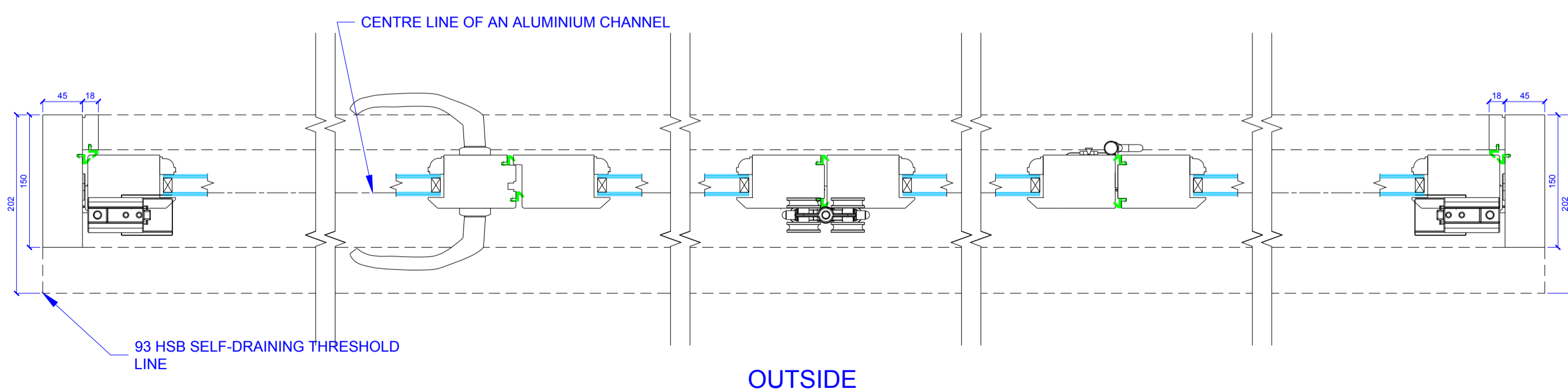
PLANS 1:5 @A1



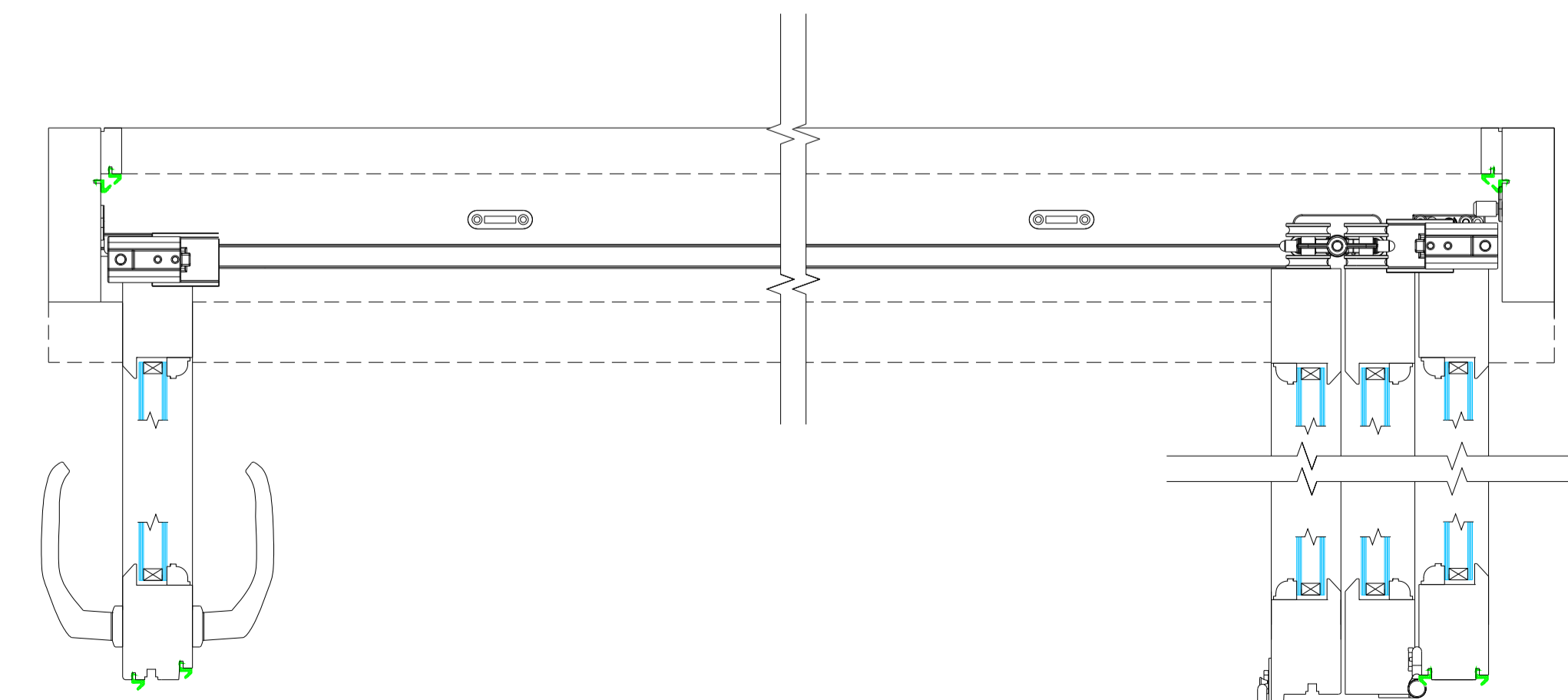
**KENSINGTON & CHELSEA
BI-FOLDING DOORSET OPEN OUTWARDS
(WITH 1NO PERSONEL DOORS)**

SAPELE FRAME, SASH AND CILL
BRIO WEATHERFOLD™ 4S FITTINGS
WITH AN ALUMINIUM 93 HSB SELF-DRAINING THRESHOLD (MILL COLOUR)
3 COAT WHITE FACTORY FINISH
PAINT COLOUR RAL 9010
4MM TGH PLANILUX / 16MM ARGON / 4MM TGH PLANITHERM ULTRA (LOW-E)
WINKHAUS™ AV2+ ESPAG WITH MULTI-POINT LOCKING SYSTEM
GREENTEQ™ HANDLES IN POLISHED CHROME

K&C BI-FOLDING DOORSET OPEN OUTWARDS - CLOSED
BRIO WEATHERFOLD 4S™ FITTINGS
1+3 CONFIGURATION WITH WINKHAUS™ AV2+ ESPAGNOLETTE MULTI-POINT LOCKING SYSTEM



K&C BI-FOLDING DOORSET OPEN OUTWARDS - OPEN
BRIO WEATHERFOLD 4S™ FITTINGS
1+3 CONFIGURATION WITH WINKHAUS™ AV2+ ESPAGNOLETTE MULTI-POINT LOCKING SYSTEM



DRAWING No	LW-KCBFD_01	COMPONENT CODE	N/A
SCALE	1:5/10 @ A1	DRAWN BY	MT
DATE	28/10/2014	REVISION	-
TITLE	K&C BI-FOLDING DOORSET OPEN OUTWARDS 1 NO PERSONEL DOORS (WITH ESPAG)		

Made-to-order
timber
windows
and doors

LOMAX
+WOOD