

Main Index

W Index	Index/Updates.....	A01 - A03
A W	Profiles	
	Specification Pages.....	A04 - A08
	Technical Information.....	A09 - A16
	Scale Profile Drawings.....	A17 - A36
B W	Accessories	
	Photos & Drawings.....	B03 - B35
C W	Sections	
	Standard Scale Elevations.....	C03 - C41
	PAS24 Scale Elevations.....	C42 - C69
D W	Statics	D01 - D02
E W	Construction Drawings	
	Corner Joint Details.....	E03
	Crimping Details.....	E04
	Cill Drainage.....	E05
	Angle Sub Cill.....	E06
	 Open Out	
	Drainage Details.....	E07 - E08
	Single Lock Overview.....	E09
	Lock Details.....	E10 - E13
	Double Door Lock Overview.....	E14
	Double Door using W20048.....	E15
	W20124 Lock Selection.....	E16
	Double Door Thresholds Using W20046.....	E17 - E18
	Low Threshold ACW20270 Detail.....	E19
	Hinge Details.....	E20 - E21
	90° Restrictor Installation.....	E22
	PAS24 Full Requirements.....	E23 - E24

Main Index

Open In	
Drainage Details.....	E26 - E27
Single Lock Overview.....	E28
Lock Details.....	E29 - E32
Double Door Lock Overview.....	E33
Double Door using W20048.....	E34
W0129 Open In Lock Selection.....	E35
Double Door Thresholds Using W21048.....	E36 - E37
Low Threshold ACW20270 Detail.....	E38
Hinge Details.....	E39 - E40
90° Restrictor Installation.....	E41
PAS24 Full Requirements.....	E42- E43
Glazing Chart.....	E45 - E48
W20015 Bay Pole Details.....	E49
W20017 Bay Pole Details.....	E50
Fixing Strap Guide.....	E51

F

W

Sawing Table

Open Out Single Door.....	F03 - F04
Open Out Double Door.....	F05 - F06
Open In Single Door.....	F07 - F08
Open In Double Door.....	F09 - F10
PAS24 Open Out Single Door.....	F11 - F13
PAS24 Open Out Double Door.....	F14 - F15
PAS24 Open In Single Door.....	F16 - F17
PAS24 Open In Double Door.....	F18 - F19

Updates

DATE	PAGE	DESCRIPTION
12-07-17	B.27, E.25 & E.29 C.67 & C.81	Added left and right details for ACW20138 Amended handle details
13-02-18	A12, A25, A27, A29 & E05 B31 & E04	Added Sections W20125N Updated ACW910 to ACW910N
13-03-18	A14	Amended ETC047 lxx and lyy values.
05-09-18	ALL SECTIONS	Added Sections; W20111 - Long Leg Outerframe W20112 - Long Leg Outerframe W20126 - Door Sash with Eurogroove W20131 - Reinforced Tilt and Turn Mullion W20139 - Reinforced Transom / Mullion W20171 - Internal Square Bead W20176 - 36mm Glazing Bead Added Accessories; ACCY4530S1 - 45/30 High Security Cylinder
24-09-20	ALL SECTIONS	Low ramp threshold option added W20124 - Open Out Sash Added W20126 - Open Out Sash Added W20129 - Open In Sash Added W20168 Superseded by W20168N (Check Availability of W20168) W20170 Superseded by W20170N (Check Availability of W20170) W20171 Superseded by W20171N (Check Availability of W20171) PAS24 option for doors added
14-10-20	ALL SECTIONS	ACW20065 has now been superseded by ACW20365 (open out) & ACW20465 (open in) W20271 Removed ACW20061 superseded by ACSM001N ACW20161 superseded by ACSM025L/R ACW20058 superseded by ACCY3545NKTT
03-05-21	ALL SECTIONS ALL SECTIONS	Manual split between Doors and Windows Profiles; W20037 Transom Removed (Check Availability) W20137 Transom Removed (Check Availability) W20124 Lock Back Set Changed from 55mm to 65mm W20126 Sash Removed W20135N renamed to W20135

Specification

DATE	PAGE	DESCRIPTION
		<p>Accessories Added; ACDV746 600mm Shootbolt Extension ACET844 2mm External Low Line Gasket ACPD690 Roller Latch ACSM060 Handle ACSM061 L/R Dummy Handle ACSM062 Handle ACW20065 Lock Re-introduced ACW927 Drill Jig ACW928 Drill Jig</p> <p>Accessories Removed; ACCY4535NKTT Euro Cylinder ACET480 Handle ACW20115 Cleat ACW20116 Cleat ACW20238 Pre-Prepped Lock Box ACW20365 Lock ACW20366 Lock ACW921 Punches</p>

GENERAL DESCRIPTION

The "Alitherm Heritage" door system described in this manual is designed to offer a modern aluminium thermally broken replacement to steel doors. Taking inspiration from traditional steel doors, Alitherm Heritage features signature slim sightlines and attractive aesthetic contours coupled with polyamide thermal break technology giving Alitherm Heritage enhanced thermal performance and narrow sightlines.

The Alitherm Heritage is designed to be built as a series of horizontal or vertical modules which can be stacked using horizontal couplers to form a multi-part door featuring a specially design drip bar between modules.

Applications:

Doors:

- Single open out & open in doors
- Double open out & open in doors

Corner assembly of Alitherm Heritage is crimping only.

Specification

RECOMMENDED DESIGN DOOR LIMITATIONS

Doors

Door Sashes:

Maximum Width: 900mm

Minimum Width: 600mm

Maximum Height: 2100mm

Minimum Height: 1000mm (leaving 3 locking points)

Maximum Weight: 60kg

For advise on door sizes outside of the recommended design limitations, please contact the Technical Department at Smart Systems Ltd Tel: 01934 876100

PROFILE SPECIFICATION

The door frames are constructed of aluminium alloy extrusion to BS EN 755-9 and BS EN 12020, extruded to 6063 T6 alloy. The internal and external extrusions are separated with a polyamide thermal break.

The external aluminium alloy extrusion is pre-treated and finished either:-

Anodised to BS 3987: 1987, grade AA25 to a natural self colour.

- a) Anodised to BS 3987 : 1987, grade AA25 to a natural colour.
- b) Polyester powder organic coating to BS 6496. Dual colour is available.

GENERAL MANUFACTURING

Outer and vent frames are made by cutting the frame profiles with accurate 45° mitred ends using Tungsten Carbide Tipped Saw Blades, operating at approximately 3000 rpm.

The corners are joined using the Alitherm Heritage crimping tools to form a cold forged corner joint (made by deforming small slugs of metal into the groove of the corner cleat).

The ends of transoms and mullions are profiled to fit the frame and fixed using self-tapping screws with a small joint sealant.

On polyester powder coated finishes, great care should be taken to avoid getting gap sealer on visible surfaces and should be removed as soon as possible with a clean cloth.

Care should be exercised when using products not supplied by Smart Systems Ltd as no responsibility can be accepted.

Specification

DOOR DRAINAGE

As with all dry glazed systems, it is recommended that the door system is adequately drained and ventilated. Refer to drainage details in manual, if in doubt ask The Technical Department.

OUTER FRAME MANUFACTURING INFORMATION

The outer frame members are cut with 45° mitred ends to the overall size required, measured to the longest point of the metal.

Prior to corner crimping the centre line position of any transoms or mullions should be marked on the outer frame members. Where the transom/mullion runs right through, it should be marked out on both jambs or head and cill members in pairs to ensure accurate alignment of the sections.

Using the marked centre line, Drill the transom/mullion fixing holes using a 5mm dia. drill bit.

Corners are formed by coating the cut faces to be joined with a suitable small gap sealer. Into the mitred corner insert the cleat glue and the required corner cleats and, where required, the aluminium corner chevrons. The two mitred ends are then brought together and crimped. The small gap sealer ensures a permanent joint and guards against the ingress of moisture and joint movement. After crimping the corner joint, special care should be taken to ensure any excess sealer is removed from painted surfaces.

Transoms or mullions are cut with square ends to the sizes calculated on the cutting formula sheets. The ends are then profiled to allow them to fit into the outer frame. Special tooling is available on request to profile the end of transom/mullion.

Prior to fixing of transoms and mullions smear the cut ends with a suitable small gap sealer. After fixing, special care should be taken to ensure any excess is cleared from painted surfaces.

SASH

Corners are formed by coating the cut faces to be joined with a suitable gap sealer. In the mitred corner insert the cleat glue and the required corner cleats and chevrons. The mitred ends are then brought together and crimped. The small gap sealer ensures a permanent joint and guards against the ingress of moisture and joint movement. Care should be taken to ensure any excess sealer is removed from the surfaces.

The cutting sizes produce sash frames with a cavity of 13mm.

When fixing, the friction stays into both the outer and vent frame, care should be taken to ensure that holes are located on 'V' grooves in the aluminium extrusions.

Specification

INTERNALLY BEADED ADAPTOR FRAME

The internally beaded adaptor frame members are cut with 45° mitred ends to the overall size required, measured to the longest point of metal. Care should be taken when measuring and cutting the frame members as only nominal clearance is required when the assembled frame is fixed in the outer frame.

Corners are formed by coating the cut faces to be joined with a suitable small gap sealer. Into the mitred corner insert the cleat glue and a corner cleat and the required corner chevrons. The small gap sealer ensures a permanent joint and guards against the ingress of moisture and joint movements. Care should be taken to ensure any excess sealer is removed from painted surfaces.

GLAZING

All beads are cut to suit the glazing aperture on the fully assembled door for glazing either at factory or on site as required.

EXTERNALLY BEADED GLAZING

Glazing beads are fitted to openings by cutting the horizontal beads square to head and cill of each sash. Vertical beads are cut at 45° or 90° both ends. Insert bottom beads and two setting blocks to ensure glass will be centralized in vertical dimension of opening (glazing blocks must be full width of cavity to fully support glass or sealed unit), then insert top bead followed by side beads. Finish glazing by insertion of internal gaskets all round.

INTERNALLY BEADED GLAZING

Glazing beads are fitted to openings by cutting the horizontal beads square to head and cill of each sash and reverse adaptor area. Vertical beads are cut square at both ends. Insert bottom beads and two setting blocks to ensure glass will be centralized in vertical dimension of opening (glazing blocks must be full width of cavity to fully support glass or sealed unit), then insert top bead followed by side beads. Finish glazing by insertion of internal gaskets all round.

Alitherm Heritage Door U Values

Please refer to the Smart Systems' Document L White Paper or contact the Technical Department.

Specification

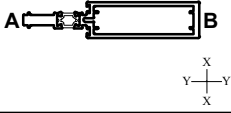
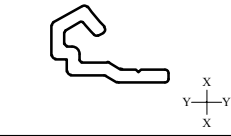
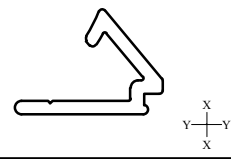
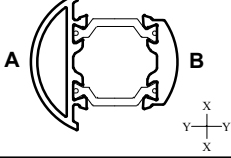
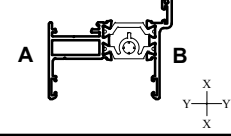
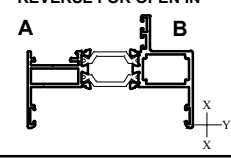
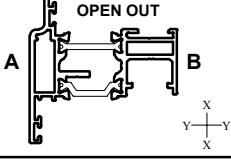
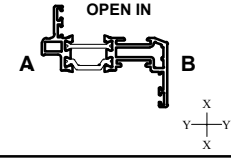
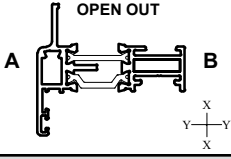
PROFILES : TECHNICAL INFORMATION

Number	Picture	Page	Perim. mm	Mec. mm	lx(cm4) wx(cm3)	ly(cm4) wy(cm3)	Length	Pack pr.	MF	SA	KL	HP	M
W20015	<p>REVERSE FOR OPEN IN</p>	A17	255	60	8.08 ----- 2.91	1.43 ----- 1.21	6.5	1	✓	✓	✓	✓	✓
W20016		A17	300	77	10.26 ----- 3.72	2.59 ----- 1.1	6.5	1	✓	✓	✓	✓	✓
W20017	<p>REVERSE FOR OPEN IN</p>	A17	297	74	27.70 ----- 6.35	2.37 ----- 2.41	6.5	1	✓	✓	✓	✓	✓
W20027	<p>OPEN OUT</p>	A19	321	74	10.10 ----- 3.24	2.43 ----- 1.08	6.5	1	✓	✓	✓	✓	✓
W20038		A22	453	156	11.55 ----- 3.85	4.84 ----- 2.41	6.5	1	✓	✓	✓	✓	✓
W20039		A24	479	173	28.96 ----- 5.67	5.79 ----- 2.00	6.5	1	✓	✓	✓	✓	✓
W20046	<p>OPEN OUT (W20124)</p>	A23	284	101	12 ----- 3.75	5.08 ----- 2.54	6.5	1	✓	✓	✓	✓	✓
W20048N	<p>OPEN OUT (W20027)</p>	A23	310	78	11.55 ----- 3.55	4.84 ----- 2.41	6.5	1	✓	✓	✓	✓	✓
W20051		A25	296	272	53.54 ----- 9.88	4.77 ----- 3.56	6.5	1	✓	✓	✓	✓	✓

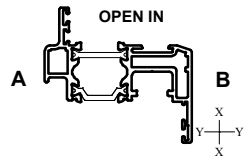
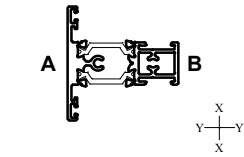
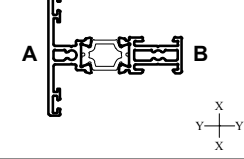
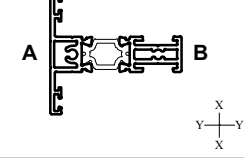
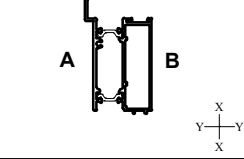
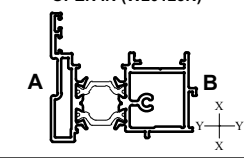
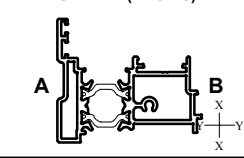
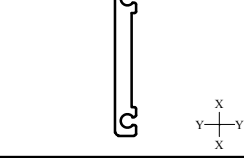
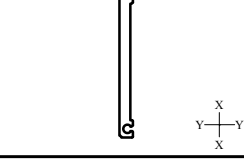
A = Outside
B = Inside

MF = Mill Finish
SA = Silver Anodised
KL = Basic Colour
HP = Special Colour
M = Dual Colour

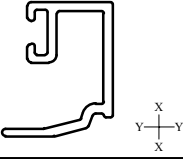
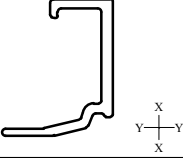
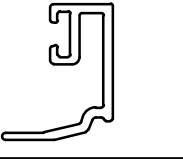
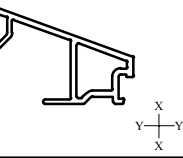
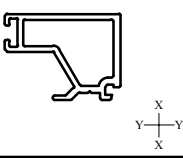
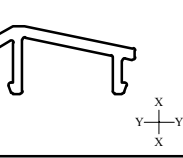
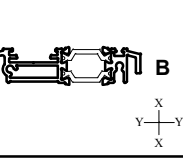
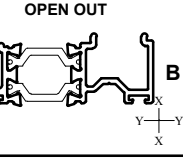
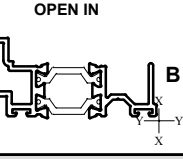
PROFILES : TECHNICAL INFORMATION

Number	Picture	Page	Perim. mm	Mec. mm	lx(cm4) wx(cm3)	ly(cm4) wy(cm3)	Length	Pack pr.	MF	SA	KL	HP	M	
W20054		A25	376	206	146.55 ----- 19.89	8.24 ----- 6.15	6.5	1	✓	✓	✓	✓	✓	
W20065		A25	57	10	- ----- -	- ----- -	5	1	✓	✓	✓	✓		
W20066		A25	74	15	- ----- -	- ----- -	5	1	✓	✓	✓	✓		
W20069		A35	192	71	5.05 ----- 2.55	2.00 ----- 1.12	5	1	✓	✓	✓	✓	✓	
W20111	REVERSE FOR OPEN IN 	A18	301	100	10.81 ----- 4.00	3.15 ----- 1.37	6.5	1	✓	✓	✓	✓	✓	
W20112	REVERSE FOR OPEN IN 	A18	340	113	22.77 ----- 6.14	3.48 ----- 1.50	6.5	1	✓	✓	✓	✓	✓	
W20124	OPEN OUT 	A19	314	90	12.38 ----- 3.99	4.81 ----- 1.80	6.5	1	✓	✓	✓	✓	✓	
W20125N	OPEN IN 	A20	321	88	14.15 ----- 4.40	2.7 ----- 1.2	6.5	1	✓	✓	✓	✓	✓	
W20127	OPEN OUT 	A19	307	74	12.74 ----- 4.68	2.27 ----- 1.00	6.5	1	✓	✓	✓	✓	✓	
									A = Outside B = Inside		MF = Mill Finish SA = Silver Anodised KL = Basic Colour HP = Special Colour M = Dual Colour			

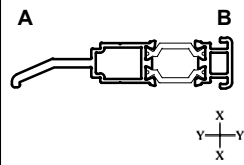
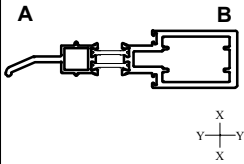
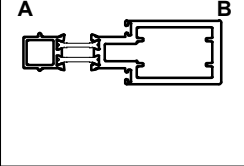
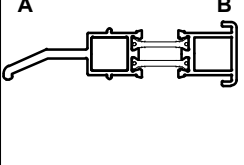
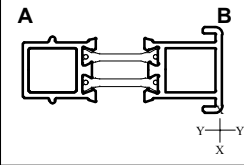
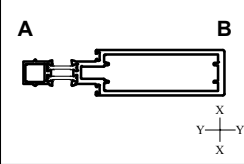
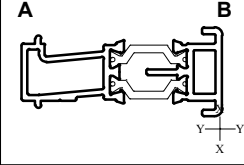
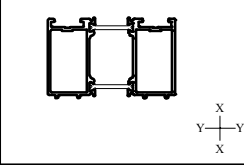
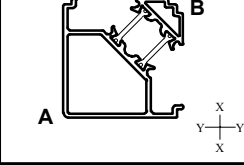
PROFILES : TECHNICAL INFORMATION

Number	Picture	Page	Perim. mm	Mec. mm	lx(cm4) wx(cm3)	ly(cm4) wy(cm3)	Length	Pack pr.	MF	SA	KL	HP	M	
W20129		A20	365	74	17.01 ----- 5.31	4.54 ----- 1.78	6.5	1	✓	✓	✓	✓	✓	
W20133		A22	258	94	9.94 ----- 3.43	2.89 ----- 1.2	6.5	1	✓	✓	✓	✓	✓	
W20135		A21	270	64	7.37 ----- 4.12	1.82 ----- 0.86	6.5	1	✓	✓	✓	✓	✓	
W20136		A21	270	64	7.37 ----- 4.12	1.82 ----- 0.86	6.5	1	✓	✓	✓	✓	✓	
W20138		A23	434	154	12.69 ----- 5.36	27.16 ----- 7.18	6.5	1	✓	✓	✓	✓	✓	
W20148		A24	341	84	13.64 ----- 4.29	5.56 ----- 2.97	6.5	1	✓	✓	✓	✓	✓	
W20149		A24	342	85	14.08 ----- 4.24	5.13 ----- 2.67	6.5	1	✓	✓	✓	✓	✓	
W20165		A27	68	32	- ----- -	- ----- -	4	1	✓	✓	✓	✓		
W20166		A27	100	48	- ----- -	- ----- -	4	1	✓	✓	✓	✓		
									A = Outside B = Inside		MF = Mill Finish SA = Silver Anodised KL = Basic Colour HP = Special Colour M = Dual Colour			

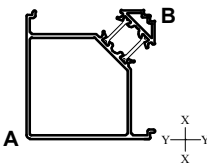
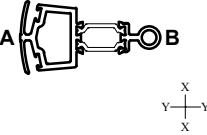
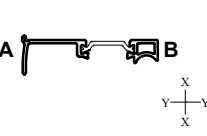
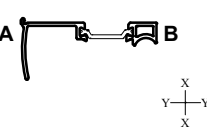
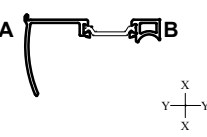
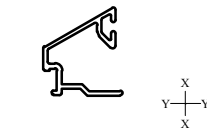
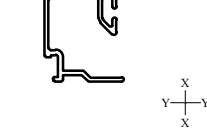
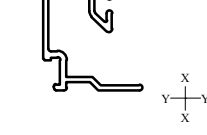

PROFILES : TECHNICAL INFORMATION

Number	Picture	Page	Perim. mm	Mec. mm	lx(cm4) wx(cm3)	ly(cm4) wy(cm3)	Length	Pack pr.	MF	SA	KL	HP	M	
W20168N		A29	104	27	- ----	- ----	5	1	✓	✓	✓	✓		
W20170N		A29	77	25	- ----	- ----	4	1	✓	✓	✓	✓		
W20171N		A29	99	22	- ----	- ----	4	1	✓	✓	✓	✓		
W20172		A29	128	48	- ----	- ----	6.5	1	✓	✓	✓	✓		
W20173		A29	105	50	- ----	- ----	6.5	1	✓	✓	✓	✓		
W20175		A27	69	23	- ----	- ----	4	1	✓	✓				
W20270		A33	283	39.5	13.1 ----	0.57 ----	6.5	1		✓				
W20272		A33	205	24.9	4.35 ----	0.54 ----	6.5	1	✓	✓	✓	✓	✓	
W20274		A33	219	23.1	8.07 ----	1.09 ----	6.5	1	✓	✓	✓	✓	✓	
									A = Outside B = Inside		MF = Mill Finish SA = Silver Anodised KL = Basic Colour HP = Special Colour M = Dual Colour			

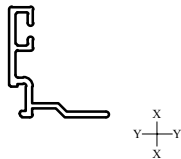
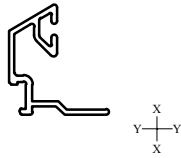
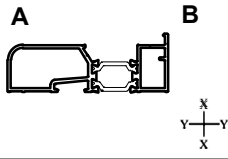
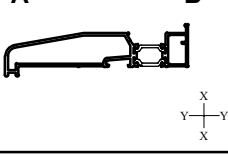
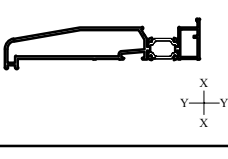
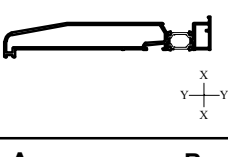
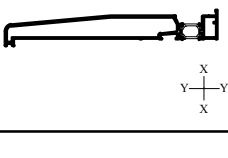
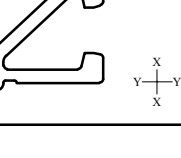
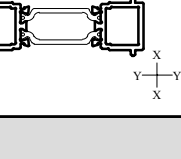
PROFILES : TECHNICAL INFORMATION

Number	Picture	Page	Perim. mm	Mec. mm	lx(cm4) wx(cm3)	ly(cm4) wy(cm3)	Length	Pack pr.	MF	SA	KL	HP	M	
W20485		A31	259	222	21.12 ----- 4.67	0.76 ----- 0.87	6.5	1	✓	✓	✓	✓	✓	
W20486		A31	374	198	94.15 ----- 12.25	6.57 ----- 4.45	6.5	1	✓	✓	✓	✓	✓	
W20487		A31	312	135	50.37 ----- 8.96	6.47 ----- 4.31	6.5	1	✓	✓	✓	✓	✓	
W20488		A31	272	111	22.30 ----- 4.84	1.01 ----- 0.94	6.5	1	✓	✓	✓	✓	✓	
W20489		A31	209	47	8.06 ----- 2.81	0.92 ----- 0.81	6.5	1	✓	✓	✓	✓	✓	
W20490		A32	366	218	142.14 ----- 18.83	10.86 ----- 7.24	6.5	1	✓	✓	✓	✓	✓	
W20492		A32	180	23	8.63 ----- 3.02	0.88 ----- 0.77	6.5	1	✓	✓	✓	✓	✓	
DV515		A28	356	85	27.16 ----- 7.76	14.38 ----- 6.75	6.5	1	✓	✓	✓	✓	✓	
ETC047		A26	276	115	11.68 ----- 4.67	11.68 ----- 4.77	6.5	1	✓	✓	✓	✓	✓	
									A = Outside B = Inside		MF = Mill Finish SA = Silver Anodised KL = Basic Colour HP = Special Colour M = Dual Colour			

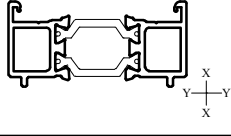
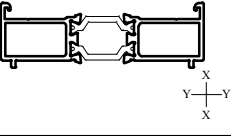
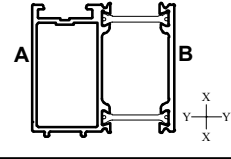
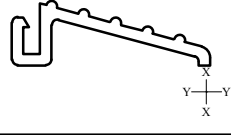
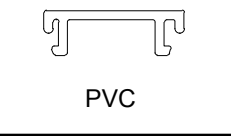
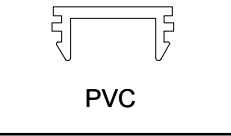
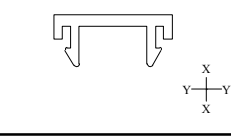
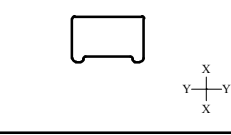
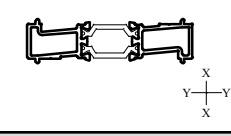
PROFILES : TECHNICAL INFORMATION

Number	Picture	Page	Perim. mm	Mec. mm	Ix(cm4) wx(cm3)	Iy(cm4) wy(cm3)	Length	Pack pr.	MF	SA	KL	HP	M	
ETC048		A26	414	152	42.64 ----- 11.72	42.64 ----- 11.81	6.5	1	✓	✓	✓	✓	✓	
ETC080		A36	334	61	25.58 ----- 5.47	4.88 ----- 2.57	6.5	1	✓	✓	✓	✓	✓	
ETC081		A36	197	35	13.85 ----- 3.8	0.36 ----- 0.52	6.5	1	✓	✓	✓	✓	✓	
ETC082		A36	221	47	16.21 ----- 4.19	1.15 ----- 1.29	6.5	1	✓	✓	✓	✓	✓	
ETC083		A36	243	58	17.66 ----- 4.32	2.64 ----- 2.36	6.5	1	✓	✓	✓	✓	✓	
ETC364		A30	122	28	- ----- -	- ----- -	6.5	1	✓	✓	✓	✓		
ETC370		A30	141	32	- ----- -	- ----- -	6.5	1	✓	✓	✓	✓		
ETC371		A30	133	28	- ----- -	- ----- -	6.5	1	✓	✓	✓	✓		
ETC375		A30	112	22	- ----- -	- ----- -	6.5	1	✓	✓	✓	✓		
									A = Outside B = Inside		MF = Mill Finish SA = Silver Anodised KL = Basic Colour HP = Special Colour M = Dual Colour			

PROFILES : TECHNICAL INFORMATION

Number	Picture	Page	Perim. mm	Mec. mm	lx(cm4) wx(cm3)	ly(cm4) wy(cm3)	Length	Pack pr.	MF	SA	KL	HP	M	
ETC376		A30	100	20	- ----- -	- ----- -	6.5	1	✓	✓	✓	✓		
ETC379		A30	112	21	- ----- -	- ----- -	6.5	1	✓	✓	✓	✓		
ETC451		A34	271	180	32.44 ----- 7.29	3.46 ----- 2.79	6.5	1	✓	✓	✓	✓	✓	
ETC452		A34	414	382	122.46 ----- 18.03	6.01 ----- 3.34	6.5	1	✓	✓	✓	✓	✓	
ETC457		A34	444	412	163.27 ----- 21.60	6.79 ----- 3.73	6.5	1	✓	✓	✓	✓	✓	
ETC458		A35	524	492	313.62 ----- 32.63	8.87 ----- 4.79	6.5	1	✓	✓	✓	✓	✓	
ETC479N		A35	594	559	501.64 ----- 44.04	9.72 ----- 5.34	6.5	1	✓	✓	✓	✓	✓	
ETC572		A24	82	39	- ----- -	- ----- -	6.5	1	✓	✓	✓	✓		
ETC853		A32	219	53.7	23.28 ----- 6.65	1.94 ----- 1.43	6.5	1	✓	✓	✓	✓	✓	
									A = Outside B = Inside		MF = Mill Finish SA = Silver Anodised KL = Basic Colour HP = Special Colour M = Dual Colour			

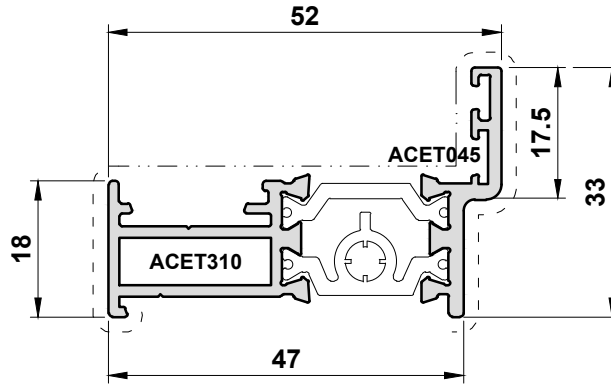
PROFILES : TECHNICAL INFORMATION

Number	Picture	Page	Perim. mm	Mec. mm	Ix(cm4) wx(cm3)	Iy(cm4) wy(cm3)	Length	Pack pr.	MF	SA	KL	HP	M	
ETD056		A28	204.8	172	6.31 ----- 2.69	0.82 ----- 0.77	6.5	1	✓	✓	✓	✓	✓	
ETD057		A28	250.8	217	16.30 ----- 4.66	1.12 ----- 1.07	6.5	1	✓	✓	✓	✓	✓	
ETD058		A28	294	85	9.92 ----- 4.22	7.25 ----- 3.4	6.5	1	✓	✓	✓	✓	✓	
EUD03		A33	113	39	- ----- -	- ----- -	4	1	✓	✓				
PCX41		A27	65	-	- ----- -	- ----- -	6.5	1	✓					
PCX49		A24	83	-	- ----- -	- ----- -	6.5	1	✓					
PCX50		A24	84	-	- ----- -	- ----- -	6.5	1	✓					
SPD750		A27	31	10	- ----- -	- ----- -	6.5	1	✓	✓	✓	✓		
UN3000		A32	200	43.24	15.8 ----- 4.51	0.79 ----- 0.84	6.5	1	✓	✓	✓	✓	✓	
									A = Outside B = Inside		MF = Mill Finish SA = Silver Anodised KL = Basic Colour HP = Special Colour M = Dual Colour			

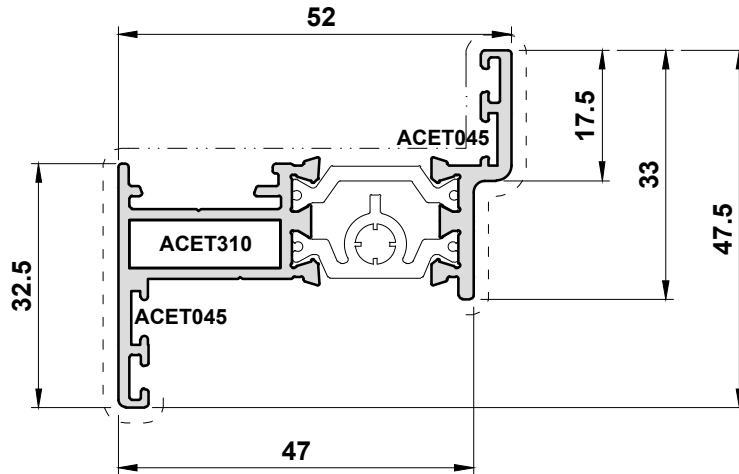
Primary Visible Side

Secondary Visible Side

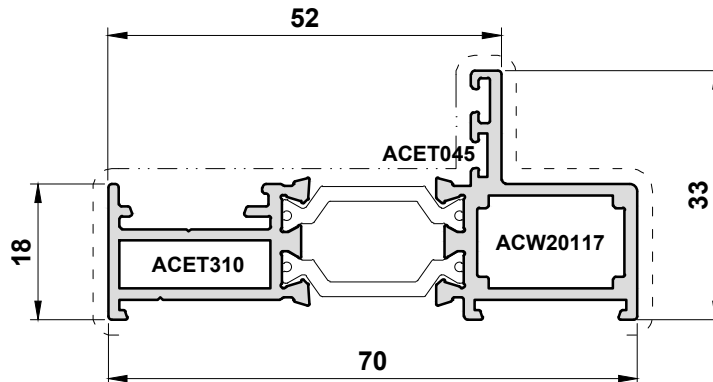
W20015
Outer Frame



W20016
Odd Leg Outer Frame



W20017
70mm Outer Frame

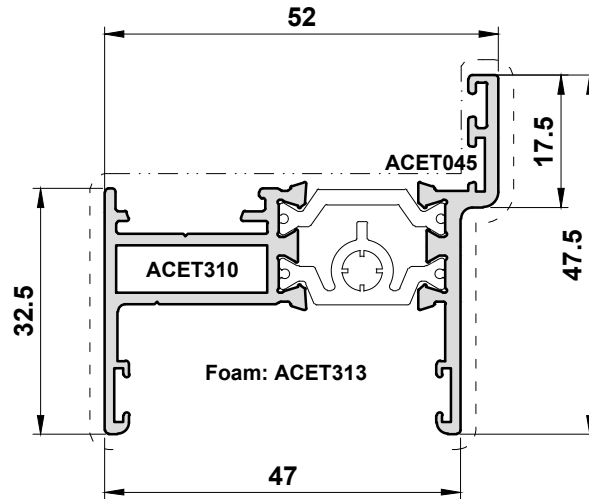


Scale 1:1

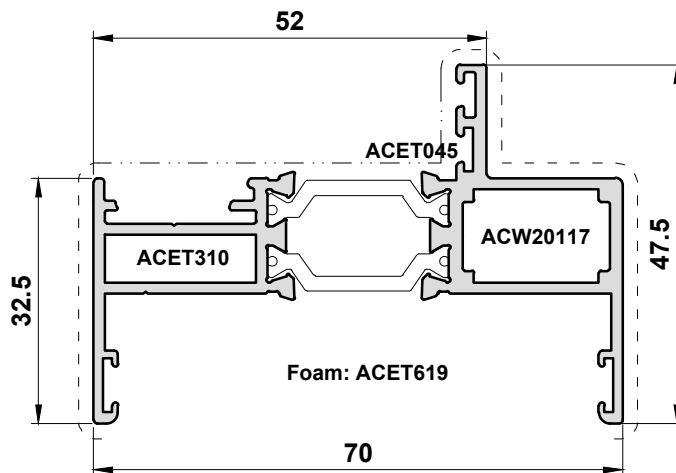
Primary Visible Side

Secondary Visible Side

W20111 47mm Long Leg Outer Frame



W20112 70mm Long Leg Outer Frame

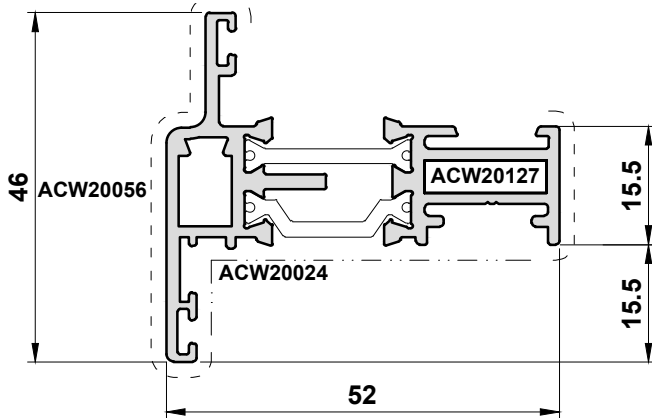


Scale 1:1

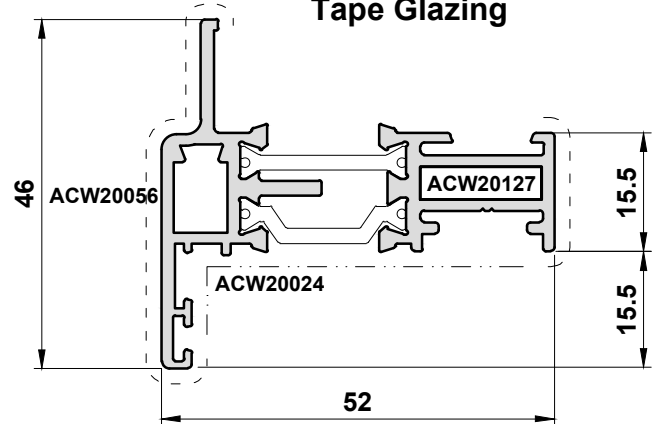
Primary Visible Side

Secondary Visible Side

W20027
Open Out Door Sash

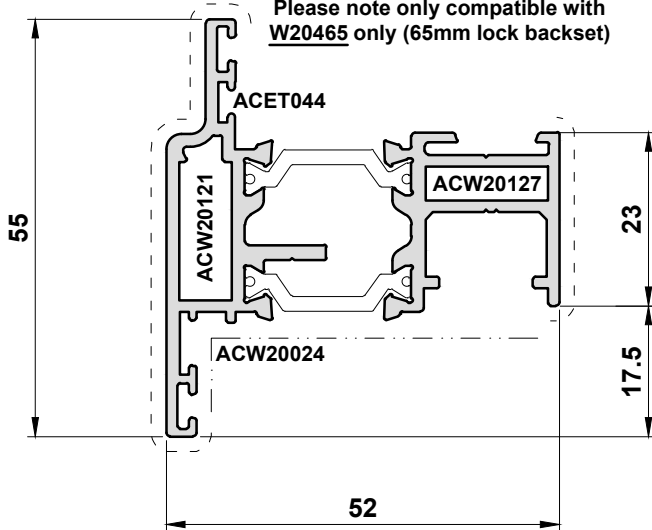


W20127
Open Out Door Sash -
Tape Glazing



W20124
Open Out Door Sash
with Eurogroove

Please note only compatible with
W20465 only (65mm lock backset)

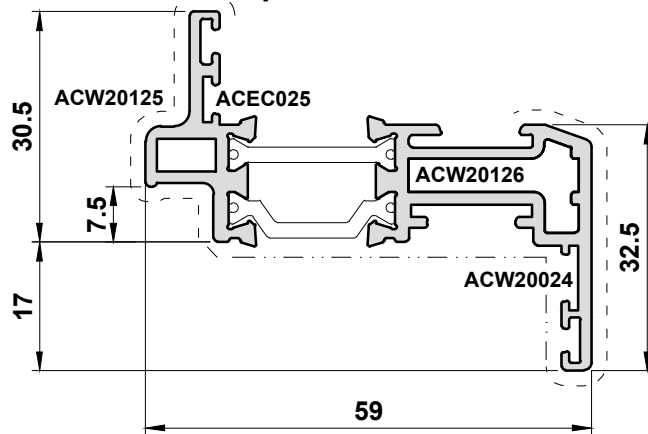


Scale 1:1

Primary Visible Side

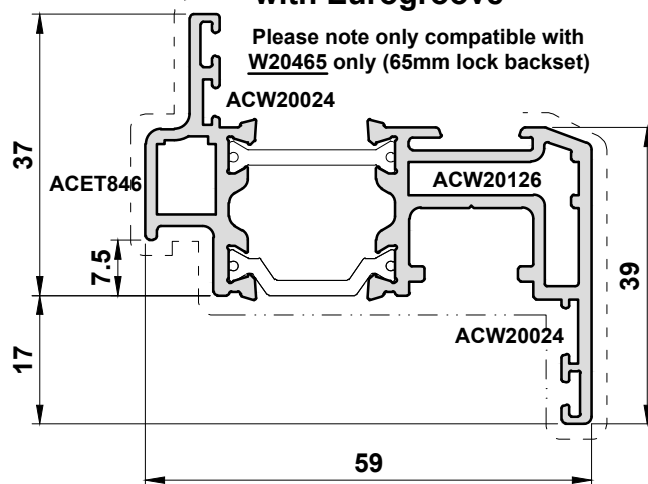
Secondary Visible Side

W20125N
Open In Door Sash



W20129
Open In Door Sash
with Eurogroove

Please note only compatible with
W20465 only (65mm lock backset)

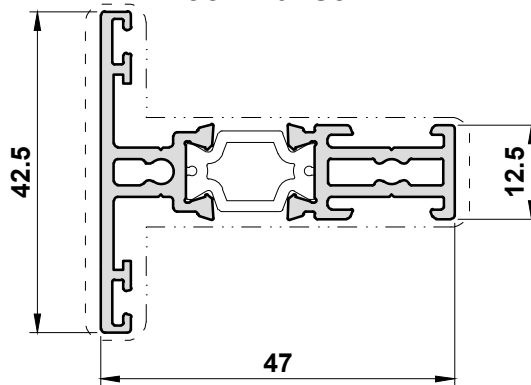


Scale 1:1

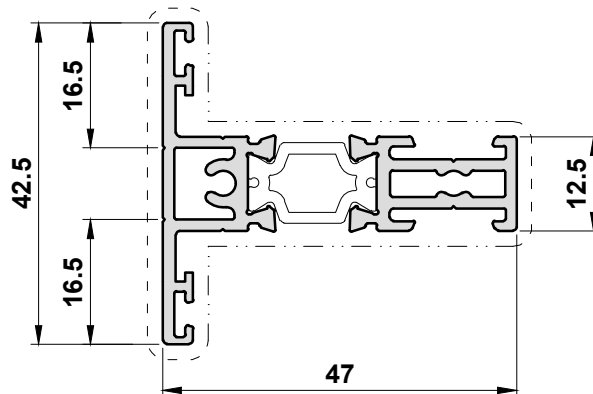
Primary Visible Side

Secondary Visible Side

W20135 Door Transom



W20136 Door Transom with 'V' Grooves

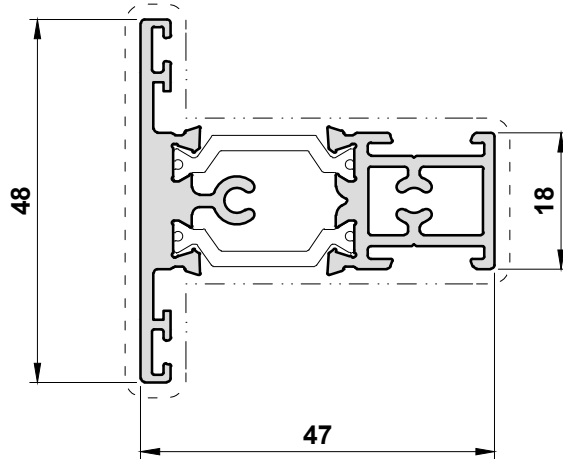


Scale 1:1

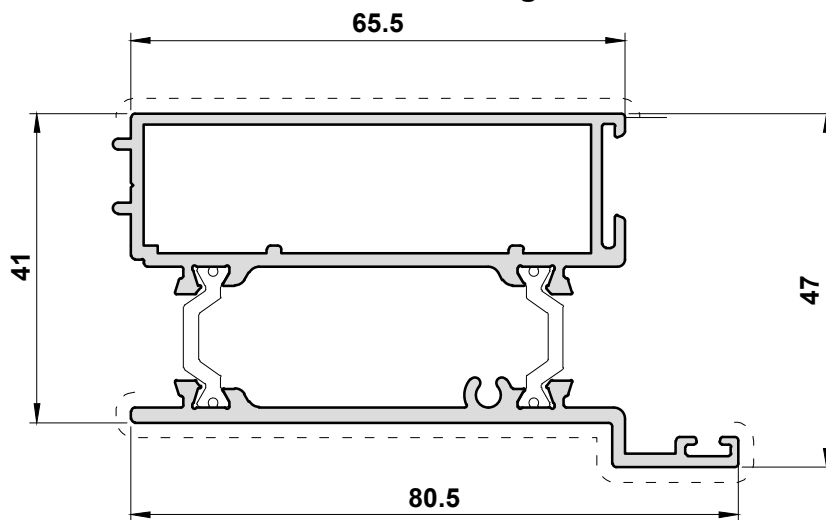
Primary Visible Side

Secondary Visible Side

W20133 Dummy Transom



W20038 Door Lock Housing

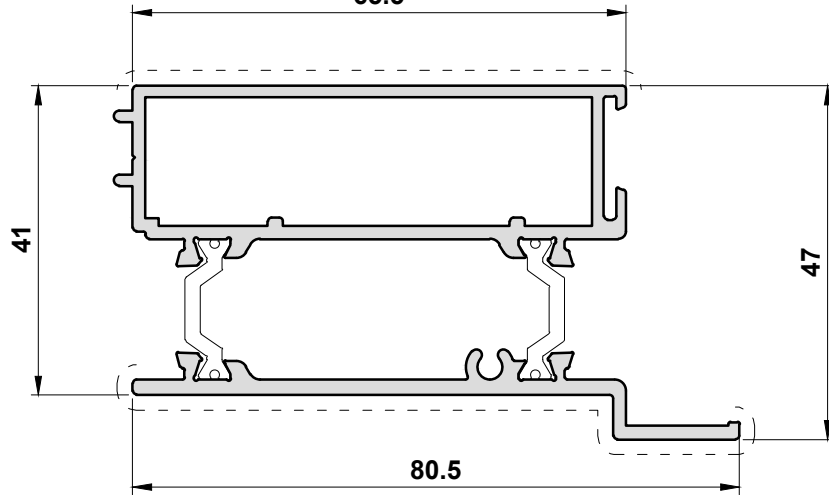


Scale 1:1

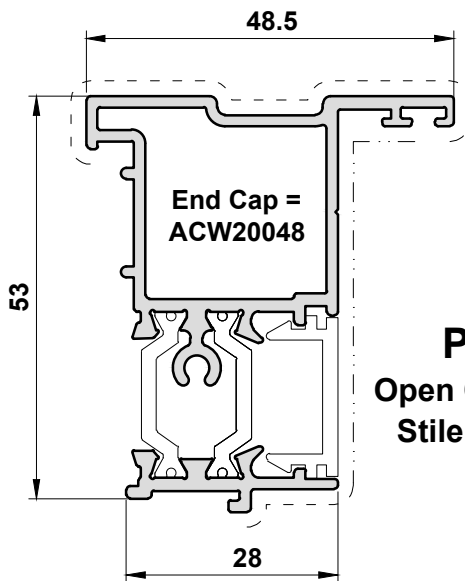
Primary Visible Side

Secondary Visible Side

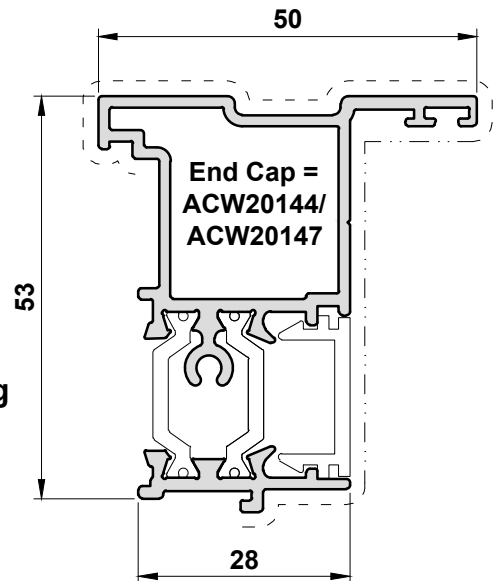
W20138
Door Lock Housing -
Tape Glazing
65.5



W20048N
Open Out Meeting Stile



W20046
Open Out Meeting Stile (W20124)



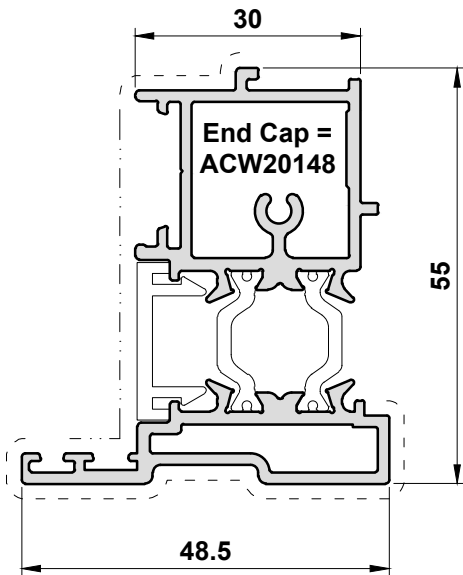
PCX49
Open Out Meeting
Stile Trim Strip

Scale 1:1

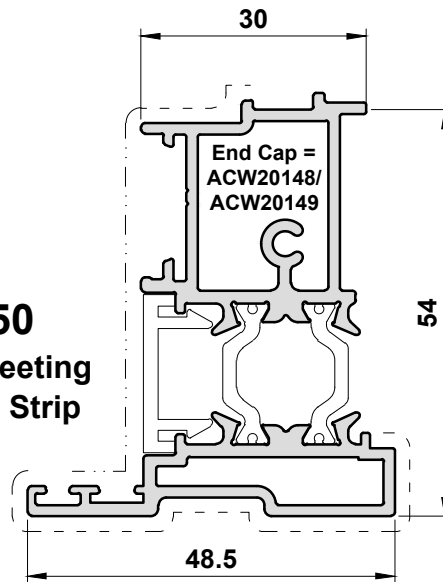
Primary Visible Side

Secondary Visible Side

W20148
Open In Meeting Stile

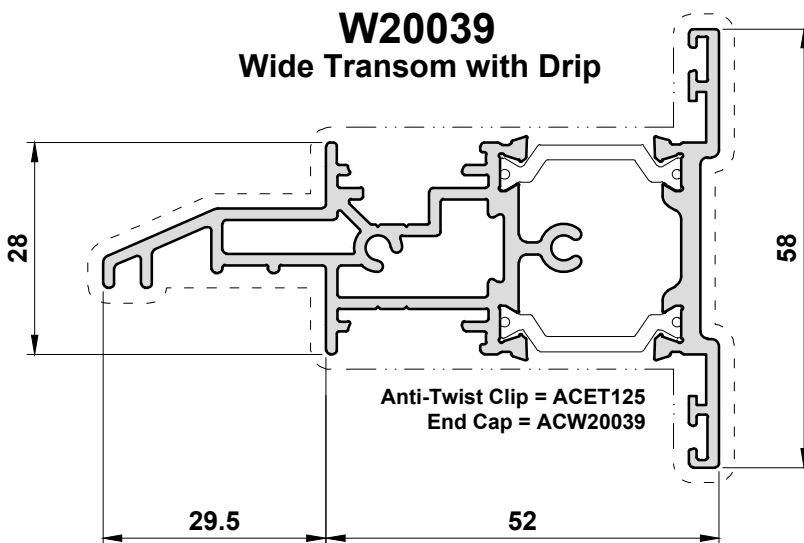


W20149
Open In Meeting Stile (W20129)

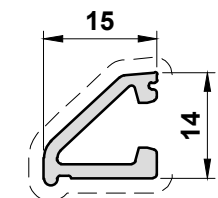


PCX50
Open In Meeting
Stile Trim Strip

W20039
Wide Transom with Drip



ETC572
Weather Drip



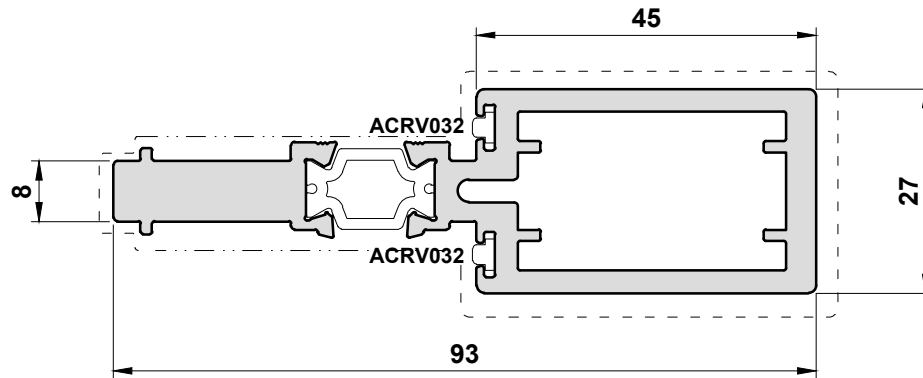
End Caps: ACET572
Rivets: ACVL061

Scale 1:1

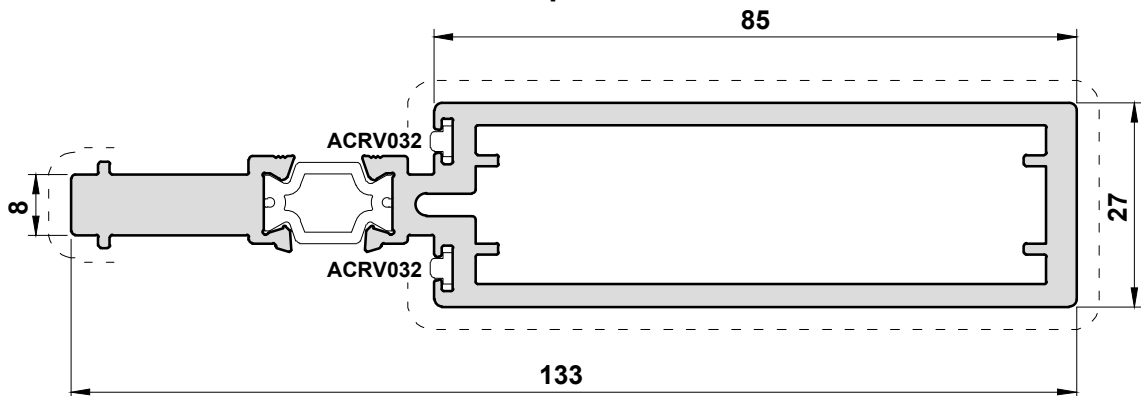
Primary Visible Side

Secondary Visible Side

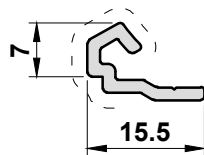
W20051
Coupler / Mullion



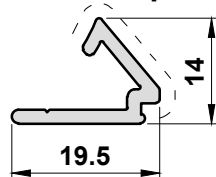
W20054
Coupler / Mullion



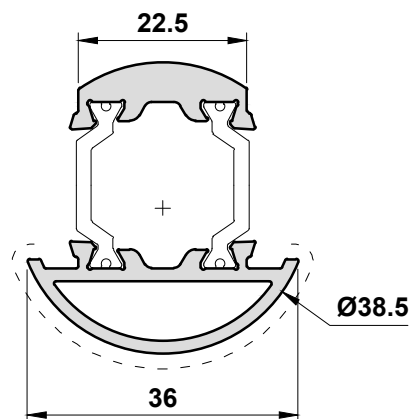
W20065
Bay Pole Adaptor



W20066
Bay Pole Adaptor



W20069
W20015 Bay Pole



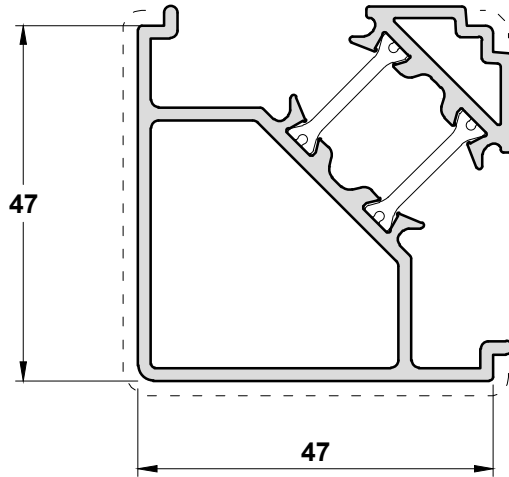
Scale 1:1

Primary Visible Side

Secondary Visible Side

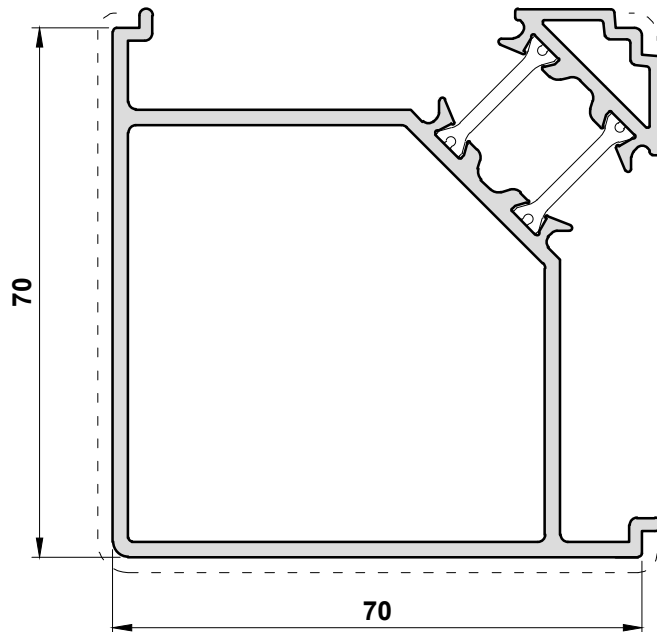
ETC047

47mm 90° Corner Post
W20015, W20110 & W20111 only



ETC048

70mm 90° Corner Post

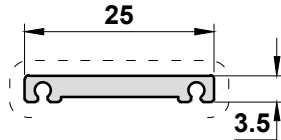


Scale 1:1

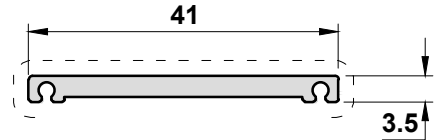
Primary Visible Side

Secondary Visible Side

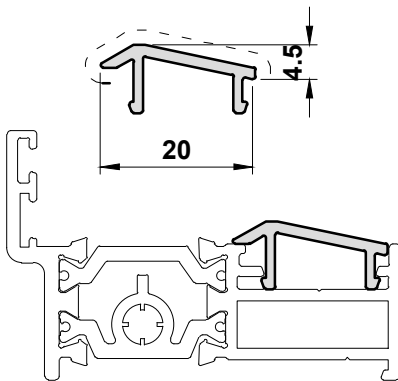
W20165
25mm Astragal Bar



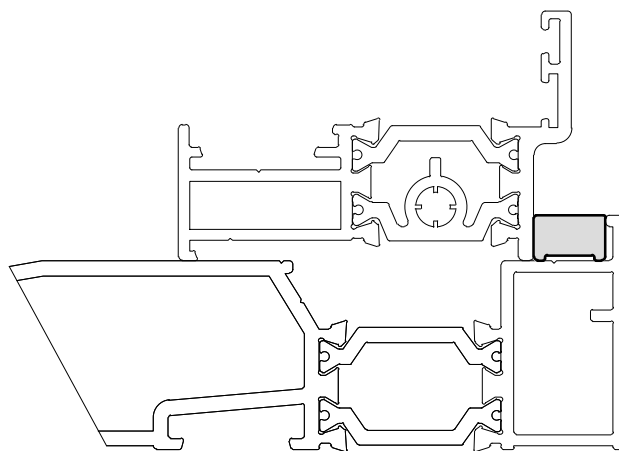
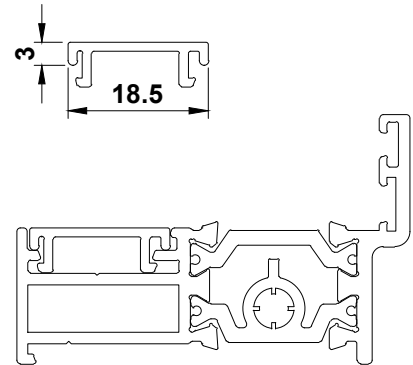
W20166
41mm Astragal Bar



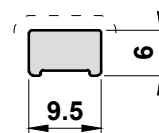
W20175
Threshold Infill



PCX41
Outer Frame Infill



SPD750
Cill Infill



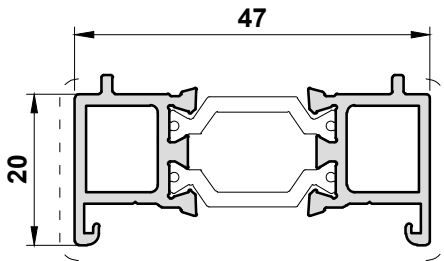
Scale 1:1

Primary Visible Side

Secondary Visible Side

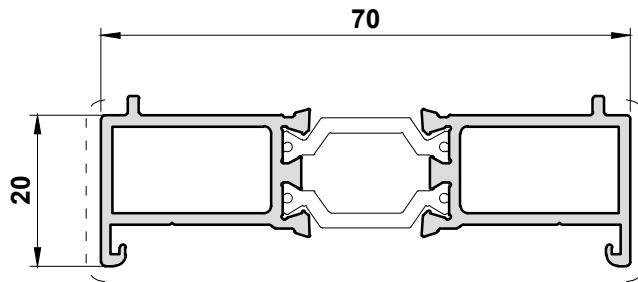
ETD056

20mm Add On For
47mm sections



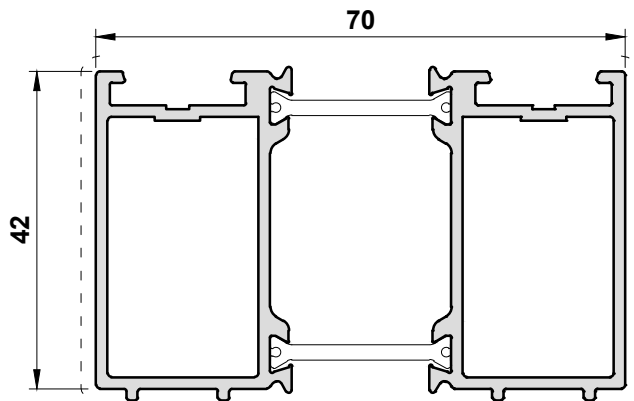
ETD057

20mm Add On For W20017



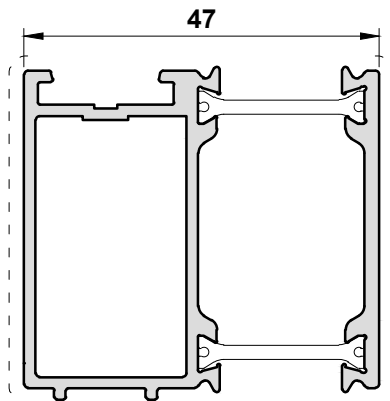
DV515

42mm Head Extension



ETD058

42mm Head Extension



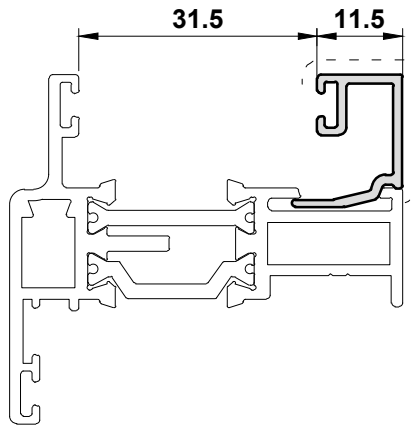
Scale 1:1

Primary Visible Side

Secondary Visible Side

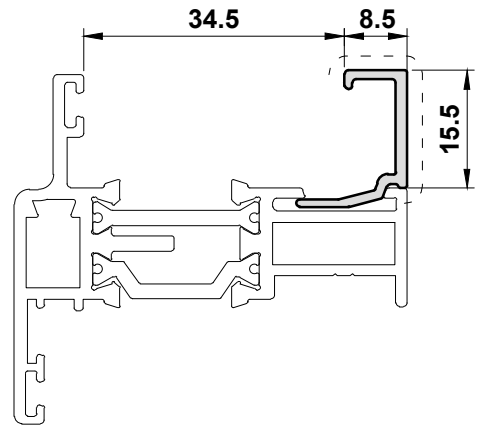
W20168N

Internal Square Bead



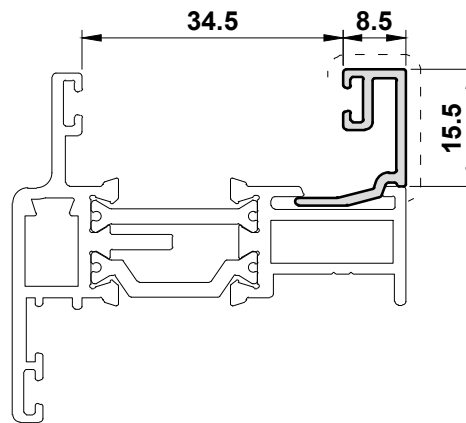
W20170N

Internal Square Bead



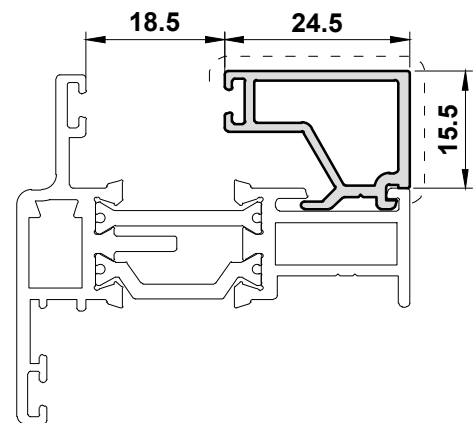
W20171N

Internal Square Bead



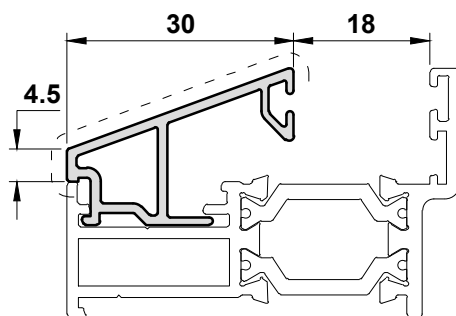
W20173

Internal Square Bead



W20172

External Sloped Bead



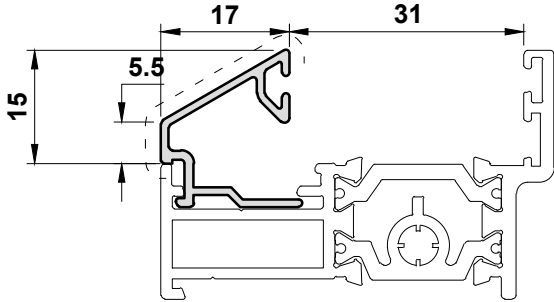
Scale 1:1

Primary Visible Side

Secondary Visible Side

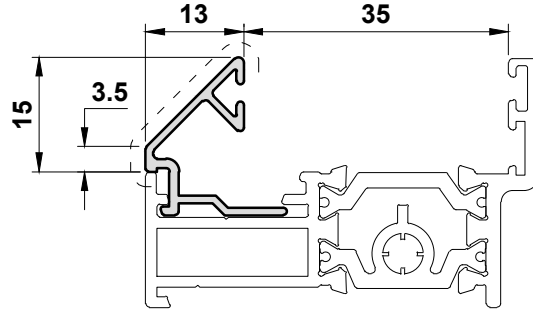
ETC364

24mm Chamfered Bead



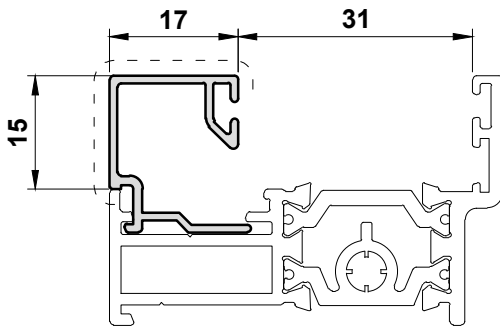
ETC375

28mm Chamfered Bead



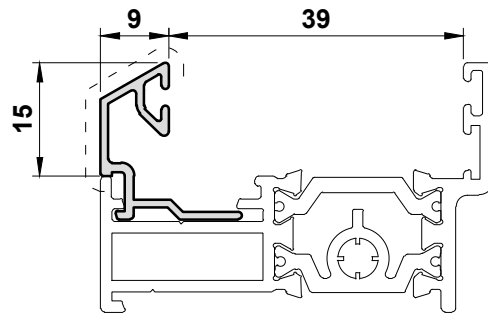
ETC370

24mm Square Bead



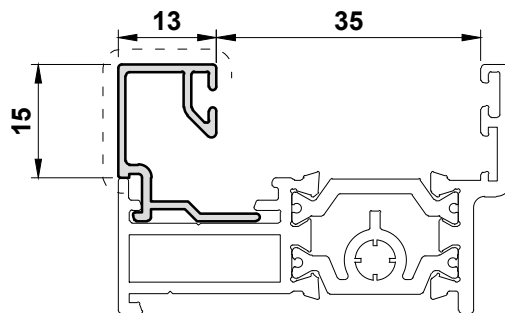
ETC379

32mm Chamfered Bead



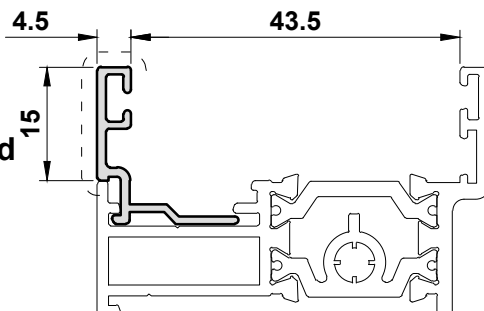
ETC371

28mm Square Bead



ETC376

36mm Square Bead



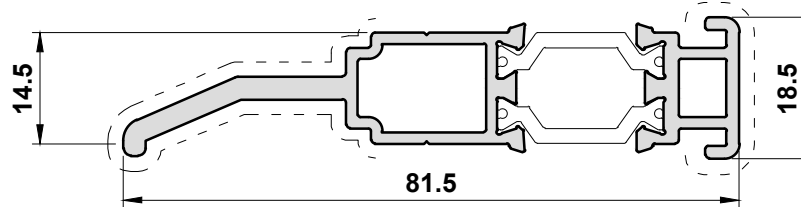
Scale 1:1

Primary Visible Side

Secondary Visible Side

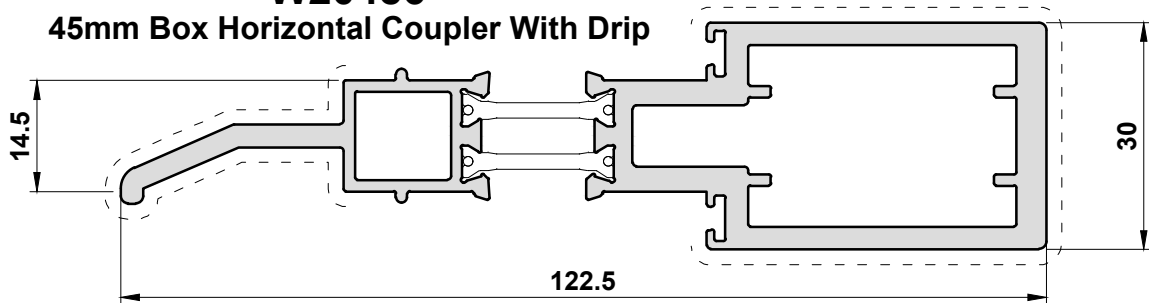
W20485

Horizontal Coupler with Drip Bar



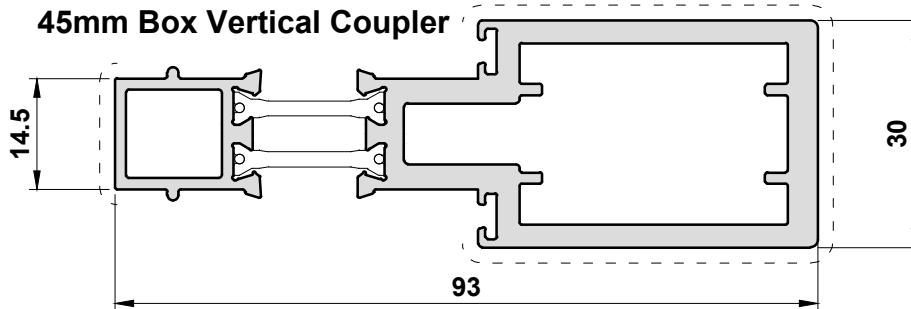
W20486

45mm Box Horizontal Coupler With Drip



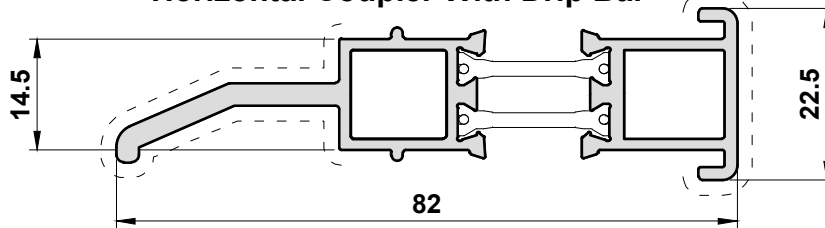
W20487

45mm Box Vertical Coupler



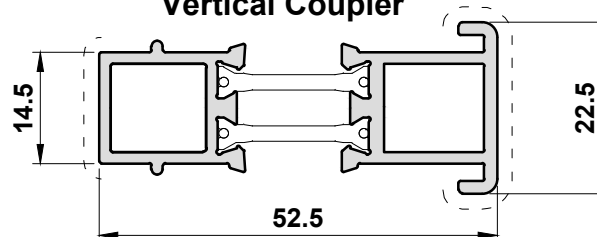
W20488

Horizontal Coupler With Drip Bar



W20489

Vertical Coupler

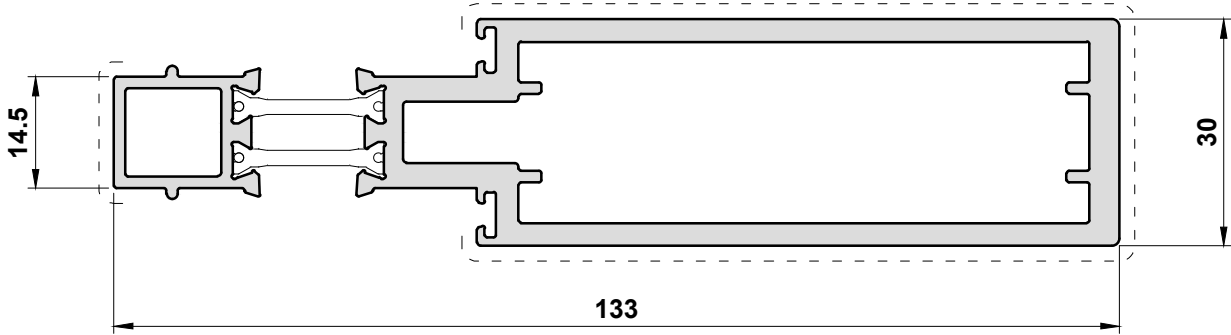


Scale 1:1

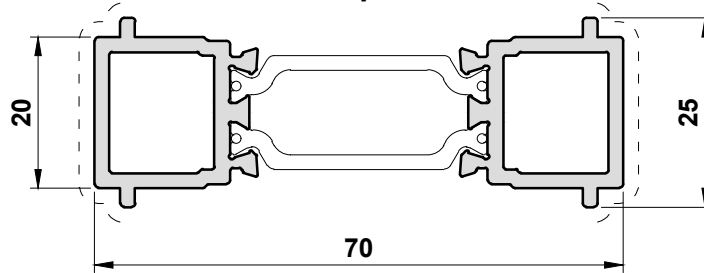
Primary Visible Side

Secondary Visible Side

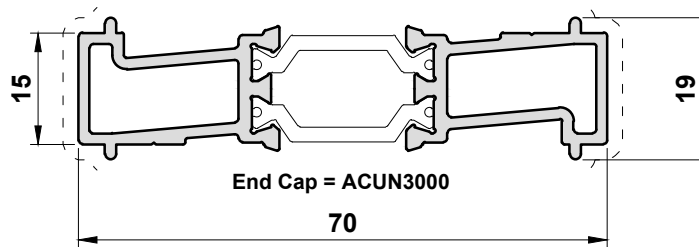
W20490
Coupler



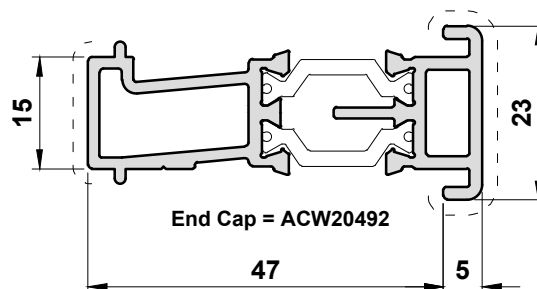
ETC853
Coupler



UN3000
Horizontal Coupler



W20492
47mm Horizontal Coupler

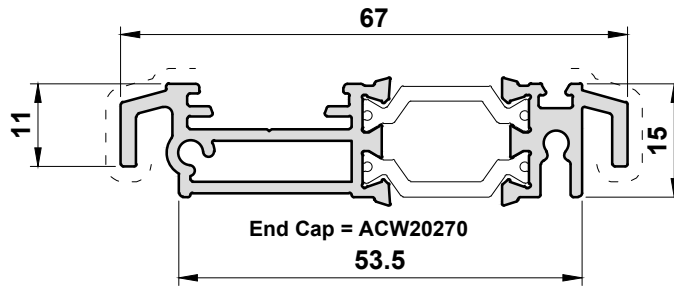


Scale 1:1

Primary Visible Side

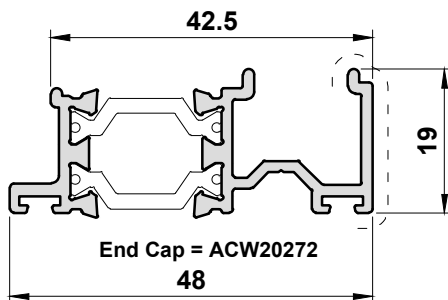
Secondary Visible Side

W20270
Low Threshold
(W20015 Only)



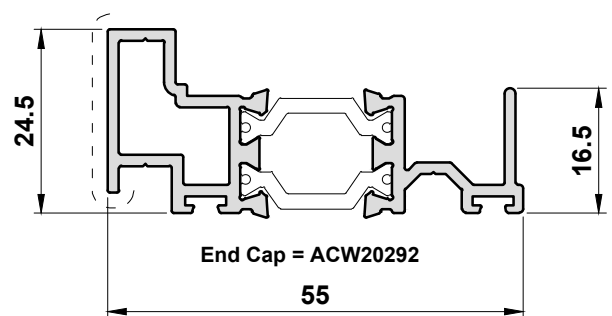
W20272

Open Out Low Threshold
Adaptor for W20124/126



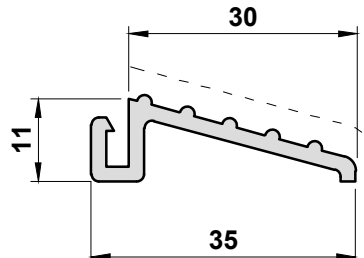
W20274

Open In Low Threshold Adaptor
for W20129



EUD03

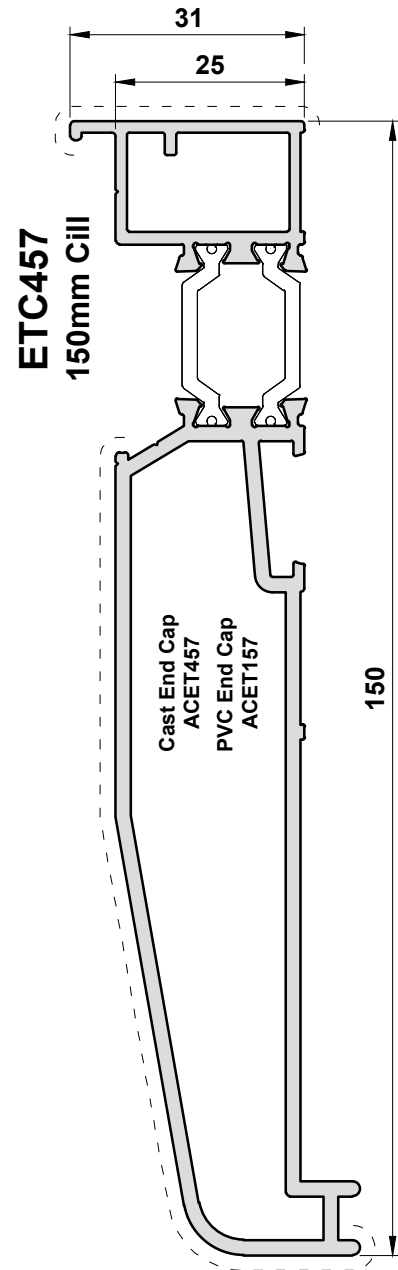
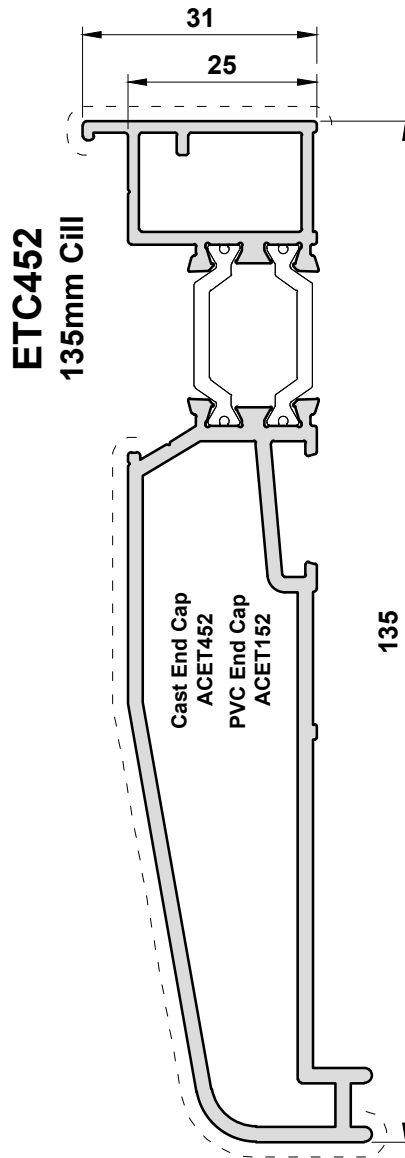
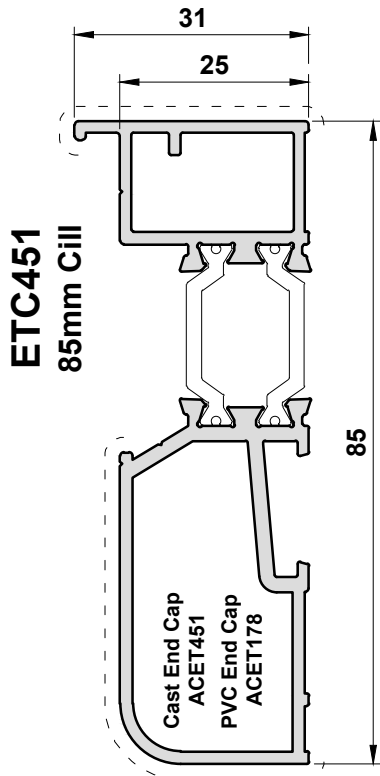
Door Ramp



Scale 1:1

Primary Visible Side

Secondary Visible Side

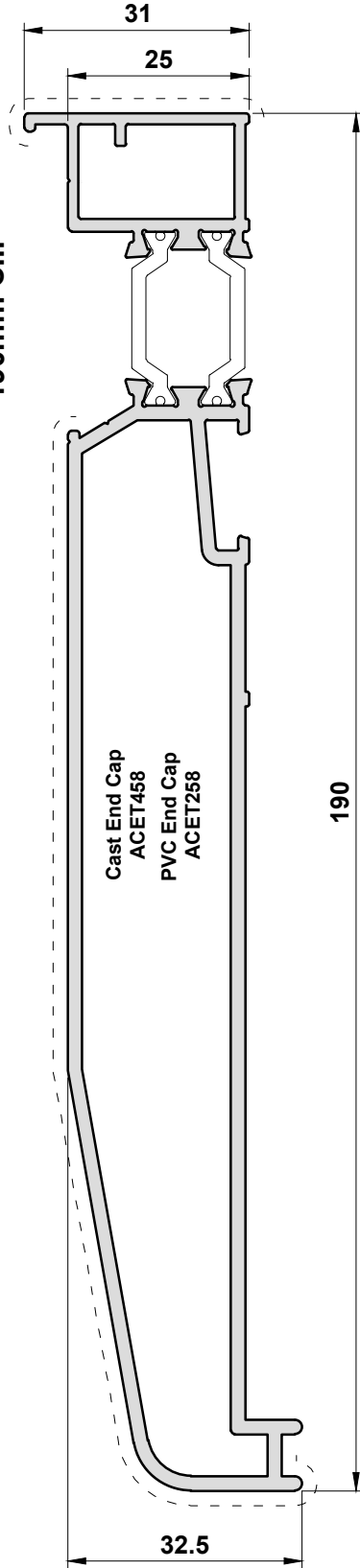


Scale 1:1

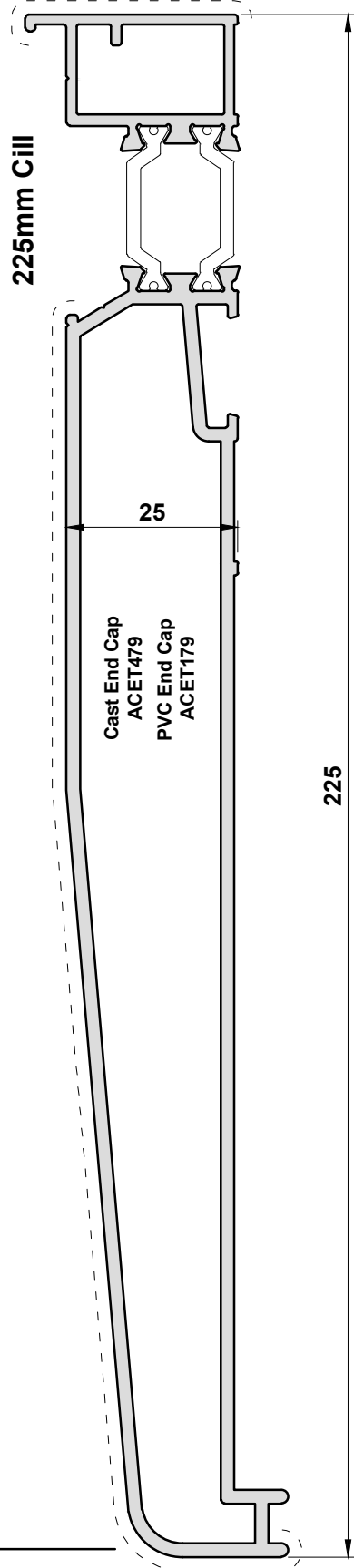
Primary Visible Side

Secondary Visible Side

ETC458
190mm Cill



ETC479N
225mm Cill

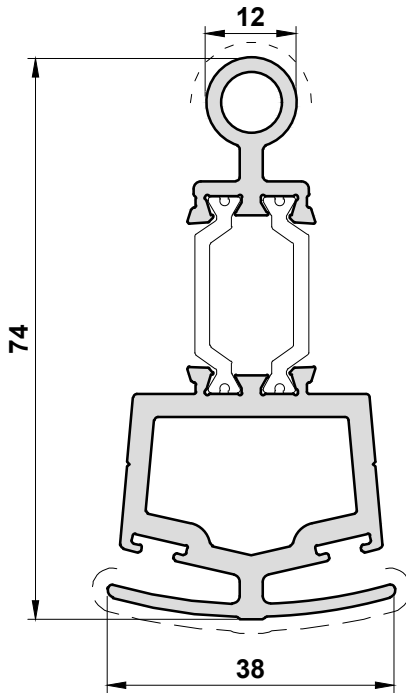


Scale 1:1

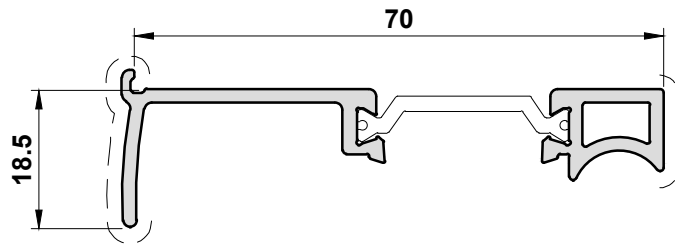
Primary Visible Side

Secondary Visible Side

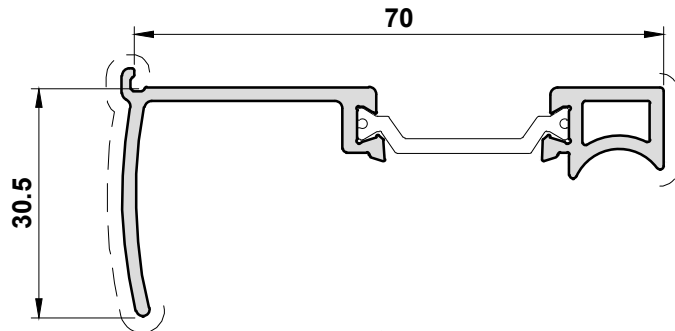
ETC080
Bay Pole



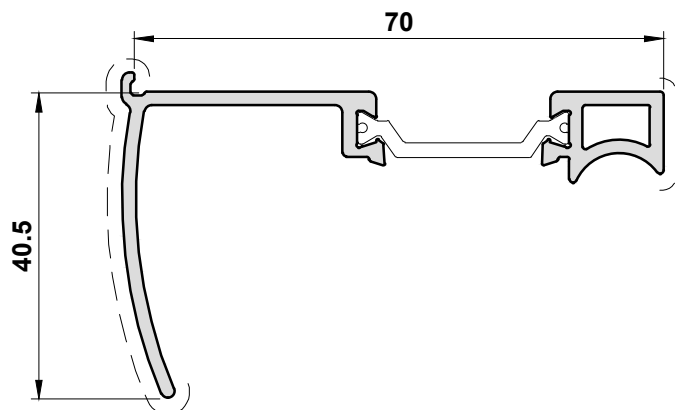
ETC081
169° - 150°
Bay Pole Adaptor



ETC082
149° - 130°
Bay Pole Adaptor



ETC083
129° - 115°
Bay Pole Adaptor

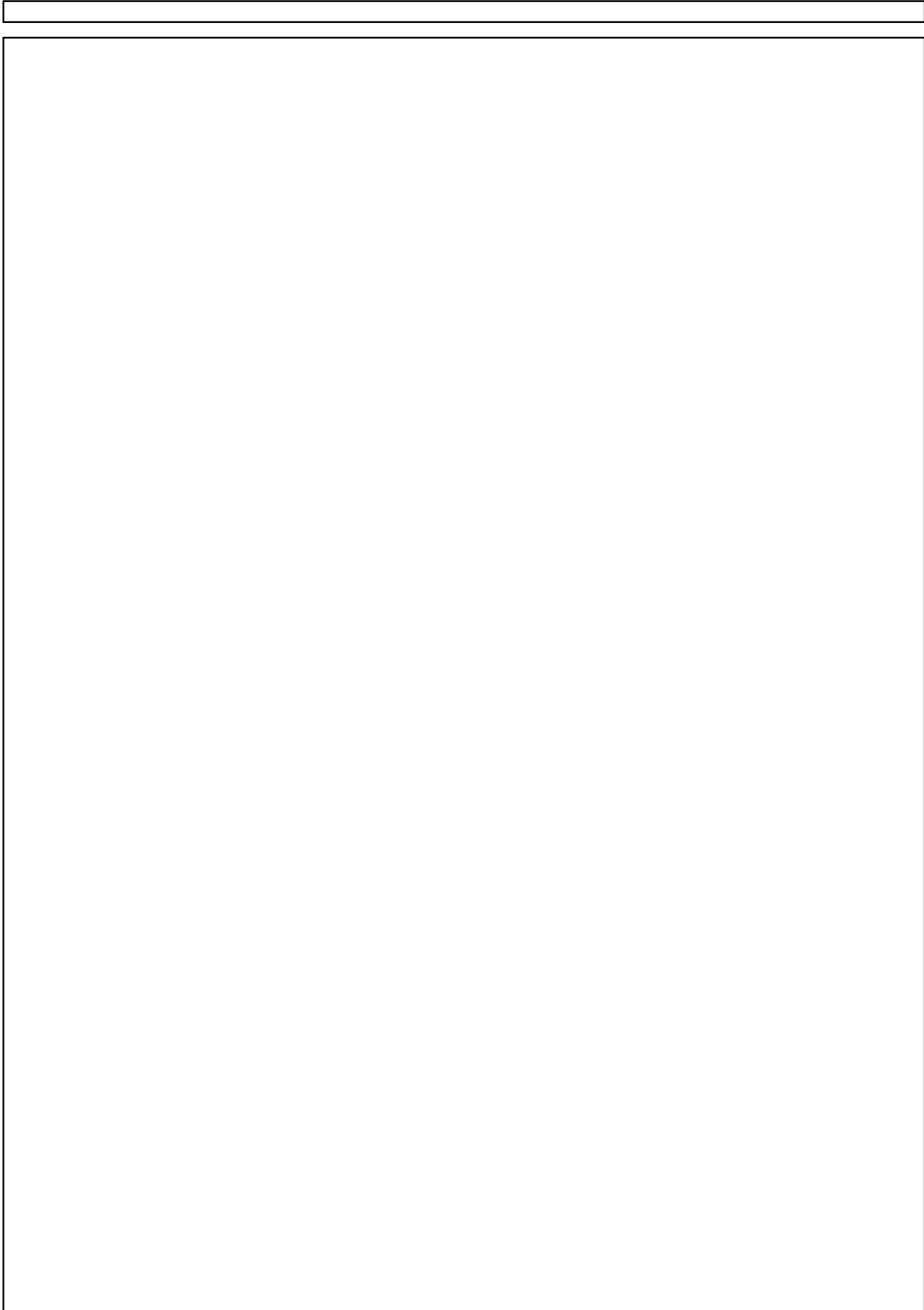


Scale 1:1


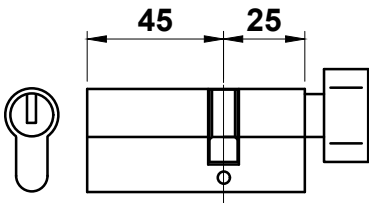




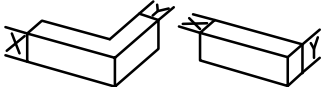
Section B

Accessories



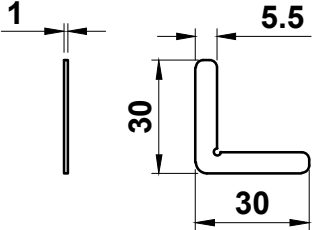
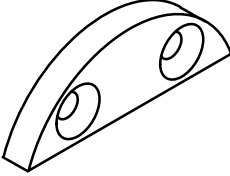
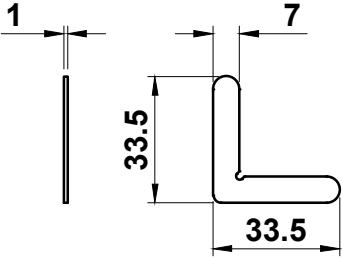


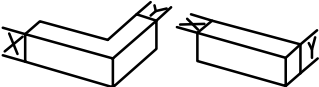
Photos & Drawings



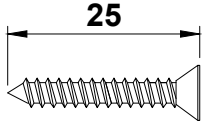
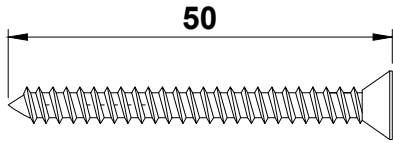
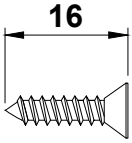
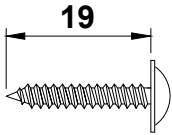



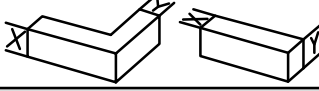
ACCESSORIES : PHOTOS & DRAWINGS

Image	Part Code	Pack	Unit	Application	Colour
	ACCY3045NKS1 30/45 High Security Cylinder 3 keys supplied (cylinder can be reversed) Nickle Finish	1	Each	ACW20465 ACW20466	MF <input checked="" type="checkbox"/> SA <input type="checkbox"/> KL <input type="checkbox"/> HP <input type="checkbox"/> SSC <input type="checkbox"/> SMC <input type="checkbox"/> W <input type="checkbox"/> Z <input type="checkbox"/> PC <input type="checkbox"/>
	ACCY4525NKTTTS3 45/25 High Security Cylinder 3 keys supplied ACCY4525NKTTTS3-SL for keyed alike ACCY4525NKTTTS3-SLPR for keyed alike pair Nickle Finish	1	Each	ACW20065 ACW20465 ACW20466	MF <input checked="" type="checkbox"/> SA <input type="checkbox"/> KL <input type="checkbox"/> HP <input type="checkbox"/> SSC <input type="checkbox"/> SMC <input type="checkbox"/> W <input type="checkbox"/> Z <input type="checkbox"/> PC <input type="checkbox"/>
	ACDV737 Bottom Shoot Bolt	1	Each	ACW20465 ACW20466	MF <input checked="" type="checkbox"/> SA <input type="checkbox"/> KL <input type="checkbox"/> HP <input type="checkbox"/> SSC <input type="checkbox"/> SMC <input type="checkbox"/> W <input type="checkbox"/> Z <input type="checkbox"/> PC <input type="checkbox"/>
	ACDV738 Top Shoot Bolt	1	Each	ACW20465 ACW20466	MF <input checked="" type="checkbox"/> SA <input type="checkbox"/> KL <input type="checkbox"/> HP <input type="checkbox"/> SSC <input type="checkbox"/> SMC <input type="checkbox"/> W <input type="checkbox"/> Z <input type="checkbox"/> PC <input type="checkbox"/>
	ACDV742 200mm Extension for ACDV738	1	Each	ACW20465 ACW20466	MF <input checked="" type="checkbox"/> SA <input type="checkbox"/> KL <input type="checkbox"/> HP <input type="checkbox"/> SSC <input type="checkbox"/> SMC <input type="checkbox"/> W <input type="checkbox"/> Z <input type="checkbox"/> PC <input type="checkbox"/>
	MF = Mill Finish SA = Silver Anodised KL = Basic Colour HP = Special Colour SSC = Smooth Satin Chrome SMC = Smokey Chrome PC = Polished Chrome	W = White Z = Black			

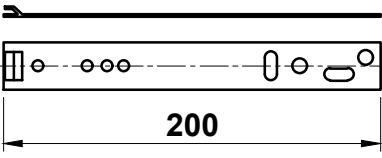
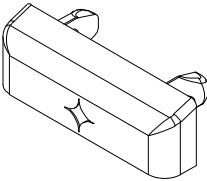
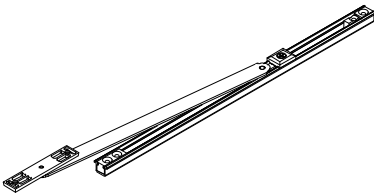
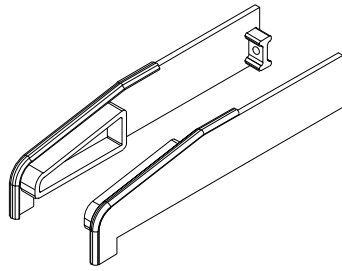
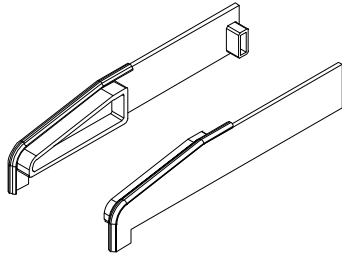

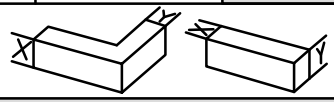
ACCESSORIES : PHOTOS & DRAWINGS

Image	Part Code	Pack	Unit	Application	Colour																		
	ACDV744 400mm Extension for ACDV738	1	Each	ACW20465 ACW20466	<table border="1"> <tr><td>MF</td><td>✓</td></tr> <tr><td>SA</td><td></td></tr> <tr><td>KL</td><td></td></tr> <tr><td>HP</td><td></td></tr> <tr><td>SSC</td><td></td></tr> <tr><td>SMC</td><td></td></tr> <tr><td>W</td><td></td></tr> <tr><td>Z</td><td></td></tr> <tr><td>PC</td><td></td></tr> </table>	MF	✓	SA		KL		HP		SSC		SMC		W		Z		PC	
MF	✓																						
SA																							
KL																							
HP																							
SSC																							
SMC																							
W																							
Z																							
PC																							
	ACDV746 600mm Extension for ACDV738	1	Each	ACW20465 ACW20466	<table border="1"> <tr><td>MF</td><td>✓</td></tr> <tr><td>SA</td><td></td></tr> <tr><td>KL</td><td></td></tr> <tr><td>HP</td><td></td></tr> <tr><td>SSC</td><td></td></tr> <tr><td>SMC</td><td></td></tr> <tr><td>W</td><td></td></tr> <tr><td>Z</td><td></td></tr> <tr><td>PC</td><td></td></tr> </table>	MF	✓	SA		KL		HP		SSC		SMC		W		Z		PC	
MF	✓																						
SA																							
KL																							
HP																							
SSC																							
SMC																							
W																							
Z																							
PC																							
	ACEC025 Stainless Steel Chevron	100	pack	W20125N	<table border="1"> <tr><td>MF</td><td>✓</td></tr> <tr><td>SA</td><td></td></tr> <tr><td>KL</td><td></td></tr> <tr><td>HP</td><td></td></tr> <tr><td>SSC</td><td></td></tr> <tr><td>SMC</td><td></td></tr> <tr><td>W</td><td></td></tr> <tr><td>Z</td><td></td></tr> <tr><td>PC</td><td></td></tr> </table>	MF	✓	SA		KL		HP		SSC		SMC		W		Z		PC	
MF	✓																						
SA																							
KL																							
HP																							
SSC																							
SMC																							
W																							
Z																							
PC																							
	ACET041 Cill Nose Bracket	1	each	ETC451 ETC452 ETC457 ETC458 ETC479	<table border="1"> <tr><td>MF</td><td>✓</td></tr> <tr><td>SA</td><td></td></tr> <tr><td>KL</td><td></td></tr> <tr><td>HP</td><td></td></tr> <tr><td>SSC</td><td></td></tr> <tr><td>SMC</td><td></td></tr> <tr><td>W</td><td></td></tr> <tr><td>Z</td><td></td></tr> <tr><td>PC</td><td></td></tr> </table>	MF	✓	SA		KL		HP		SSC		SMC		W		Z		PC	
MF	✓																						
SA																							
KL																							
HP																							
SSC																							
SMC																							
W																							
Z																							
PC																							
	ACET045 Stainless Steel Chevron	100	pack	W20015 W20016 W20125N	<table border="1"> <tr><td>MF</td><td>✓</td></tr> <tr><td>SA</td><td></td></tr> <tr><td>KL</td><td></td></tr> <tr><td>HP</td><td></td></tr> <tr><td>SSC</td><td></td></tr> <tr><td>SMC</td><td></td></tr> <tr><td>W</td><td></td></tr> <tr><td>Z</td><td></td></tr> <tr><td>PC</td><td></td></tr> </table>	MF	✓	SA		KL		HP		SSC		SMC		W		Z		PC	
MF	✓																						
SA																							
KL																							
HP																							
SSC																							
SMC																							
W																							
Z																							
PC																							
 <p>T-BARS ACVG66=2.5mm ACVG66=3.0mm ACVL150=4.0mm</p>  <p>Screw (Grub)</p>	<p>MF = Mill Finish SA = Silver Anodised KL = Basic Colour HP = Special Colour SSC = Smooth Satin Chrome SMC = Smokey Chrome PC = Polished Chrome</p> <p>W = White Z = Black</p>																						

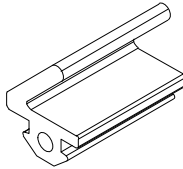
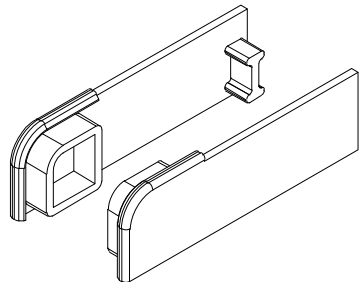
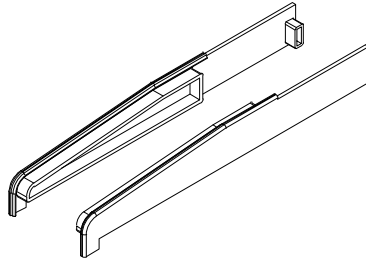
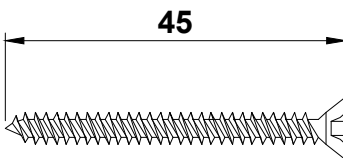
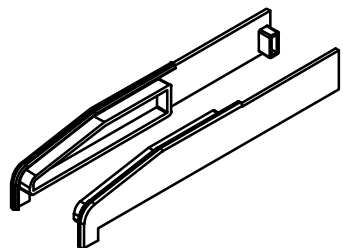


ACCESSORIES : PHOTOS & DRAWINGS

Image	Part Code	Pack	Unit	Application	Colour																		
	ACET060 No. 7 x 25 S/S Self Tapping CSK Screw	100	pack		<table border="1"> <tr><td>MF</td><td>✓</td></tr> <tr><td>SA</td><td></td></tr> <tr><td>KL</td><td></td></tr> <tr><td>HP</td><td></td></tr> <tr><td>SSC</td><td></td></tr> <tr><td>SMC</td><td></td></tr> <tr><td>W</td><td></td></tr> <tr><td>Z</td><td></td></tr> <tr><td>PC</td><td></td></tr> </table>	MF	✓	SA		KL		HP		SSC		SMC		W		Z		PC	
MF	✓																						
SA																							
KL																							
HP																							
SSC																							
SMC																							
W																							
Z																							
PC																							
	ACET062 No. 10 x 50 S/S Self Tapping CSK Screw	100	pack		<table border="1"> <tr><td>MF</td><td>✓</td></tr> <tr><td>SA</td><td></td></tr> <tr><td>KL</td><td></td></tr> <tr><td>HP</td><td></td></tr> <tr><td>SSC</td><td></td></tr> <tr><td>SMC</td><td></td></tr> <tr><td>W</td><td></td></tr> <tr><td>Z</td><td></td></tr> <tr><td>PC</td><td></td></tr> </table>	MF	✓	SA		KL		HP		SSC		SMC		W		Z		PC	
MF	✓																						
SA																							
KL																							
HP																							
SSC																							
SMC																							
W																							
Z																							
PC																							
	ACET064 No. 8 x 16 S/S Self Tapping CSK Screw	100	pack		<table border="1"> <tr><td>MF</td><td>✓</td></tr> <tr><td>SA</td><td></td></tr> <tr><td>KL</td><td></td></tr> <tr><td>HP</td><td></td></tr> <tr><td>SSC</td><td></td></tr> <tr><td>SMC</td><td></td></tr> <tr><td>W</td><td></td></tr> <tr><td>Z</td><td></td></tr> <tr><td>PC</td><td></td></tr> </table>	MF	✓	SA		KL		HP		SSC		SMC		W		Z		PC	
MF	✓																						
SA																							
KL																							
HP																							
SSC																							
SMC																							
W																							
Z																							
PC																							
	ACET099 No. 8 x 19 S/S Self Tapping Flange Screw	100	pack		<table border="1"> <tr><td>MF</td><td>✓</td></tr> <tr><td>SA</td><td></td></tr> <tr><td>KL</td><td></td></tr> <tr><td>HP</td><td></td></tr> <tr><td>SSC</td><td></td></tr> <tr><td>SMC</td><td></td></tr> <tr><td>W</td><td></td></tr> <tr><td>Z</td><td></td></tr> <tr><td>PC</td><td></td></tr> </table>	MF	✓	SA		KL		HP		SSC		SMC		W		Z		PC	
MF	✓																						
SA																							
KL																							
HP																							
SSC																							
SMC																							
W																							
Z																							
PC																							
	ACET125 Stainless Steel Anti-Twist Clip	100	pack	W20039	<table border="1"> <tr><td>MF</td><td>✓</td></tr> <tr><td>SA</td><td></td></tr> <tr><td>KL</td><td></td></tr> <tr><td>HP</td><td></td></tr> <tr><td>SSC</td><td></td></tr> <tr><td>SMC</td><td></td></tr> <tr><td>W</td><td></td></tr> <tr><td>Z</td><td></td></tr> <tr><td>PC</td><td></td></tr> </table>	MF	✓	SA		KL		HP		SSC		SMC		W		Z		PC	
MF	✓																						
SA																							
KL																							
HP																							
SSC																							
SMC																							
W																							
Z																							
PC																							
 <p>T-BARS ACVG66=2.5mm ACVG66=3.0mm ACVL150=4.0mm</p>  <p>Screw (Grub)</p>	<p>MF = Mill Finish SA = Silver Anodised KL = Basic Colour HP = Special Colour SSC = Smooth Satin Chrome SMC = Smokey Chrome PC = Polished Chrome</p>	<p>W = White Z = Black</p>																					

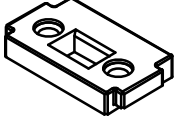
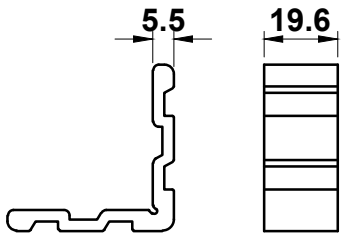
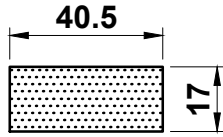
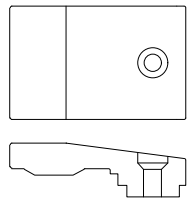
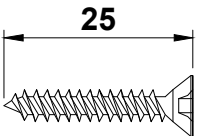


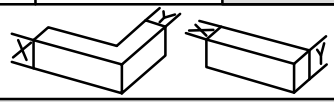
ACCESSORIES : PHOTOS & DRAWINGS

Image	Part Code	Pack	Unit	Application	Colour
	ACET130 Galvanised Steel Fixing Strap 200mm x 25mm x 1.5mm	100	pack	W20015 W20016 W20017	MF <input checked="" type="checkbox"/> SA <input type="checkbox"/> KL <input type="checkbox"/> HP <input type="checkbox"/> SSC <input type="checkbox"/> SMC <input type="checkbox"/> W <input type="checkbox"/> Z <input type="checkbox"/> PC <input type="checkbox"/>
	ACET131 Drainage Cap for colour match drainage cap - see ACET432	100	pack		MF <input type="checkbox"/> SA <input type="checkbox"/> KL <input type="checkbox"/> HP <input type="checkbox"/> SSC <input type="checkbox"/> SMC <input type="checkbox"/> W <input checked="" type="checkbox"/> Z <input checked="" type="checkbox"/> PC <input type="checkbox"/>
	ACET149 90° Slimline Restrictor	1	each	W20015 W20016 W20017 W20111 W20112 W20124 W20129	MF <input checked="" type="checkbox"/> SA <input type="checkbox"/> KL <input type="checkbox"/> HP <input type="checkbox"/> SSC <input type="checkbox"/> SMC <input type="checkbox"/> W <input type="checkbox"/> Z <input type="checkbox"/> PC <input type="checkbox"/>
	ACET152 PVC Cill End Caps	10	pair	ETC452	MF <input type="checkbox"/> SA <input type="checkbox"/> KL <input type="checkbox"/> HP <input type="checkbox"/> SSC <input type="checkbox"/> SMC <input type="checkbox"/> W <input checked="" type="checkbox"/> Z <input checked="" type="checkbox"/> PC <input type="checkbox"/>
	ACET157 PVC Cill End Caps	10	pair	ETC457	MF <input type="checkbox"/> SA <input type="checkbox"/> KL <input type="checkbox"/> HP <input type="checkbox"/> SSC <input type="checkbox"/> SMC <input type="checkbox"/> W <input checked="" type="checkbox"/> Z <input checked="" type="checkbox"/> PC <input type="checkbox"/>
 <p> T-BARS ACVG65=2.5mm ACVG66=3.0mm ACVL150=4.0mm Screw (Grub) </p>	MF = Mill Finish SA = Silver Anodised KL = Basic Colour HP = Special Colour SSC = Smooth Satin Chrome SMC = Smokey Chrome PC = Polished Chrome	W = White Z = Black			

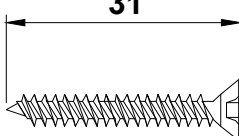
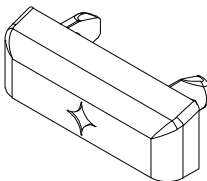
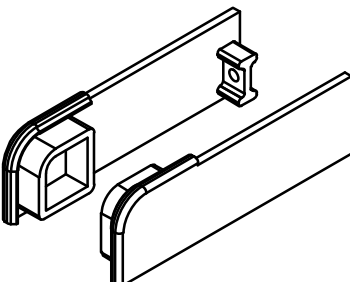
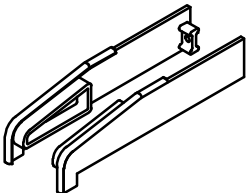
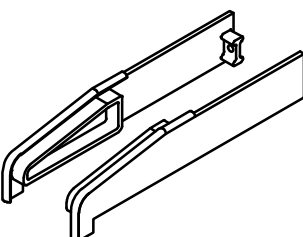

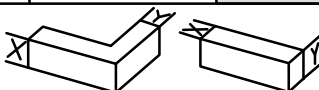
ACCESSORIES : PHOTOS & DRAWINGS

Image	Part Code	Pack	Unit	Application	Colour	
	ACET160R EPDM Flipper Gasket	100	m	W20015 W20027 W20127	MF	
					SA	
					KL	
					HP	
					SSC	
					SMC	
					W	
					Z	✓
					PC	
						ACET178 PVC Cill End Caps
SA						
KL						
HP						
SSC						
SMC						
W	✓					
Z	✓					
PC						
	ACET179 PVC Cill End Caps	10	pair	ETC479		
					SA	
					KL	
					HP	
					SSC	
					SMC	
					W	✓
					Z	✓
					PC	
						ACET190 4.3 x 45mm CSK Polyamide Screw
SA						
KL						
HP						
SSC						
SMC						
W						
Z	✓					
PC						
	ACET258 PVC Cill End Cap	10	pair	ETC458		
					SA	
					KL	
					HP	
					SSC	
					SMC	
					W	✓
					Z	✓
					PC	
					 T-BARS ACVG66=2.5mm ACVG66=3.0mm ACVL150=4.0mm	 Screw (Grub)

ACCESSORIES : PHOTOS & DRAWINGS

Image	Part Code	Pack	Unit	Application	Colour
	ACET269 Door Keep	10	pair	ACUN3537 ACW20382 W20015	MF <input checked="" type="checkbox"/> SA <input type="checkbox"/> KL <input type="checkbox"/> HP <input type="checkbox"/> SSC <input type="checkbox"/> SMC <input type="checkbox"/> W <input type="checkbox"/> Z <input type="checkbox"/> PC <input type="checkbox"/>
	ACET310 Corner Cleat	24	pack	W20015 W20016 W20017 W20111 W20112	MF <input checked="" type="checkbox"/> SA <input type="checkbox"/> KL <input type="checkbox"/> HP <input type="checkbox"/> SSC <input type="checkbox"/> SMC <input type="checkbox"/> W <input type="checkbox"/> Z <input type="checkbox"/> PC <input type="checkbox"/>
	ACET313 Foam Infill 1250mm Lengths	1	each	W20111	MF <input checked="" type="checkbox"/> SA <input type="checkbox"/> KL <input type="checkbox"/> HP <input type="checkbox"/> SSC <input type="checkbox"/> SMC <input type="checkbox"/> W <input type="checkbox"/> Z <input type="checkbox"/> PC <input type="checkbox"/>
	ACET380 Run Up Block	100	pack	W20015 W20016 W20017 W20111 W20112	MF <input type="checkbox"/> SA <input type="checkbox"/> KL <input type="checkbox"/> HP <input type="checkbox"/> SSC <input type="checkbox"/> SMC <input type="checkbox"/> W <input checked="" type="checkbox"/> Z <input checked="" type="checkbox"/> PC <input type="checkbox"/>
	ACET390 4.3 x 25mm CSK Polyamide Screw	200	Pack	ACW20067 W20015 W20016 W20017 W20111 W20112	MF <input type="checkbox"/> SA <input type="checkbox"/> KL <input type="checkbox"/> HP <input type="checkbox"/> SSC <input type="checkbox"/> SMC <input type="checkbox"/> W <input checked="" type="checkbox"/> Z <input type="checkbox"/> PC <input type="checkbox"/>
 <p>T-BARS ACVG66=2.5mm ACVG66=3.0mm ACVL150=4.0mm</p>  <p>Screw (Grub)</p>	<p>MF = Mill Finish SA = Silver Anodised KL = Basic Colour HP = Special Colour SSC = Smooth Satin Chrome SMC = Smokey Chrome PC = Polished Chrome</p> <p>W = White Z = Black</p>				

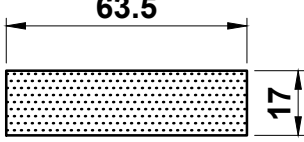
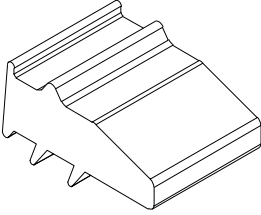
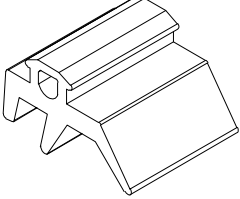
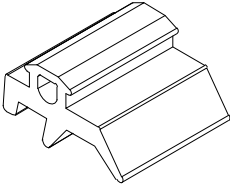
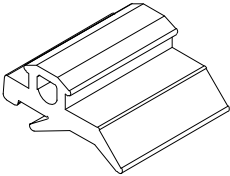


ACCESSORIES : PHOTOS & DRAWINGS

Image	Part Code	Pack	Unit	Application	Colour
	ACET392 4.3 x 31mm CSK Polyamide Screw	100	pack	W20129 W20149	MF <input checked="" type="checkbox"/>
					SA <input type="checkbox"/>
					KL <input type="checkbox"/>
					HP <input type="checkbox"/>
					SSC <input type="checkbox"/>
					SMC <input type="checkbox"/>
					W <input type="checkbox"/>
					Z <input type="checkbox"/>
					PC <input type="checkbox"/>
					PC <input type="checkbox"/>
	ACET432 Colour Match Drainage Cover Cap	8	pack		MF <input type="checkbox"/>
					SA <input checked="" type="checkbox"/>
					KL <input checked="" type="checkbox"/>
					HP <input type="checkbox"/>
					SSC <input type="checkbox"/>
					SMC <input checked="" type="checkbox"/>
					W <input checked="" type="checkbox"/>
					Z <input type="checkbox"/>
					PC <input type="checkbox"/>
					PC <input type="checkbox"/>
	ACET451 Cast Cill End Caps (Pair)	1	pair	ETC451	MF <input checked="" type="checkbox"/>
					SA <input type="checkbox"/>
					KL <input checked="" type="checkbox"/>
					HP <input checked="" type="checkbox"/>
					SSC <input type="checkbox"/>
					SMC <input type="checkbox"/>
					W <input checked="" type="checkbox"/>
					Z <input checked="" type="checkbox"/>
					PC <input type="checkbox"/>
					PC <input type="checkbox"/>
	ACET452 Cast Cill End Caps (Pair)	1	Pair	ETC452	MF <input checked="" type="checkbox"/>
					SA <input type="checkbox"/>
					KL <input checked="" type="checkbox"/>
					HP <input checked="" type="checkbox"/>
					SSC <input type="checkbox"/>
					SMC <input type="checkbox"/>
					W <input checked="" type="checkbox"/>
					Z <input checked="" type="checkbox"/>
					PC <input type="checkbox"/>
					PC <input type="checkbox"/>
	ACET457 Cast Cill End Caps (Pair)	1	Pair	ETC457	MF <input checked="" type="checkbox"/>
					SA <input type="checkbox"/>
					KL <input checked="" type="checkbox"/>
					HP <input checked="" type="checkbox"/>
					SSC <input type="checkbox"/>
					SMC <input type="checkbox"/>
					W <input checked="" type="checkbox"/>
					Z <input checked="" type="checkbox"/>
					PC <input type="checkbox"/>
					PC <input type="checkbox"/>
 <p>T-BARS ACVG66=2.5mm ACVG66=3.0mm ACVL150=4.0mm</p> <p>Screw (Grub)</p>	MF = Mill Finish SA = Silver Anodised KL = Basic Colour HP = Special Colour SSC = Smooth Satin Chrome SMC = Smokey Chrome PC = Polished Chrome	W = White Z = Black			


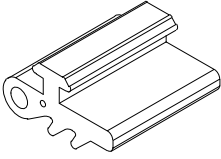
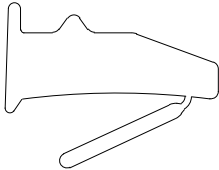
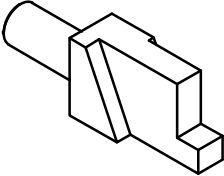
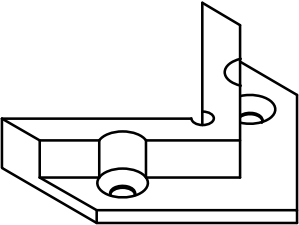



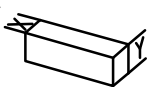
ACCESSORIES : PHOTOS & DRAWINGS

Image	Part Code	Pack	Unit	Application	Colour	
	ACET458 Cast Cill End Caps (Pair)	1	Pair	ETC458	MF	✓
					SA	
					KL	✓
					HP	✓
					SSC	
					SMC	
					W	✓
					Z	✓
					PC	
	ACET479N Cast Cill End Caps (Pair)	1	Pair	ETC479	MF	✓
					SA	
					KL	✓
					HP	✓
					SSC	
					SMC	
					W	✓
					Z	✓
					PC	
	ACET490 4.3 x 16mm CSK Polyamide Screw	1000	Pack	ACW20060	MF	
					SA	
					KL	
					HP	
					SSC	
					SMC	
					W	
					Z	✓
					PC	
	ACET569 Astragal Bar Tape 10mm x 1mm	50	m	W20165	MF	
					SA	
					KL	
					HP	
					SSC	
					SMC	
					W	
					Z	
					PC	
	ACET572 End cap for ETC572	10	pairs	ETC572	MF	
					SA	
					KL	
					HP	
					SSC	
					SMC	
					W	✓
					Z	✓
					PC	
<p>T-BARS ACVG65=2.5mm ACVG66=3.0mm ACVL150=4.0mm</p> <p>Screw (Grub)</p>	MF = Mill Finish SA = Silver Anodised KL = Basic Colour HP = Special Colour SSC = Smooth Satin Chrome SMC = Smokey Chrome PC = Polished Chrome	W = White Z = Black				

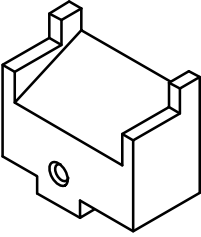
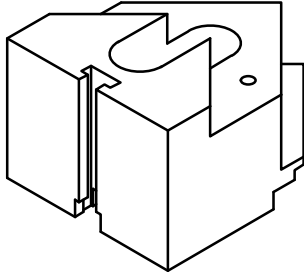
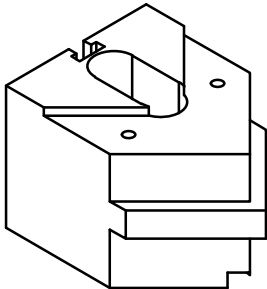
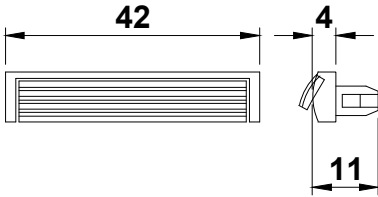
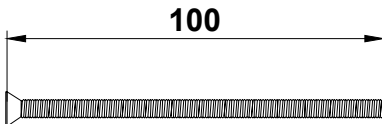


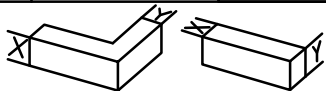
ACCESSORIES : PHOTOS & DRAWINGS

Image	Part Code	Pack	Unit	Application	Colour	
	ACET619 Foam Infill 1250mm Lengths	1	each	W20112	MF	
					SA	
					KL	
					HP	
					SSC	
					SMC	
					W	
					Z	
					PC	
						ACET840 5mm Low Line Internal EPDM Wedge Gasket
SA						
KL						
HP						
SSC						
SMC						
W						
Z	✓					
PC						
	ACET841 4mm Low Line External EPDM Gasket	200	m			
					SA	
					KL	
					HP	
					SSC	
					SMC	
					W	
					Z	✓
					PC	
						ACET842 3mm Low Line External Gasket
SA						
KL						
HP						
SSC						
SMC						
W						
Z	✓					
PC						
	ACET843 2mm Low Line External Gasket	200	m			
					SA	
					KL	
					HP	
					SSC	
					SMC	
					W	
					Z	✓
					PC	
					 T-BARS ACVG65=2.5mm ACVG66=3.0mm ACVL150=4.0mm	 Screw (Grub)

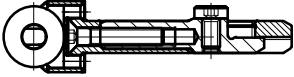
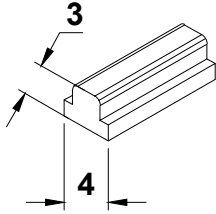
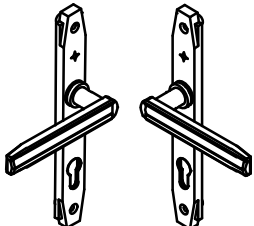
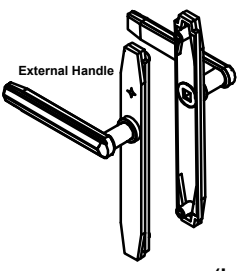
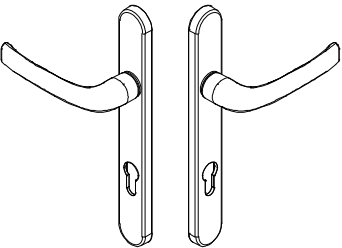


ACCESSORIES : PHOTOS & DRAWINGS

Image	Part Code	Pack	Unit	Application	Colour	
	ACET844 2mm Low Line External Gasket	200	m		MF	
					SA	
					KL	
					HP	
					SSC	
					SMC	
					W	
					Z	✓
					PC	
	ACET845 3mm Low Line External EPDM Gasket with Rigid Backing Slides into glazing bead	100	m		MF	
					SA	
					KL	
					HP	
					SSC	
					SMC	
					W	
					Z	✓
					PC	
	ACET848 5mm to 4mm Tear-Off Gasket	200	m		MF	
					SA	
					KL	
					HP	
					SSC	
					SMC	
					W	
					Z	✓
					PC	
	ACET904 Punches	1	pair	W20015 W20016	MF	
					SA	✓
					KL	
					HP	
					SSC	
					SMC	
					W	
					Z	
					PC	
	ACET975 4mm Tufnel Packer	1	each	W20027	MF	
					SA	✓
					KL	
					HP	
					SSC	
					SMC	
					W	
					Z	
					PC	
 <small>T-BARS ACVG685=2.5mm ACVG666=3.0mm ACVL150=4.0mm</small>	 <small>Screw (Grub)</small>	MF = Mill Finish SA = Silver Anodised KL = Basic Colour HP = Special Colour SSC = Smooth Satin Chrome SMC = Smokey Chrome PC = Polished Chrome	W = White Z = Black	 		

ACCESSORIES : PHOTOS & DRAWINGS

Image	Part Code	Pack	Unit	Application	Colour																		
	ACET978 Punches	1	pair	W20017	<table border="1"> <tr><td>MF</td><td><input checked="" type="checkbox"/></td></tr> <tr><td>SA</td><td><input type="checkbox"/></td></tr> <tr><td>KL</td><td><input type="checkbox"/></td></tr> <tr><td>HP</td><td><input type="checkbox"/></td></tr> <tr><td>SSC</td><td><input type="checkbox"/></td></tr> <tr><td>SMC</td><td><input type="checkbox"/></td></tr> <tr><td>W</td><td><input type="checkbox"/></td></tr> <tr><td>Z</td><td><input type="checkbox"/></td></tr> <tr><td>PC</td><td><input type="checkbox"/></td></tr> </table>	MF	<input checked="" type="checkbox"/>	SA	<input type="checkbox"/>	KL	<input type="checkbox"/>	HP	<input type="checkbox"/>	SSC	<input type="checkbox"/>	SMC	<input type="checkbox"/>	W	<input type="checkbox"/>	Z	<input type="checkbox"/>	PC	<input type="checkbox"/>
MF	<input checked="" type="checkbox"/>																						
SA	<input type="checkbox"/>																						
KL	<input type="checkbox"/>																						
HP	<input type="checkbox"/>																						
SSC	<input type="checkbox"/>																						
SMC	<input type="checkbox"/>																						
W	<input type="checkbox"/>																						
Z	<input type="checkbox"/>																						
PC	<input type="checkbox"/>																						
	ACET979 Vee Block	1	each	W20017	<table border="1"> <tr><td>MF</td><td><input checked="" type="checkbox"/></td></tr> <tr><td>SA</td><td><input type="checkbox"/></td></tr> <tr><td>KL</td><td><input type="checkbox"/></td></tr> <tr><td>HP</td><td><input type="checkbox"/></td></tr> <tr><td>SSC</td><td><input type="checkbox"/></td></tr> <tr><td>SMC</td><td><input type="checkbox"/></td></tr> <tr><td>W</td><td><input type="checkbox"/></td></tr> <tr><td>Z</td><td><input type="checkbox"/></td></tr> <tr><td>PC</td><td><input type="checkbox"/></td></tr> </table>	MF	<input checked="" type="checkbox"/>	SA	<input type="checkbox"/>	KL	<input type="checkbox"/>	HP	<input type="checkbox"/>	SSC	<input type="checkbox"/>	SMC	<input type="checkbox"/>	W	<input type="checkbox"/>	Z	<input type="checkbox"/>	PC	<input type="checkbox"/>
MF	<input checked="" type="checkbox"/>																						
SA	<input type="checkbox"/>																						
KL	<input type="checkbox"/>																						
HP	<input type="checkbox"/>																						
SSC	<input type="checkbox"/>																						
SMC	<input type="checkbox"/>																						
W	<input type="checkbox"/>																						
Z	<input type="checkbox"/>																						
PC	<input type="checkbox"/>																						
	ACET982 Vee Block	1	each	W20015 W20016	<table border="1"> <tr><td>MF</td><td><input checked="" type="checkbox"/></td></tr> <tr><td>SA</td><td><input type="checkbox"/></td></tr> <tr><td>KL</td><td><input type="checkbox"/></td></tr> <tr><td>HP</td><td><input type="checkbox"/></td></tr> <tr><td>SSC</td><td><input type="checkbox"/></td></tr> <tr><td>SMC</td><td><input type="checkbox"/></td></tr> <tr><td>W</td><td><input type="checkbox"/></td></tr> <tr><td>Z</td><td><input type="checkbox"/></td></tr> <tr><td>PC</td><td><input type="checkbox"/></td></tr> </table>	MF	<input checked="" type="checkbox"/>	SA	<input type="checkbox"/>	KL	<input type="checkbox"/>	HP	<input type="checkbox"/>	SSC	<input type="checkbox"/>	SMC	<input type="checkbox"/>	W	<input type="checkbox"/>	Z	<input type="checkbox"/>	PC	<input type="checkbox"/>
MF	<input checked="" type="checkbox"/>																						
SA	<input type="checkbox"/>																						
KL	<input type="checkbox"/>																						
HP	<input type="checkbox"/>																						
SSC	<input type="checkbox"/>																						
SMC	<input type="checkbox"/>																						
W	<input type="checkbox"/>																						
Z	<input type="checkbox"/>																						
PC	<input type="checkbox"/>																						
	ACGSL045 Drainage Cap	100	pack		<table border="1"> <tr><td>MF</td><td><input type="checkbox"/></td></tr> <tr><td>SA</td><td><input type="checkbox"/></td></tr> <tr><td>KL</td><td><input type="checkbox"/></td></tr> <tr><td>HP</td><td><input type="checkbox"/></td></tr> <tr><td>SSC</td><td><input type="checkbox"/></td></tr> <tr><td>SMC</td><td><input type="checkbox"/></td></tr> <tr><td>W</td><td><input checked="" type="checkbox"/></td></tr> <tr><td>Z</td><td><input checked="" type="checkbox"/></td></tr> <tr><td>PC</td><td><input type="checkbox"/></td></tr> </table>	MF	<input type="checkbox"/>	SA	<input type="checkbox"/>	KL	<input type="checkbox"/>	HP	<input type="checkbox"/>	SSC	<input type="checkbox"/>	SMC	<input type="checkbox"/>	W	<input checked="" type="checkbox"/>	Z	<input checked="" type="checkbox"/>	PC	<input type="checkbox"/>
MF	<input type="checkbox"/>																						
SA	<input type="checkbox"/>																						
KL	<input type="checkbox"/>																						
HP	<input type="checkbox"/>																						
SSC	<input type="checkbox"/>																						
SMC	<input type="checkbox"/>																						
W	<input checked="" type="checkbox"/>																						
Z	<input checked="" type="checkbox"/>																						
PC	<input type="checkbox"/>																						
	ACMX863 M5 X 100mm DIN 965 Screw	10	pack	ACCY3045NKS1 ACCY4525NKTT33 PCX41 W20046 W20129 W20149	<table border="1"> <tr><td>MF</td><td><input checked="" type="checkbox"/></td></tr> <tr><td>SA</td><td><input type="checkbox"/></td></tr> <tr><td>KL</td><td><input type="checkbox"/></td></tr> <tr><td>HP</td><td><input type="checkbox"/></td></tr> <tr><td>SSC</td><td><input type="checkbox"/></td></tr> <tr><td>SMC</td><td><input type="checkbox"/></td></tr> <tr><td>W</td><td><input type="checkbox"/></td></tr> <tr><td>Z</td><td><input type="checkbox"/></td></tr> <tr><td>PC</td><td><input type="checkbox"/></td></tr> </table>	MF	<input checked="" type="checkbox"/>	SA	<input type="checkbox"/>	KL	<input type="checkbox"/>	HP	<input type="checkbox"/>	SSC	<input type="checkbox"/>	SMC	<input type="checkbox"/>	W	<input type="checkbox"/>	Z	<input type="checkbox"/>	PC	<input type="checkbox"/>
MF	<input checked="" type="checkbox"/>																						
SA	<input type="checkbox"/>																						
KL	<input type="checkbox"/>																						
HP	<input type="checkbox"/>																						
SSC	<input type="checkbox"/>																						
SMC	<input type="checkbox"/>																						
W	<input type="checkbox"/>																						
Z	<input type="checkbox"/>																						
PC	<input type="checkbox"/>																						
 <p>T-BARS ACVG665=2.5mm ACVG666=3.0mm ACVL150=4.0mm</p>  <p>Screw (Grub)</p>	<p>MF = Mill Finish SA = Silver Anodised KL = Basic Colour HP = Special Colour SSC = Smooth Satin Chrome SMC = Smokey Chrome PC = Polished Chrome</p> <p>W = White Z = Black</p>																						

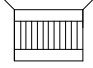
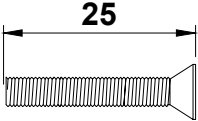
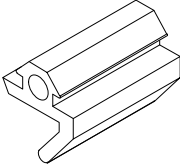
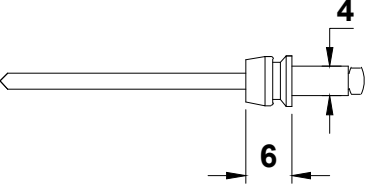



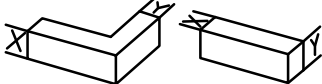
ACCESSORIES : PHOTOS & DRAWINGS

Image	Part Code	Pack	Unit	Application	Colour	
	ACPD690 Roller Latch	1	each	W20465	MF	
					SA	
					KL	
					HP	
					SSC	
					SMC	
					W	
					Z	
					PC	
						ACRV032 Sealing Gasket for Coupler
SA						
KL						
HP						
SSC						
SMC						
W						
Z	✓					
PC						
	ACSM001N Art Deco Lever/Lever Door Handle	1	pair	ACSM025		
					SA	
					KL	
					HP	
					SSC	
					SMC	
					W	✓
					Z	
					PC	✓
					 <p>External Handle</p> <p>(Left Shown)</p>	ACSM025L/R Art Deco Dummy Door Handles No Cylinder Handles are Fixed in Position
SA						
KL						
HP						
SSC						
SMC						
W	✓					
Z						
PC	✓					
	ACSM060 Heritage Lever/Lever Handle	1	pair	ACW20065 ACW20465 ACW20466		
					SA	
					KL	
					HP	
					SSC	
					SMC	
					W	
					Z	✓
					PC	✓
					 <p>T-BARS ACVG66=2.5mm ACVG66=3.0mm ACVL150=4.0mm</p>  <p>Screw (Grub)</p>	MF = Mill Finish SA = Silver Anodised KL = Basic Colour HP = Special Colour SSC = Smooth Satin Chrome SMC = Smokey Chrome PC = Polished Chrome

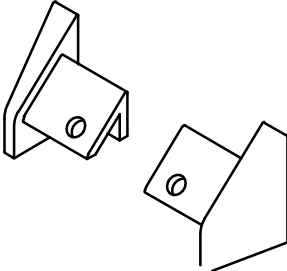
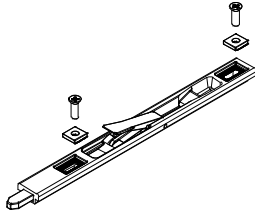

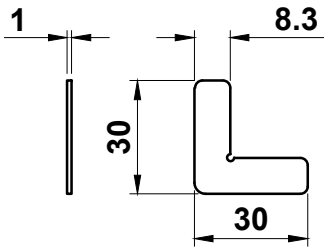
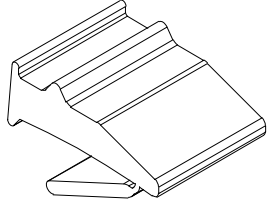


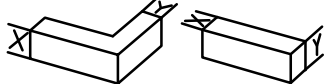
ACCESSORIES : PHOTOS & DRAWINGS

Image	Part Code	Pack	Unit	Application	Colour	
<p>External Handle (Left Shown)</p>	ACSM061L/R Heritage Dummy Lever Handle Handles are Fixed in Position	1	pair	ACSM060	MF	
					SA	
					KL	
					HP	
					SSC	
					SMC	
					W	
					Z	✓
					PC	✓
	ACSM062 Heritage Lever/Lever Handle (No Euro cylinder)	1	pair	ACW20065 ACW20465 ACW20466	MF	
					SA	
					KL	
					HP	
					SSC	
					SMC	
					W	
					Z	✓
					PC	✓
<p>ACUN230: B = 160mm ACUN232: B = 240mm ACUN233: B = 280mm</p>	ACUN23X Screw Fixing Lug B x 38mm x 2mm	100	Pack	ETC451 ETC452 ETC457 ETC458 ETC478 ETC479	MF	
					SA	
					KL	
					HP	
					SSC	
					SMC	
					W	
					Z	
					PC	✓
	ACUN3000 UN3000 End Cap	10	pack	UN3000	MF	
					SA	
					KL	
					HP	
					SSC	
					SMC	
					W	
					Z	✓
					PC	
<p>32</p>	ACUN3512 No.8 X 32mm CSK SS Pozi Screw	100	pack		MF	
					SA	
					KL	
					HP	
					SSC	
					SMC	
					W	
					Z	
					PC	✓
<p>T-BARS ACVG66=2.5mm ACVG66=3.0mm ACVL150=4.0mm</p> <p>Screw (Grub)</p>	MF = Mill Finish SA = Silver Anodised KL = Basic Colour HP = Special Colour SSC = Smooth Satin Chrome SMC = Smokey Chrome PC = Polished Chrome	W = White Z = Black				

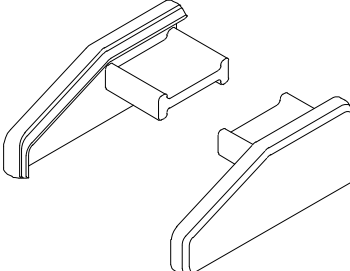
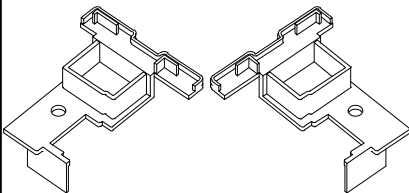
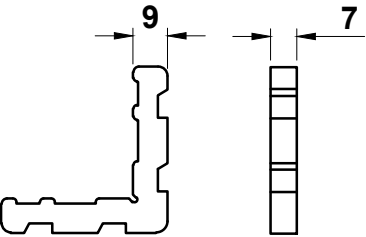
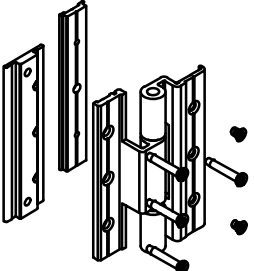
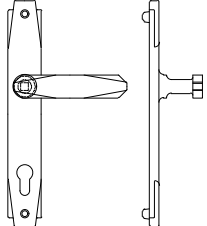


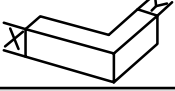
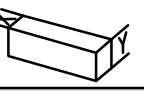
ACCESSORIES : PHOTOS & DRAWINGS

Image	Part Code	Pack	Unit	Application	Colour																		
	ACUN3532 M4 Threaded Insert	20	pack	PAS24 Requirement	<table border="1"> <tr><td>MF</td><td>✓</td></tr> <tr><td>SA</td><td></td></tr> <tr><td>KL</td><td></td></tr> <tr><td>HP</td><td></td></tr> <tr><td>SSC</td><td></td></tr> <tr><td>SMC</td><td></td></tr> <tr><td>W</td><td></td></tr> <tr><td>Z</td><td></td></tr> <tr><td>PC</td><td></td></tr> </table>	MF	✓	SA		KL		HP		SSC		SMC		W		Z		PC	
MF	✓																						
SA																							
KL																							
HP																							
SSC																							
SMC																							
W																							
Z																							
PC																							
	ACUN3537 M4 X 25mm Pozi CSK M/C Screw	100	pack	ACET269 W20015 W20016 W20017 W20111 W20112	<table border="1"> <tr><td>MF</td><td>✓</td></tr> <tr><td>SA</td><td></td></tr> <tr><td>KL</td><td></td></tr> <tr><td>HP</td><td></td></tr> <tr><td>SSC</td><td></td></tr> <tr><td>SMC</td><td></td></tr> <tr><td>W</td><td></td></tr> <tr><td>Z</td><td></td></tr> <tr><td>PC</td><td></td></tr> </table>	MF	✓	SA		KL		HP		SSC		SMC		W		Z		PC	
MF	✓																						
SA																							
KL																							
HP																							
SSC																							
SMC																							
W																							
Z																							
PC																							
	ACVL032 EPDM Flipper Gasket	100	m		<table border="1"> <tr><td>MF</td><td></td></tr> <tr><td>SA</td><td></td></tr> <tr><td>KL</td><td></td></tr> <tr><td>HP</td><td></td></tr> <tr><td>SSC</td><td></td></tr> <tr><td>SMC</td><td></td></tr> <tr><td>W</td><td></td></tr> <tr><td>Z</td><td>✓</td></tr> <tr><td>PC</td><td></td></tr> </table>	MF		SA		KL		HP		SSC		SMC		W		Z	✓	PC	
MF																							
SA																							
KL																							
HP																							
SSC																							
SMC																							
W																							
Z	✓																						
PC																							
	ACVL061 Rivet to secure VL72	100	Pack	ETC572 VL72	<table border="1"> <tr><td>MF</td><td>✓</td></tr> <tr><td>SA</td><td></td></tr> <tr><td>KL</td><td></td></tr> <tr><td>HP</td><td></td></tr> <tr><td>SSC</td><td></td></tr> <tr><td>SMC</td><td></td></tr> <tr><td>W</td><td></td></tr> <tr><td>Z</td><td></td></tr> <tr><td>PC</td><td></td></tr> </table>	MF	✓	SA		KL		HP		SSC		SMC		W		Z		PC	
MF	✓																						
SA																							
KL																							
HP																							
SSC																							
SMC																							
W																							
Z																							
PC																							
	ACVL069 Astragal Bar Tape 20mm x 1mm	33	m	W20166	<table border="1"> <tr><td>MF</td><td></td></tr> <tr><td>SA</td><td></td></tr> <tr><td>KL</td><td></td></tr> <tr><td>HP</td><td></td></tr> <tr><td>SSC</td><td></td></tr> <tr><td>SMC</td><td></td></tr> <tr><td>W</td><td></td></tr> <tr><td>Z</td><td>✓</td></tr> <tr><td>PC</td><td></td></tr> </table>	MF		SA		KL		HP		SSC		SMC		W		Z	✓	PC	
MF																							
SA																							
KL																							
HP																							
SSC																							
SMC																							
W																							
Z	✓																						
PC																							
 <p>T-BARS ACVG65=2.5mm ACVG66=3.0mm ACVL150=4.0mm</p>  <p>Screw (Grub)</p>	<p>MF = Mill Finish SA = Silver Anodised KL = Basic Colour HP = Special Colour SSC = Smooth Satin Chrome SMC = Smokey Chrome PC = Polished Chrome</p>	<p>W = White Z = Black</p>																					

ACCESSORIES : PHOTOS & DRAWINGS

Image	Part Code	Pack	Unit	Application																			
	ACVL072 Cast End Cap	2	Pair	VL72	<table border="1"> <tr><td>MF</td><td></td></tr> <tr><td>SA</td><td></td></tr> <tr><td>KL</td><td>✓</td></tr> <tr><td>HP</td><td>✓</td></tr> <tr><td>SSC</td><td></td></tr> <tr><td>SMC</td><td></td></tr> <tr><td>W</td><td>✓</td></tr> <tr><td>Z</td><td>✓</td></tr> <tr><td>PC</td><td></td></tr> </table>	MF		SA		KL	✓	HP	✓	SSC		SMC		W	✓	Z	✓	PC	
MF																							
SA																							
KL	✓																						
HP	✓																						
SSC																							
SMC																							
W	✓																						
Z	✓																						
PC																							
	ACVL432 Shoot Bolt	1	each	ACW20065 W20048 ACW20432	<table border="1"> <tr><td>MF</td><td>✓</td></tr> <tr><td>SA</td><td></td></tr> <tr><td>KL</td><td></td></tr> <tr><td>HP</td><td></td></tr> <tr><td>SSC</td><td></td></tr> <tr><td>SMC</td><td></td></tr> <tr><td>W</td><td></td></tr> <tr><td>Z</td><td></td></tr> <tr><td>PC</td><td></td></tr> </table>	MF	✓	SA		KL		HP		SSC		SMC		W		Z		PC	
MF	✓																						
SA																							
KL																							
HP																							
SSC																							
SMC																							
W																							
Z																							
PC																							
	ACVS033 4.8mm x 9mm Black Woolpile with Fin	150	m	W20270 W20271 W20272 W20274	<table border="1"> <tr><td>MF</td><td></td></tr> <tr><td>SA</td><td></td></tr> <tr><td>KL</td><td></td></tr> <tr><td>HP</td><td></td></tr> <tr><td>SSC</td><td></td></tr> <tr><td>SMC</td><td></td></tr> <tr><td>W</td><td></td></tr> <tr><td>Z</td><td>✓</td></tr> <tr><td>PC</td><td></td></tr> </table>	MF		SA		KL		HP		SSC		SMC		W		Z	✓	PC	
MF																							
SA																							
KL																							
HP																							
SSC																							
SMC																							
W																							
Z	✓																						
PC																							
	ACW20024 Stainless Steel Chevron	100	pack	W20027 W20125N W20127	<table border="1"> <tr><td>MF</td><td>✓</td></tr> <tr><td>SA</td><td></td></tr> <tr><td>KL</td><td></td></tr> <tr><td>HP</td><td></td></tr> <tr><td>SSC</td><td></td></tr> <tr><td>SMC</td><td></td></tr> <tr><td>W</td><td></td></tr> <tr><td>Z</td><td></td></tr> <tr><td>PC</td><td></td></tr> </table>	MF	✓	SA		KL		HP		SSC		SMC		W		Z		PC	
MF	✓																						
SA																							
KL																							
HP																							
SSC																							
SMC																							
W																							
Z																							
PC																							
	ACW20038 4-3mm Tear-away Low-line EPDM Wedge Gasket Black Only	200	m		<table border="1"> <tr><td>MF</td><td></td></tr> <tr><td>SA</td><td></td></tr> <tr><td>KL</td><td></td></tr> <tr><td>HP</td><td></td></tr> <tr><td>SSC</td><td></td></tr> <tr><td>SMC</td><td></td></tr> <tr><td>W</td><td></td></tr> <tr><td>Z</td><td>✓</td></tr> <tr><td>PC</td><td></td></tr> </table>	MF		SA		KL		HP		SSC		SMC		W		Z	✓	PC	
MF																							
SA																							
KL																							
HP																							
SSC																							
SMC																							
W																							
Z	✓																						
PC																							
 <p>T-BARS ACVG65=2.5mm ACVG66=3.0mm ACVL150=4.0mm</p>  <p>Screw (Grub)</p>	<p>MF = Mill Finish SA = Silver Anodised KL = Basic Colour HP = Special Colour SSC = Smooth Satin Chrome SMC = Smokey Chrome PC = Polished Chrome</p>	<p>W = White Z = Black</p>																					

ACCESSORIES : PHOTOS & DRAWINGS

Image	Part Code	Pack	Unit	Application	Colour	
	ACW20039 Transom End Caps	10	pairs	W20039	MF	
					SA	
					KL	
					HP	
					SSC	
					SMC	
					W	✓
					Z	✓
					PC	
	ACW20048 End Cap	10	pairs	W20048	MF	
					SA	
					KL	
					HP	
					SSC	
					SMC	
					W	✓
					Z	✓
					PC	
	ACW20056 Corner Cleat	24	pack	W20027 W20127	MF	✓
					SA	
					KL	
					HP	
					SSC	
					SMC	
					W	
					Z	
					PC	
	ACW20060 Open Out Butt Hinge	1	each	W20027 W20127	MF	✓
					SA	
					KL	✓
					HP	✓
					SSC	
					SMC	
					W	✓
					Z	✓
					PC	
	ACW20062 Art Deco Lever / Lever Handle Includes Cylinder Cut Out Available in Antique Brass and Satin Nickel Plate	1	Pair	ACW20065 ACW20465 ACW20466	MF	
					SA	
					KL	✓
					HP	✓
					SSC	
					SMC	
					W	✓
					Z	✓
					PC	✓
 T-BARS ACVG66=2.5mm ACVG66=3.0mm ACVL150=4.0mm	 Screw (Grub)	MF = Mill Finish SA = Silver Anodised KL = Basic Colour HP = Special Colour SSC = Smooth Satin Chrome SMC = Smokey Chrome PC = Polished Chrome	W = White Z = Black	 		

ACCESSORIES : PHOTOS & DRAWINGS

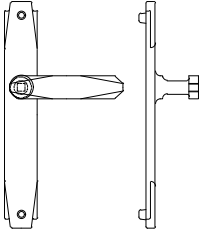


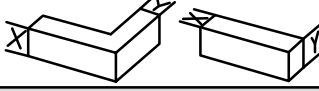
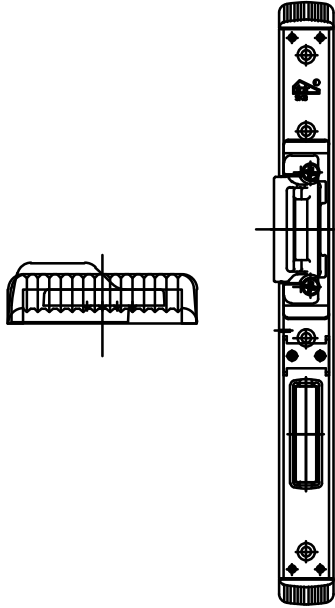
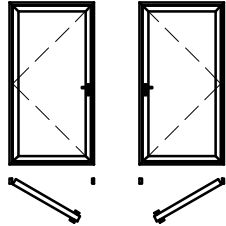
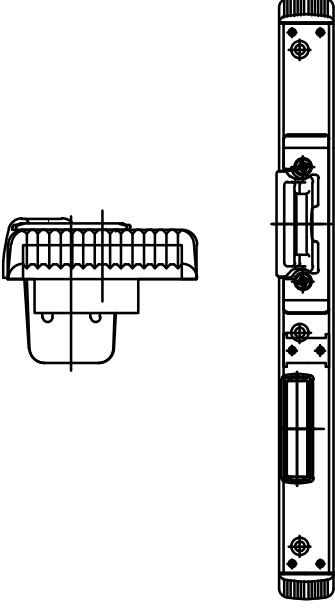
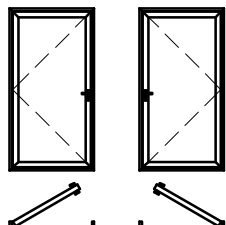
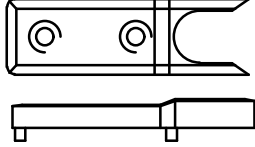

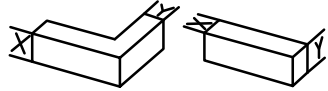
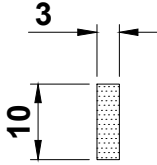
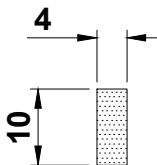
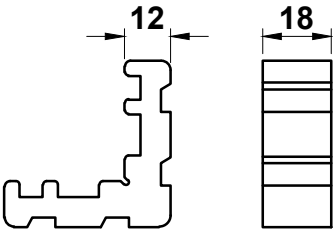
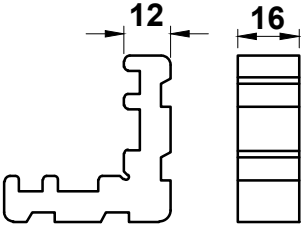
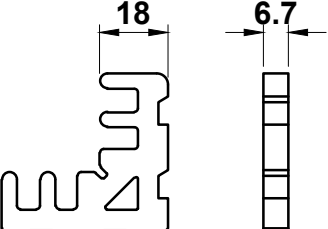


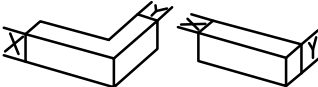
Image	Part Code	Pack	Unit	Application	Colour
	<p>ACW20063</p> <p>Art Deco Dummy Lever Handle Without Cylinder Cut Out</p> <p>Available in Antique Brass and Satin Nickel Plate</p>	1	Pair	<p>ACW20062 ACW20263</p>	MF
					SA
					KL
					HP
					SSC
					SMC
					W
					Z
					PC
					SA
					KL
					HP
					SSC
					SMC
					W
					Z
					PC
					MF
					SA
					KL
					HP
					SSC
					SMC
					W
					Z
					PC
					MF
					SA
					KL
					HP
					SSC
					SMC
					W
					Z
					PC
 <p>T-BARS ACVG665=2.5mm ACVG666=3.0mm ACVL150=4.0mm</p>  <p>Screw (Grub)</p>	<p>MF = Mill Finish</p> <p>SA = Silver Anodised</p> <p>KL = Basic Colour</p> <p>HP = Special Colour</p> <p>SSC = Smooth Satin Chrome</p> <p>SMC = Smokey Chrome</p> <p>PC = Polished Chrome</p>	<p>W = White</p> <p>Z = Black</p>			

Image	Part Code	Pack	Unit	Application	Colour																		
	<p>ACW20065</p> <p>Open In & Open Out Standard Primary Lock 55mm Set Back</p>	<p>1</p>	<p>each</p>	<p>ACVL432 ACW20066 ACW20067 ACW20166 W20027 W20125N W20127</p>	<table border="1"> <tr><td>MF</td><td>✓</td></tr> <tr><td>SA</td><td></td></tr> <tr><td>KL</td><td></td></tr> <tr><td>HP</td><td></td></tr> <tr><td>SSC</td><td></td></tr> <tr><td>SMC</td><td></td></tr> <tr><td>W</td><td></td></tr> <tr><td>Z</td><td></td></tr> <tr><td>PC</td><td></td></tr> </table>	MF	✓	SA		KL		HP		SSC		SMC		W		Z		PC	
MF	✓																						
SA																							
KL																							
HP																							
SSC																							
SMC																							
W																							
Z																							
PC																							
<p>T-BARS ACVG65=2.5mm ACVG66=3.0mm ACVL150=4.0mm</p> <p>Screw (Grub)</p>	<p>MF = Mill Finish SA = Silver Anodised KL = Basic Colour HP = Special Colour SSC = Smooth Satin Chrome SMC = Smokey Chrome PC = Polished Chrome</p>	<p>W = White Z = Black</p>																					

Image	Part Code	Pack	Unit	Application	Colour																		
	ACW20066 L/R Open Out Centre Keep Viewed Externally  Left Hand Open Out Right Hand Open Out	1	each	W20027 W20124 W20127 ACW20065 ACW20067 ACW20367 ACW20465	<table border="1"> <tr><td>MF</td><td>✓</td></tr> <tr><td>SA</td><td></td></tr> <tr><td>KL</td><td></td></tr> <tr><td>HP</td><td></td></tr> <tr><td>SSC</td><td></td></tr> <tr><td>SMC</td><td></td></tr> <tr><td>W</td><td></td></tr> <tr><td>Z</td><td></td></tr> <tr><td>PC</td><td></td></tr> </table>	MF	✓	SA		KL		HP		SSC		SMC		W		Z		PC	
					MF	✓																	
SA																							
KL																							
HP																							
SSC																							
SMC																							
W																							
Z																							
PC																							
	ACW20166 L/R Open In Centre Keep Viewed Externally  Right Hand Open In Left Hand Open In	1	each	W20125 W20129 ACW20065 ACW20067 ACW20367 ACW20465	<table border="1"> <tr><td>MF</td><td>✓</td></tr> <tr><td>SA</td><td></td></tr> <tr><td>KL</td><td></td></tr> <tr><td>HP</td><td></td></tr> <tr><td>SSC</td><td></td></tr> <tr><td>SMC</td><td></td></tr> <tr><td>W</td><td></td></tr> <tr><td>Z</td><td></td></tr> <tr><td>PC</td><td></td></tr> </table>	MF	✓	SA		KL		HP		SSC		SMC		W		Z		PC	
					MF	✓																	
SA																							
KL																							
HP																							
SSC																							
SMC																							
W																							
Z																							
PC																							
	ACW20067 Roller Keeps	4	set	ACW20065 W20015 W20048	<table border="1"> <tr><td>MF</td><td></td></tr> <tr><td>SA</td><td></td></tr> <tr><td>KL</td><td></td></tr> <tr><td>HP</td><td></td></tr> <tr><td>SSC</td><td></td></tr> <tr><td>SMC</td><td></td></tr> <tr><td>W</td><td></td></tr> <tr><td>Z</td><td>✓</td></tr> <tr><td>PC</td><td></td></tr> </table>	MF		SA		KL		HP		SSC		SMC		W		Z	✓	PC	
					MF																		
SA																							
KL																							
HP																							
SSC																							
SMC																							
W																							
Z	✓																						
PC																							
 <p>T-BARS ACVG65=2.5mm ACVG66=3.0mm ACVL150=4.0mm</p> <p>Screw (Grub)</p>	<p>MF = Mill Finish W = White SA = Silver Anodised Z = Black KL = Basic Colour HP = Special Colour SSC = Smooth Satin Chrome SMC = Smokey Chrome PC = Polished Chrome</p>																						

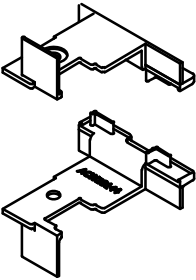
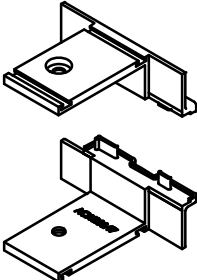
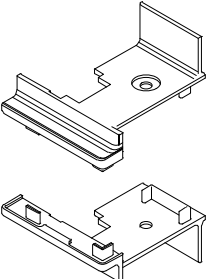
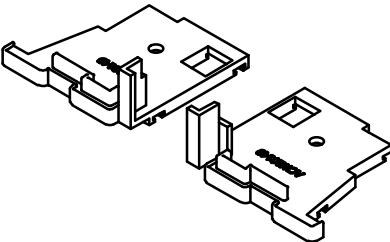
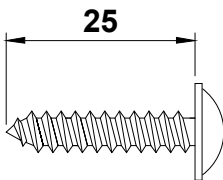


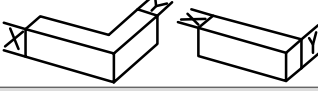
ACCESSORIES : PHOTOS & DRAWINGS

Image	Part Code	Pack	Unit	Application	Colour																		
	ACW20073 3mm x 10mm Glazing Tape	20	m	W20026 W20127	<table border="1"> <tr><td>MF</td><td>✓</td></tr> <tr><td>SA</td><td></td></tr> <tr><td>KL</td><td></td></tr> <tr><td>HP</td><td></td></tr> <tr><td>SSC</td><td></td></tr> <tr><td>SMC</td><td></td></tr> <tr><td>W</td><td></td></tr> <tr><td>Z</td><td></td></tr> <tr><td>PC</td><td></td></tr> </table>	MF	✓	SA		KL		HP		SSC		SMC		W		Z		PC	
MF	✓																						
SA																							
KL																							
HP																							
SSC																							
SMC																							
W																							
Z																							
PC																							
	ACW20074 4mm x 10mm Glazing Tape	15	m	W20026 W20127	<table border="1"> <tr><td>MF</td><td>✓</td></tr> <tr><td>SA</td><td></td></tr> <tr><td>KL</td><td></td></tr> <tr><td>HP</td><td></td></tr> <tr><td>SSC</td><td></td></tr> <tr><td>SMC</td><td></td></tr> <tr><td>W</td><td></td></tr> <tr><td>Z</td><td></td></tr> <tr><td>PC</td><td></td></tr> </table>	MF	✓	SA		KL		HP		SSC		SMC		W		Z		PC	
MF	✓																						
SA																							
KL																							
HP																							
SSC																							
SMC																							
W																							
Z																							
PC																							
	ACW20110 Crimping Cleat	24	pack	W20110	<table border="1"> <tr><td>MF</td><td>✓</td></tr> <tr><td>SA</td><td></td></tr> <tr><td>KL</td><td></td></tr> <tr><td>HP</td><td></td></tr> <tr><td>SSC</td><td></td></tr> <tr><td>SMC</td><td></td></tr> <tr><td>W</td><td></td></tr> <tr><td>Z</td><td></td></tr> <tr><td>PC</td><td></td></tr> </table>	MF	✓	SA		KL		HP		SSC		SMC		W		Z		PC	
MF	✓																						
SA																							
KL																							
HP																							
SSC																							
SMC																							
W																							
Z																							
PC																							
	ACW20117 Crimping Cleat	24	pack	W20017 W20112	<table border="1"> <tr><td>MF</td><td>✓</td></tr> <tr><td>SA</td><td></td></tr> <tr><td>KL</td><td></td></tr> <tr><td>HP</td><td></td></tr> <tr><td>SSC</td><td></td></tr> <tr><td>SMC</td><td></td></tr> <tr><td>W</td><td></td></tr> <tr><td>Z</td><td></td></tr> <tr><td>PC</td><td></td></tr> </table>	MF	✓	SA		KL		HP		SSC		SMC		W		Z		PC	
MF	✓																						
SA																							
KL																							
HP																							
SSC																							
SMC																							
W																							
Z																							
PC																							
	ACW20121 Crimping Cleat	24	pack	W20124	<table border="1"> <tr><td>MF</td><td>✓</td></tr> <tr><td>SA</td><td></td></tr> <tr><td>KL</td><td></td></tr> <tr><td>HP</td><td></td></tr> <tr><td>SSC</td><td></td></tr> <tr><td>SMC</td><td></td></tr> <tr><td>W</td><td></td></tr> <tr><td>Z</td><td></td></tr> <tr><td>PC</td><td></td></tr> </table>	MF	✓	SA		KL		HP		SSC		SMC		W		Z		PC	
MF	✓																						
SA																							
KL																							
HP																							
SSC																							
SMC																							
W																							
Z																							
PC																							
 	MF = Mill Finish SA = Silver Anodised KL = Basic Colour HP = Special Colour SSC = Smooth Satin Chrome SMC = Smokey Chrome PC = Polished Chrome	W = White Z = Black																					

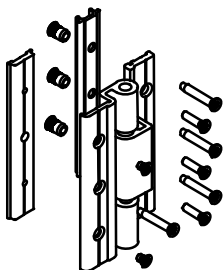
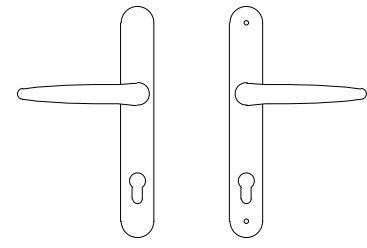
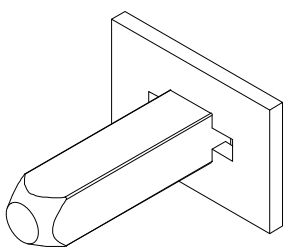
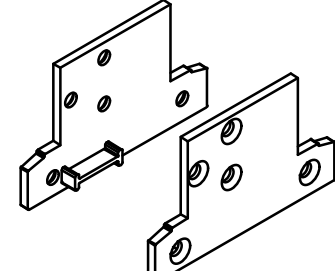
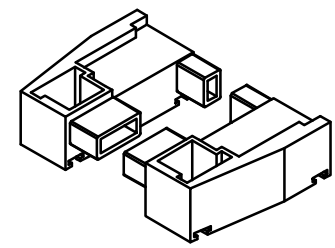


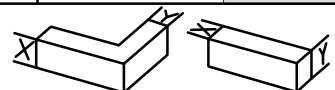
ACCESSORIES : PHOTOS & DRAWINGS

Image	Part Code	Pack	Unit	Application	Colour	
	ACW20125 Crimping Cleat	24	pack	W20125N	MF	✓
					SA	
					KL	
					HP	
					SSC	
					SMC	
					W	
					Z	
					PC	
	ACW20126 Crimping Cleat	24	pack	W20125N	MF	✓
					SA	
					KL	
					HP	
					SSC	
					SMC	
					W	
					Z	
					PC	
	ACW20127 Crimping Cleat	24	pack	W20027 W20124 W20127	MF	✓
					SA	
					KL	
					HP	
					SSC	
					SMC	
					W	
					Z	
					PC	
	ACW20138 L/R 285mm Pre Prepared Lock Casing Open In & Open Out	1	each	W20027 W20127 W20125N	MF	✓
					SA	
					KL	✓
					HP	✓
					SSC	
					SMC	
					W	✓
					Z	✓
					PC	
	ACW20140 L/R 285mm Pre Prepared Lock Casing Open In & Out	1	each	W20124 W20129	MF	✓
					SA	
					KL	✓
					HP	✓
					SSC	
					SMC	
					W	✓
					Z	✓
					PC	
	MF = Mill Finish SA = Silver Anodised KL = Basic Colour HP = Special Colour SSC = Smooth Satin Chrome SMC = Smokey Chrome PC = Polished Chrome	W = White Z = Black				

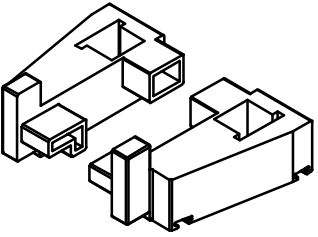
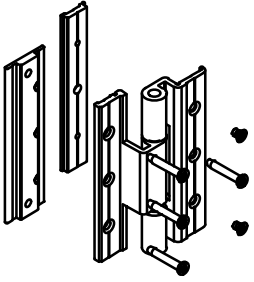
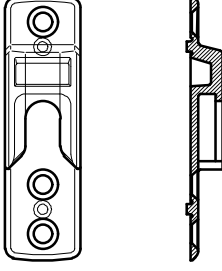
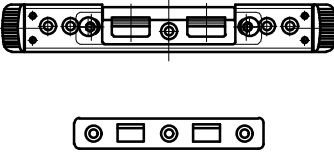
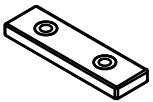


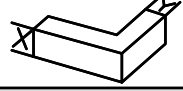
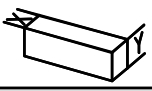
ACCESSORIES : PHOTOS & DRAWINGS

Image	Part Code	Pack	Unit	Application	Colour	
	ACW20144 End Cap	1	pair	W20046	MF	
					SA	
					KL	
					HP	
					SSC	
					SMC	
					W	✓
					Z	✓
					PC	
	ACW20147 End Cap	1	pair	W20046	MF	
					SA	
					KL	
					HP	
					SSC	
					SMC	
					W	✓
					Z	✓
					PC	
	ACW20148 End Caps (10 Pairs Per Pack)	10	pair	W20148	MF	
					SA	
					KL	
					HP	
					SSC	
					SMC	
					W	✓
					Z	✓
					PC	
	ACW20149 End Caps	1	pair	W20149	MF	
					SA	
					KL	
					HP	
					SSC	
					SMC	
					W	✓
					Z	✓
					PC	
	ACW20160 No.12 x 1" Pozi Flange Stainless Steel Self Tapper	100	pack	W20015 W20016 W20111	MF	✓
					SA	
					KL	
					HP	
					SSC	
					SMC	
					W	
					Z	
					PC	
 <p>T-BARS ACVG66=2.5mm ACVG66=3.0mm ACVL150=4.0mm</p>  <p>Screw (Grub)</p>	MF = Mill Finish SA = Silver Anodised KL = Basic Colour HP = Special Colour SSC = Smooth Satin Chrome SMC = Smokey Chrome PC = Polished Chrome	W = White Z = Black				

ACCESSORIES : PHOTOS & DRAWINGS

Image	Part Code	Pack	Unit	Application	Colour
	ACW20164 Open In Hinge Kit	1	each	W20125N W20129	MF
					SA
					KL
					HP
					SSC
					SMC
					W
					Z
					PC
	ACW20261 Standard Lever/Lever Handle Fixing kit supplied	1	pair	ACW20065 ACW20465 ACW20466	MF
					SA
					KL
					HP
					SSC
					SMC
					W
					Z
					PC
	ACW20263 Fixed Lever Block	1	each	ACW20063	MF
					SA
					KL
					HP
					SSC
					SMC
					W
					Z
					PC
	ACW20270 End Caps	2	pair	W20270	MF
					SA
					KL
					HP
					SSC
					SMC
					W
					Z
					PC
	ACW20272 End Caps	1	pair	W20272	MF
					SA
					KL
					HP
					SSC
					SMC
					W
					Z
					PC
 T-BARS ACVG65=2.5mm ACVG66=3.0mm ACVL150=4.0mm  Screw (Grub)	MF = Mill Finish SA = Silver Anodised KL = Basic Colour HP = Special Colour SSC = Smooth Satin Chrome SMC = Smokey Chrome PC = Polished Chrome	W = White Z = Black			

ACCESSORIES : PHOTOS & DRAWINGS

Image	Part Code	Pack	Unit	Application	Colour	
	ACW20292 End Caps	1	pair	W20274	MF	
					SA	
					KL	
					HP	
					SSC	
					SMC	
					W	✓
					Z	✓
					PC	
	ACW20360 PAS24 Open Out Hinge Kit	1	each	W20124	MF	✓
					SA	
					KL	✓
					HP	✓
					SSC	
					SMC	
					W	✓
					Z	✓
					PC	
	ACW20367 PAS24 Rollers Keep	1	each	ACW20465 ACW20466	MF	✓
					SA	
					KL	
					HP	
					SSC	
					SMC	
					W	
					Z	
					PC	
	ACW20375 Hinge Protectors	1	each	W20124 W20129 ACW20164 ACW20360	MF	✓
					SA	
					KL	
					HP	
					SSC	
					SMC	
					W	
					Z	
					PC	
	ACW20382 M4 Fixing Plate	10	pack	ACET269 W20015 W20016 W20017 W20111 W20112	MF	✓
					SA	
					KL	
					HP	
					SSC	
					SMC	
					W	
					Z	
					PC	
 <small>T-BARS ACVG65=2.5mm ACVG66=3.0mm ACVL150=4.0mm</small>	MF = Mill Finish SA = Silver Anodised KL = Basic Colour HP = Special Colour SSC = Smooth Satin Chrome SMC = Smokey Chrome PC = Polished Chrome	W = White Z = Black	 <small>Screw (Grub)</small>	 		

ACCESSORIES : PHOTOS & DRAWINGS

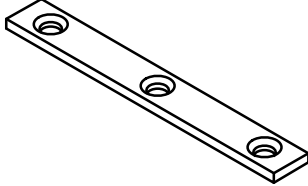
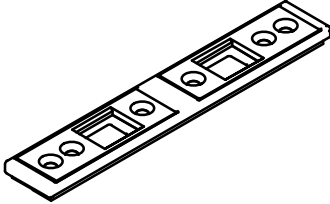
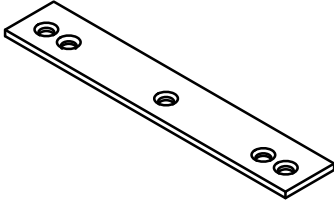
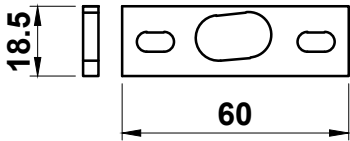
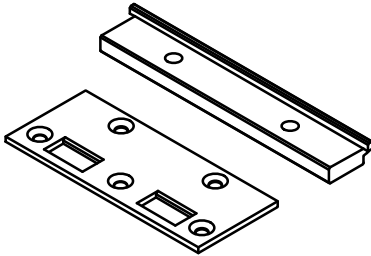


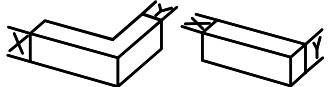
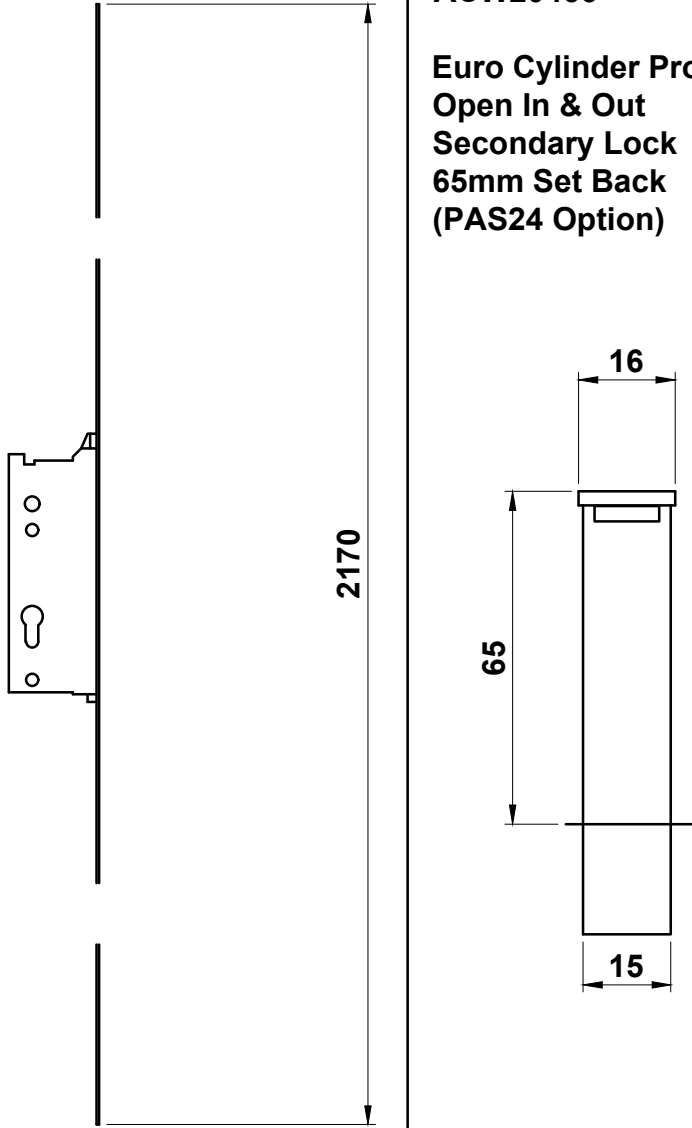
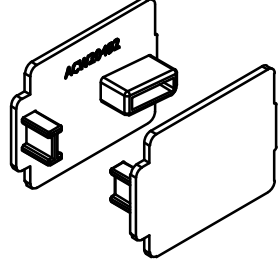

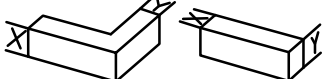
Image	Part Code	Pack	Unit	Application	Colour																		
	ACW20383 PAS24 M4 Fixing Plate	8	Pack	W20129	<table border="1"> <tr><td>MF</td><td></td></tr> <tr><td>SA</td><td></td></tr> <tr><td>KL</td><td></td></tr> <tr><td>HP</td><td></td></tr> <tr><td>SSC</td><td></td></tr> <tr><td>SMC</td><td></td></tr> <tr><td>W</td><td></td></tr> <tr><td>Z</td><td>✓</td></tr> <tr><td>PC</td><td></td></tr> </table>	MF		SA		KL		HP		SSC		SMC		W		Z	✓	PC	
MF																							
SA																							
KL																							
HP																							
SSC																							
SMC																							
W																							
Z	✓																						
PC																							
	ACW20385 Double Door Keep Kit	1	each	W20015 W20016 W20017 W20111 W20112 W20129	<table border="1"> <tr><td>MF</td><td>✓</td></tr> <tr><td>SA</td><td></td></tr> <tr><td>KL</td><td></td></tr> <tr><td>HP</td><td></td></tr> <tr><td>SSC</td><td></td></tr> <tr><td>SMC</td><td></td></tr> <tr><td>W</td><td></td></tr> <tr><td>Z</td><td></td></tr> <tr><td>PC</td><td></td></tr> </table>	MF	✓	SA		KL		HP		SSC		SMC		W		Z		PC	
MF	✓																						
SA																							
KL																							
HP																							
SSC																							
SMC																							
W																							
Z																							
PC																							
	ACW20386 PAS24 M4 Fixing Plate	8	Pack	W20015 W20016 W20017 W20111 W20112	<table border="1"> <tr><td>MF</td><td></td></tr> <tr><td>SA</td><td></td></tr> <tr><td>KL</td><td></td></tr> <tr><td>HP</td><td></td></tr> <tr><td>SSC</td><td></td></tr> <tr><td>SMC</td><td></td></tr> <tr><td>W</td><td></td></tr> <tr><td>Z</td><td>✓</td></tr> <tr><td>PC</td><td></td></tr> </table>	MF		SA		KL		HP		SSC		SMC		W		Z	✓	PC	
MF																							
SA																							
KL																							
HP																							
SSC																							
SMC																							
W																							
Z	✓																						
PC																							
	ACW20432 Shootbolt Keep	2	pack	W20015 W20016 W20017 W20111 W20112 ACVL432	<table border="1"> <tr><td>MF</td><td>✓</td></tr> <tr><td>SA</td><td></td></tr> <tr><td>KL</td><td></td></tr> <tr><td>HP</td><td></td></tr> <tr><td>SSC</td><td></td></tr> <tr><td>SMC</td><td></td></tr> <tr><td>W</td><td></td></tr> <tr><td>Z</td><td></td></tr> <tr><td>PC</td><td></td></tr> </table>	MF	✓	SA		KL		HP		SSC		SMC		W		Z		PC	
MF	✓																						
SA																							
KL																							
HP																							
SSC																							
SMC																							
W																							
Z																							
PC																							
	ACW20437 Double Door Keep	1	Kit	W20015 W20016 W20017 W20111 W20112 W20124	<table border="1"> <tr><td>MF</td><td>✓</td></tr> <tr><td>SA</td><td></td></tr> <tr><td>KL</td><td></td></tr> <tr><td>HP</td><td></td></tr> <tr><td>SSC</td><td></td></tr> <tr><td>SMC</td><td></td></tr> <tr><td>W</td><td></td></tr> <tr><td>Z</td><td></td></tr> <tr><td>PC</td><td></td></tr> </table>	MF	✓	SA		KL		HP		SSC		SMC		W		Z		PC	
MF	✓																						
SA																							
KL																							
HP																							
SSC																							
SMC																							
W																							
Z																							
PC																							
 <p>T-BARS ACVG65=2.5mm ACVG66=3.0mm ACVL150=4.0mm</p>  <p>Screw (Grub)</p>	<p>MF = Mill Finish SA = Silver Anodised KL = Basic Colour HP = Special Colour SSC = Smooth Satin Chrome SMC = Smokey Chrome PC = Polished Chrome</p>	<p>W = White Z = Black</p>																					

Image	Part Code	Pack	Unit	Application	Colour																		
	<p>ACW20465</p> <p>Euro Cylinder Profile Open In & Out Primary Lock 65mm Set Back (PAS24 Option)</p>	<p>1</p>	<p>each</p>	<p>ACDV737 ACDV738 ACPD690 ACW20066 ACW20166 ACW20367 ACW20466 W20124 W20129</p>	<table border="1"> <tr><td>MF</td><td>✓</td></tr> <tr><td>SA</td><td></td></tr> <tr><td>KL</td><td></td></tr> <tr><td>HP</td><td></td></tr> <tr><td>SSC</td><td></td></tr> <tr><td>SMC</td><td></td></tr> <tr><td>W</td><td></td></tr> <tr><td>Z</td><td></td></tr> <tr><td>PC</td><td></td></tr> </table>	MF	✓	SA		KL		HP		SSC		SMC		W		Z		PC	
MF	✓																						
SA																							
KL																							
HP																							
SSC																							
SMC																							
W																							
Z																							
PC																							
	<p>MF = Mill Finish SA = Silver Anodised KL = Basic Colour HP = Special Colour SSC = Smooth Satin Chrome SMC = Smokey Chrome PC = Polished Chrome</p>	<p>W = White Z = Black</p>																					

Image	Part Code	Pack	Unit	Application	Colour																		
	<p>ACW20466</p> <p>Euro Cylinder Profile Open In & Out Secondary Lock 65mm Set Back (PAS24 Option)</p>	1	each	<p>ACDV737 ACDV738 ACW20465 W20124 W20129</p>	<table border="1"> <tr><td>MF</td><td><input checked="" type="checkbox"/></td></tr> <tr><td>SA</td><td><input type="checkbox"/></td></tr> <tr><td>KL</td><td><input type="checkbox"/></td></tr> <tr><td>HP</td><td><input type="checkbox"/></td></tr> <tr><td>SSC</td><td><input type="checkbox"/></td></tr> <tr><td>SMC</td><td><input type="checkbox"/></td></tr> <tr><td>W</td><td><input type="checkbox"/></td></tr> <tr><td>Z</td><td><input type="checkbox"/></td></tr> <tr><td>PC</td><td><input type="checkbox"/></td></tr> </table>	MF	<input checked="" type="checkbox"/>	SA	<input type="checkbox"/>	KL	<input type="checkbox"/>	HP	<input type="checkbox"/>	SSC	<input type="checkbox"/>	SMC	<input type="checkbox"/>	W	<input type="checkbox"/>	Z	<input type="checkbox"/>	PC	<input type="checkbox"/>
MF	<input checked="" type="checkbox"/>																						
SA	<input type="checkbox"/>																						
KL	<input type="checkbox"/>																						
HP	<input type="checkbox"/>																						
SSC	<input type="checkbox"/>																						
SMC	<input type="checkbox"/>																						
W	<input type="checkbox"/>																						
Z	<input type="checkbox"/>																						
PC	<input type="checkbox"/>																						
	<p>ACW20492</p> <p>End Cap for W20492</p>	10	pack	W20492	<table border="1"> <tr><td>MF</td><td><input type="checkbox"/></td></tr> <tr><td>SA</td><td><input type="checkbox"/></td></tr> <tr><td>KL</td><td><input type="checkbox"/></td></tr> <tr><td>HP</td><td><input type="checkbox"/></td></tr> <tr><td>SSC</td><td><input type="checkbox"/></td></tr> <tr><td>SMC</td><td><input type="checkbox"/></td></tr> <tr><td>W</td><td><input type="checkbox"/></td></tr> <tr><td>Z</td><td><input checked="" type="checkbox"/></td></tr> <tr><td>PC</td><td><input type="checkbox"/></td></tr> </table>	MF	<input type="checkbox"/>	SA	<input type="checkbox"/>	KL	<input type="checkbox"/>	HP	<input type="checkbox"/>	SSC	<input type="checkbox"/>	SMC	<input type="checkbox"/>	W	<input type="checkbox"/>	Z	<input checked="" type="checkbox"/>	PC	<input type="checkbox"/>
MF	<input type="checkbox"/>																						
SA	<input type="checkbox"/>																						
KL	<input type="checkbox"/>																						
HP	<input type="checkbox"/>																						
SSC	<input type="checkbox"/>																						
SMC	<input type="checkbox"/>																						
W	<input type="checkbox"/>																						
Z	<input checked="" type="checkbox"/>																						
PC	<input type="checkbox"/>																						
	<p>MF = Mill Finish SA = Silver Anodised KL = Basic Colour HP = Special Colour SSC = Smooth Satin Chrome SMC = Smokey Chrome PC = Polished Chrome</p>	<p>W = White Z = Black</p>																					

ACCESSORIES : PHOTOS & DRAWINGS

Image	Part Code	Pack	Unit	Application	Colour																		
	ACW20494 Meeting Stile Packer	50	pack	W20046 W20149	<table border="1"> <tr><td>MF</td><td></td></tr> <tr><td>SA</td><td></td></tr> <tr><td>KL</td><td></td></tr> <tr><td>HP</td><td></td></tr> <tr><td>SSC</td><td></td></tr> <tr><td>SMC</td><td></td></tr> <tr><td>W</td><td></td></tr> <tr><td>Z</td><td>✓</td></tr> <tr><td>PC</td><td></td></tr> </table>	MF		SA		KL		HP		SSC		SMC		W		Z	✓	PC	
MF																							
SA																							
KL																							
HP																							
SSC																							
SMC																							
W																							
Z	✓																						
PC																							
	ACW906 Vee Block	1	each	W20027 W20127 W20125N	<table border="1"> <tr><td>MF</td><td>✓</td></tr> <tr><td>SA</td><td></td></tr> <tr><td>KL</td><td></td></tr> <tr><td>HP</td><td></td></tr> <tr><td>SSC</td><td></td></tr> <tr><td>SMC</td><td></td></tr> <tr><td>W</td><td></td></tr> <tr><td>Z</td><td></td></tr> <tr><td>PC</td><td></td></tr> </table>	MF	✓	SA		KL		HP		SSC		SMC		W		Z		PC	
MF	✓																						
SA																							
KL																							
HP																							
SSC																							
SMC																							
W																							
Z																							
PC																							
	ACW907 5.6mm Tufnel Packer	1	each	W20015 W20016 W20024 W20125N W20127	<table border="1"> <tr><td>MF</td><td>✓</td></tr> <tr><td>SA</td><td></td></tr> <tr><td>KL</td><td></td></tr> <tr><td>HP</td><td></td></tr> <tr><td>SSC</td><td></td></tr> <tr><td>SMC</td><td></td></tr> <tr><td>W</td><td></td></tr> <tr><td>Z</td><td></td></tr> <tr><td>PC</td><td></td></tr> </table>	MF	✓	SA		KL		HP		SSC		SMC		W		Z		PC	
MF	✓																						
SA																							
KL																							
HP																							
SSC																							
SMC																							
W																							
Z																							
PC																							
	ACW910N Punches	1	pair	W20027 W20127	<table border="1"> <tr><td>MF</td><td>✓</td></tr> <tr><td>SA</td><td></td></tr> <tr><td>KL</td><td></td></tr> <tr><td>HP</td><td></td></tr> <tr><td>SSC</td><td></td></tr> <tr><td>SMC</td><td></td></tr> <tr><td>W</td><td></td></tr> <tr><td>Z</td><td></td></tr> <tr><td>PC</td><td></td></tr> </table>	MF	✓	SA		KL		HP		SSC		SMC		W		Z		PC	
MF	✓																						
SA																							
KL																							
HP																							
SSC																							
SMC																							
W																							
Z																							
PC																							
	ACW914 Punches	1	pair	W20125N	<table border="1"> <tr><td>MF</td><td>✓</td></tr> <tr><td>SA</td><td></td></tr> <tr><td>KL</td><td></td></tr> <tr><td>HP</td><td></td></tr> <tr><td>SSC</td><td></td></tr> <tr><td>SMC</td><td></td></tr> <tr><td>W</td><td></td></tr> <tr><td>Z</td><td></td></tr> <tr><td>PC</td><td></td></tr> </table>	MF	✓	SA		KL		HP		SSC		SMC		W		Z		PC	
MF	✓																						
SA																							
KL																							
HP																							
SSC																							
SMC																							
W																							
Z																							
PC																							
	MF = Mill Finish SA = Silver Anodised KL = Basic Colour HP = Special Colour SSC = Smooth Satin Chrome SMC = Smokey Chrome PC = Polished Chrome	W = White Z = Black																					

ACCESSORIES : PHOTOS & DRAWINGS

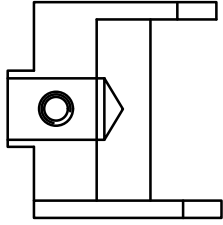
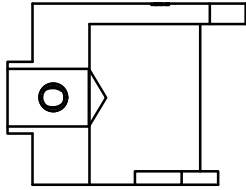
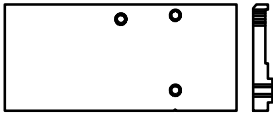
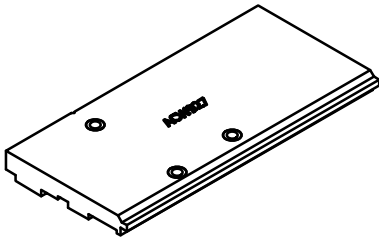
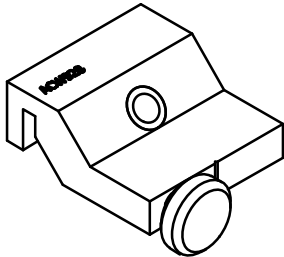


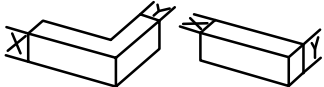
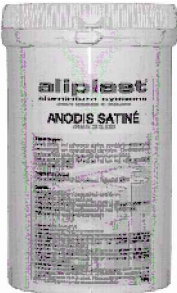

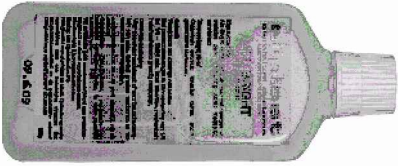
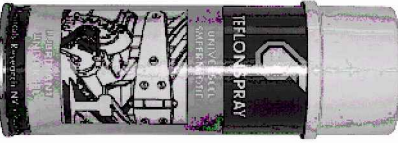



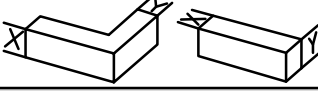







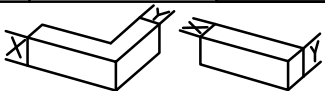
Image	Part Code	Pack	Unit	Application	Colour	
	ACW923 Punches	1	pair	W20129	MF	✓
					SA	
					KL	
					HP	
					SSC	
					SMC	
					W	
					Z	
					PC	
	ACW924 Punches	1	pair	W20124	MF	✓
					SA	
					KL	
					HP	
					SSC	
					SMC	
					W	
					Z	
					PC	
	ACW925 Door Drill Jig (Must be clamped in position)	1	each	W20038 W20138	MF	✓
					SA	
					KL	
					HP	
					SSC	
					SMC	
					W	
					Z	
					PC	
	ACW927 Door Drill Jig (Must be clamped in position)	1	each	W20124 W20135	MF	✓
					SA	
					KL	
					HP	
					SSC	
					SMC	
					W	
					Z	
					PC	
	ACW928 Drainage Drill Jig	1	each	W20124 W20129	MF	✓
					SA	
					KL	
					HP	
					SSC	
					SMC	
					W	
					Z	
					PC	
 T-BARS ACVG66=2.5mm ACVG66=3.0mm ACVL150=4.0mm	 Screw (Grub)	MF = Mill Finish SA = Silver Anodised KL = Basic Colour HP = Special Colour SSC = Smooth Satin Chrome SMC = Smokey Chrome PC = Polished Chrome	W = White Z = Black			




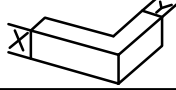
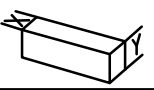
Image	Part Code	Pack	Unit	Application	Colour																		
	ACMX09700 Alu-Polish Cleaning emulsion for aluminium oxide.	1	each		<table border="1"> <tr><td>MF</td><td>✓</td></tr> <tr><td>SA</td><td></td></tr> <tr><td>KL</td><td></td></tr> <tr><td>HP</td><td></td></tr> <tr><td>SSC</td><td></td></tr> <tr><td>SMC</td><td></td></tr> <tr><td>W</td><td></td></tr> <tr><td>Z</td><td></td></tr> <tr><td>PC</td><td></td></tr> </table>	MF	✓	SA		KL		HP		SSC		SMC		W		Z		PC	
MF	✓																						
SA																							
KL																							
HP																							
SSC																							
SMC																							
W																							
Z																							
PC																							
	ACMX09761 Maxi Gloss Protection for painted and anodised surfaces.	1	each		<table border="1"> <tr><td>MF</td><td></td></tr> <tr><td>SA</td><td></td></tr> <tr><td>KL</td><td></td></tr> <tr><td>HP</td><td></td></tr> <tr><td>SSC</td><td></td></tr> <tr><td>SMC</td><td></td></tr> <tr><td>W</td><td></td></tr> <tr><td>Z</td><td></td></tr> <tr><td>PC</td><td></td></tr> </table>	MF		SA		KL		HP		SSC		SMC		W		Z		PC	
MF																							
SA																							
KL																							
HP																							
SSC																							
SMC																							
W																							
Z																							
PC																							
	ACMX09762 Alu. Bright Cleaner for rough, anodised or enamelled aluminium frames.	1	each		<table border="1"> <tr><td>MF</td><td></td></tr> <tr><td>SA</td><td></td></tr> <tr><td>KL</td><td></td></tr> <tr><td>HP</td><td></td></tr> <tr><td>SSC</td><td></td></tr> <tr><td>SMC</td><td></td></tr> <tr><td>W</td><td></td></tr> <tr><td>Z</td><td></td></tr> <tr><td>PC</td><td></td></tr> </table>	MF		SA		KL		HP		SSC		SMC		W		Z		PC	
MF																							
SA																							
KL																							
HP																							
SSC																							
SMC																							
W																							
Z																							
PC																							
	ACMX09763 Teflon Spray Lubricant	1	each		<table border="1"> <tr><td>MF</td><td></td></tr> <tr><td>SA</td><td></td></tr> <tr><td>KL</td><td></td></tr> <tr><td>HP</td><td></td></tr> <tr><td>SSC</td><td></td></tr> <tr><td>SMC</td><td></td></tr> <tr><td>W</td><td></td></tr> <tr><td>Z</td><td></td></tr> <tr><td>PC</td><td></td></tr> </table>	MF		SA		KL		HP		SSC		SMC		W		Z		PC	
MF																							
SA																							
KL																							
HP																							
SSC																							
SMC																							
W																							
Z																							
PC																							
	ACMX09764 Maxi Cleaner For cleaning oily surfaces.	1	each		<table border="1"> <tr><td>MF</td><td></td></tr> <tr><td>SA</td><td></td></tr> <tr><td>KL</td><td></td></tr> <tr><td>HP</td><td></td></tr> <tr><td>SSC</td><td></td></tr> <tr><td>SMC</td><td></td></tr> <tr><td>W</td><td></td></tr> <tr><td>Z</td><td></td></tr> <tr><td>PC</td><td></td></tr> </table>	MF		SA		KL		HP		SSC		SMC		W		Z		PC	
MF																							
SA																							
KL																							
HP																							
SSC																							
SMC																							
W																							
Z																							
PC																							
 T-BARS ACVG66=2.5mm ACVG66=3.0mm ACVL150=4.0mm  Screw (Grub)	MF = Mill Finish SA = Silver Anodised KL = Basic Colour HP = Special Colour SSC = Smooth Satin Chrome SMC = Smokey Chrome PC = Polished Chrome	W = White Z = Black																					

STANDARD ACCESSORIES

Image	Part Code	Pack	Unit	Application	Colour
	ACMX09765 Glue Cleaner De-grease and silicone remover.	1	each		MF SA KL HP SSC SMC W Z PC
	ACMX09770 Roll & Wrap 100mm	1	each		MF SA KL HP SSC SMC W Z PC
	ACMX09775 Grip Handwrap	1	each		MF SA KL HP SSC SMC W Z PC
	ACMX09801 Protective Tape 50mm	1	each		MF SA KL HP SSC SMC W Z PC
	ACMX09802 Protective Tape 70mm	1	each		MF SA KL HP SSC SMC W Z PC
 <p>T-BARS ACVG66=2.5mm ACVG66=3.0mm ACVL150=4.0mm</p>  <p>Screw (Grub)</p>	MF = Mill Finish SA = Silver Anodised KL = Basic Colour HP = Special Colour SSC = Smooth Satin Chrome SMC = Smokey Chrome PC = Polished Chrome	W = White Z = Black			

Image	Part Code	Pack	Unit	Application	Colour																		
	ACMX09803 Protective Tape 100mm	1	each		<table border="1"> <tr><td>MF</td><td></td></tr> <tr><td>SA</td><td></td></tr> <tr><td>KL</td><td></td></tr> <tr><td>HP</td><td></td></tr> <tr><td>SSC</td><td></td></tr> <tr><td>SMC</td><td></td></tr> <tr><td>W</td><td></td></tr> <tr><td>Z</td><td></td></tr> <tr><td>PC</td><td></td></tr> </table>	MF		SA		KL		HP		SSC		SMC		W		Z		PC	
MF																							
SA																							
KL																							
HP																							
SSC																							
SMC																							
W																							
Z																							
PC																							
	ACSIL05 Rubber Sealant	1	each		<table border="1"> <tr><td>MF</td><td></td></tr> <tr><td>SA</td><td></td></tr> <tr><td>KL</td><td></td></tr> <tr><td>HP</td><td></td></tr> <tr><td>SSC</td><td></td></tr> <tr><td>SMC</td><td></td></tr> <tr><td>W</td><td></td></tr> <tr><td>Z</td><td></td></tr> <tr><td>PC</td><td></td></tr> </table>	MF		SA		KL		HP		SSC		SMC		W		Z		PC	
MF																							
SA																							
KL																							
HP																							
SSC																							
SMC																							
W																							
Z																							
PC																							
	ACSIL04 Sealing Glue Order with suffix of KL colour (eg.ACSIL04KL005) or BL=Black/WP=White/CL=Clear	1	each		<table border="1"> <tr><td>MF</td><td></td></tr> <tr><td>SA</td><td></td></tr> <tr><td>KL</td><td>✓</td></tr> <tr><td>HP</td><td></td></tr> <tr><td>SSC</td><td></td></tr> <tr><td>SMC</td><td></td></tr> <tr><td>W</td><td>✓</td></tr> <tr><td>Z</td><td>✓</td></tr> <tr><td>PC</td><td></td></tr> </table>	MF		SA		KL	✓	HP		SSC		SMC		W	✓	Z	✓	PC	
MF																							
SA																							
KL	✓																						
HP																							
SSC																							
SMC																							
W	✓																						
Z	✓																						
PC																							
	ACSIL08 Silicon Gun	1	each		<table border="1"> <tr><td>MF</td><td></td></tr> <tr><td>SA</td><td></td></tr> <tr><td>KL</td><td></td></tr> <tr><td>HP</td><td></td></tr> <tr><td>SSC</td><td></td></tr> <tr><td>SMC</td><td></td></tr> <tr><td>W</td><td></td></tr> <tr><td>Z</td><td></td></tr> <tr><td>PC</td><td></td></tr> </table>	MF		SA		KL		HP		SSC		SMC		W		Z		PC	
MF																							
SA																							
KL																							
HP																							
SSC																							
SMC																							
W																							
Z																							
PC																							
	ACSIL013 Glue for Mitre	1	each		<table border="1"> <tr><td>MF</td><td></td></tr> <tr><td>SA</td><td></td></tr> <tr><td>KL</td><td></td></tr> <tr><td>HP</td><td></td></tr> <tr><td>SSC</td><td></td></tr> <tr><td>SMC</td><td></td></tr> <tr><td>W</td><td></td></tr> <tr><td>Z</td><td></td></tr> <tr><td>PC</td><td></td></tr> </table>	MF		SA		KL		HP		SSC		SMC		W		Z		PC	
MF																							
SA																							
KL																							
HP																							
SSC																							
SMC																							
W																							
Z																							
PC																							
 <p>T-BARS ACVG65=2.5mm ACVG66=3.0mm ACVL150=4.0mm</p>  <p>Screw (Grub)</p>	<p>MF = Mill Finish SA = Silver Anodised KL = Basic Colour HP = Special Colour SSC = Smooth Satin Chrome SMC = Smokey Chrome PC = Polished Chrome</p> <p>W = White Z = Black</p>																						

STANDARD ACCESSORIES

Image	Part Code	Pack	Unit	Application	Colour	
	ACSIL014 Anti-Corrosion Coating	1	each		MF	<input checked="" type="checkbox"/>
					SA	<input type="checkbox"/>
					KL	<input type="checkbox"/>
					HP	<input type="checkbox"/>
					SSC	<input type="checkbox"/>
					SMC	<input type="checkbox"/>
					W	<input type="checkbox"/>
					Z	<input type="checkbox"/>
					PC	<input type="checkbox"/>
	ACUN3900 Gasket Roller	1	Each	Wedge Gaskets	MF	<input type="checkbox"/>
					SA	<input type="checkbox"/>
					KL	<input type="checkbox"/>
					HP	<input type="checkbox"/>
					SSC	<input type="checkbox"/>
					SMC	<input type="checkbox"/>
					W	<input type="checkbox"/>
					Z	<input type="checkbox"/>
					PC	<input type="checkbox"/>
					MF	<input type="checkbox"/>
					SA	<input type="checkbox"/>
					KL	<input type="checkbox"/>
					HP	<input type="checkbox"/>
					SSC	<input type="checkbox"/>
					SMC	<input type="checkbox"/>
					W	<input type="checkbox"/>
					Z	<input type="checkbox"/>
					PC	<input type="checkbox"/>
					MF	<input type="checkbox"/>
					SA	<input type="checkbox"/>
					KL	<input type="checkbox"/>
					HP	<input type="checkbox"/>
					SSC	<input type="checkbox"/>
					SMC	<input type="checkbox"/>
					W	<input type="checkbox"/>
					Z	<input type="checkbox"/>
					PC	<input type="checkbox"/>
	MF = Mill Finish SA = Silver Anodised KL = Basic Colour HP = Special Colour SSC = Smooth Satin Chrome SMC = Smokey Chrome PC = Polished Chrome				W = White	<input type="checkbox"/>
					Z = Black	<input type="checkbox"/>
					 	

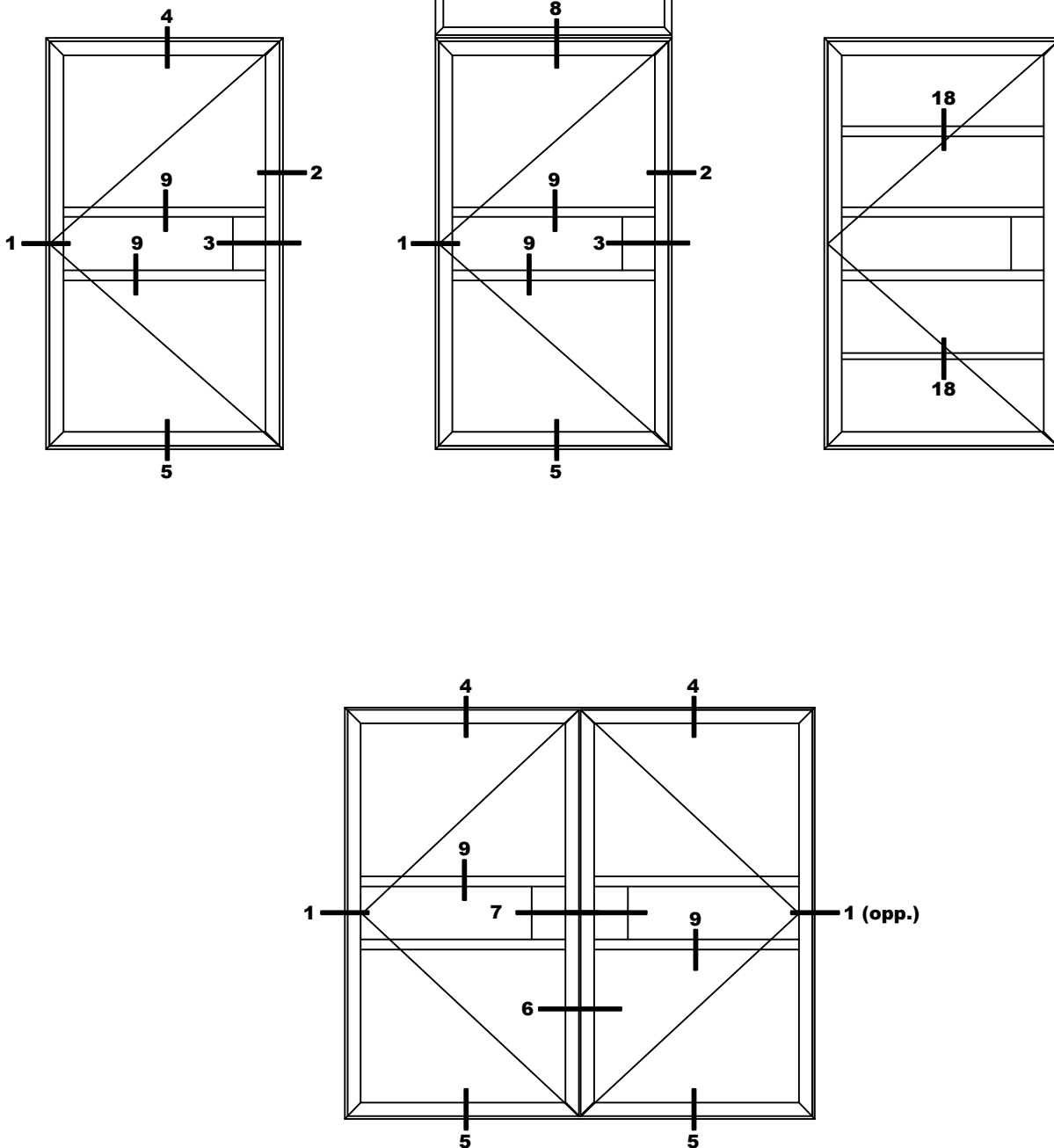
Section C

Sections

Scale Elevations



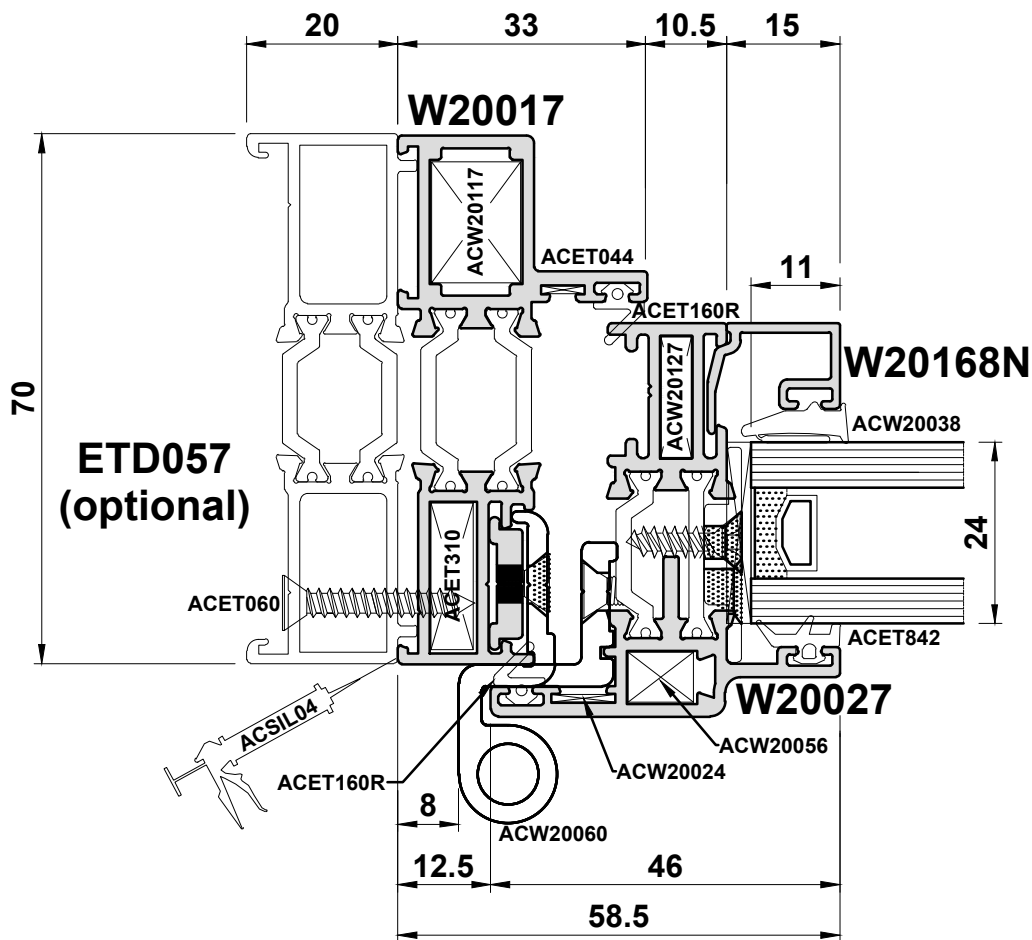
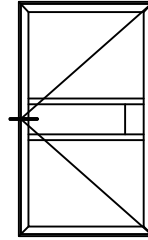
Open Out Doors



Note: For open out PAS24 doors, please turn to page C42.

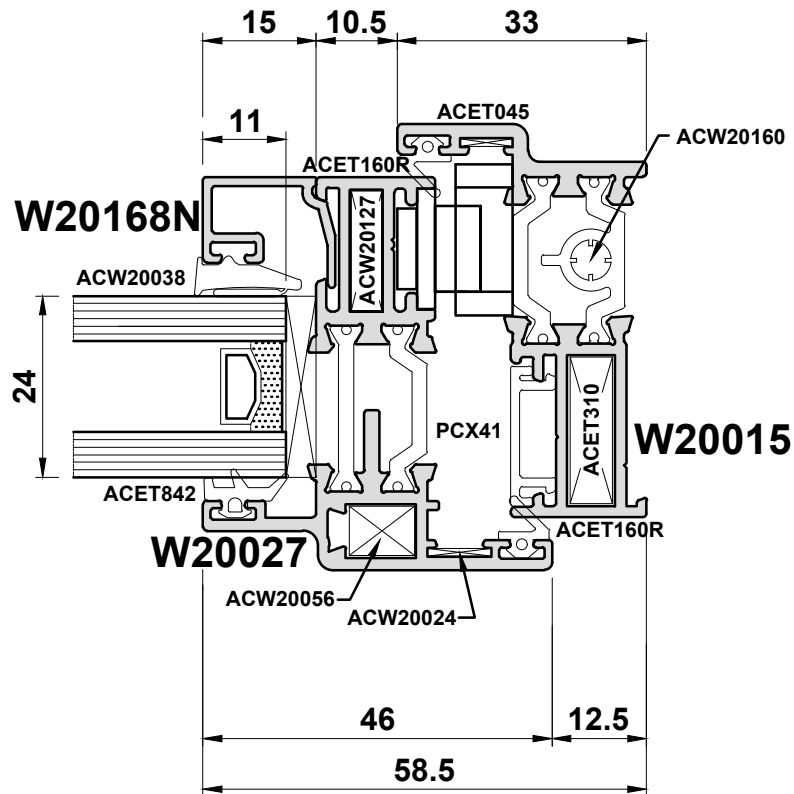
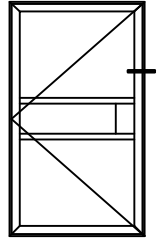
Do Not Scale From This Drawing

Detail 1B



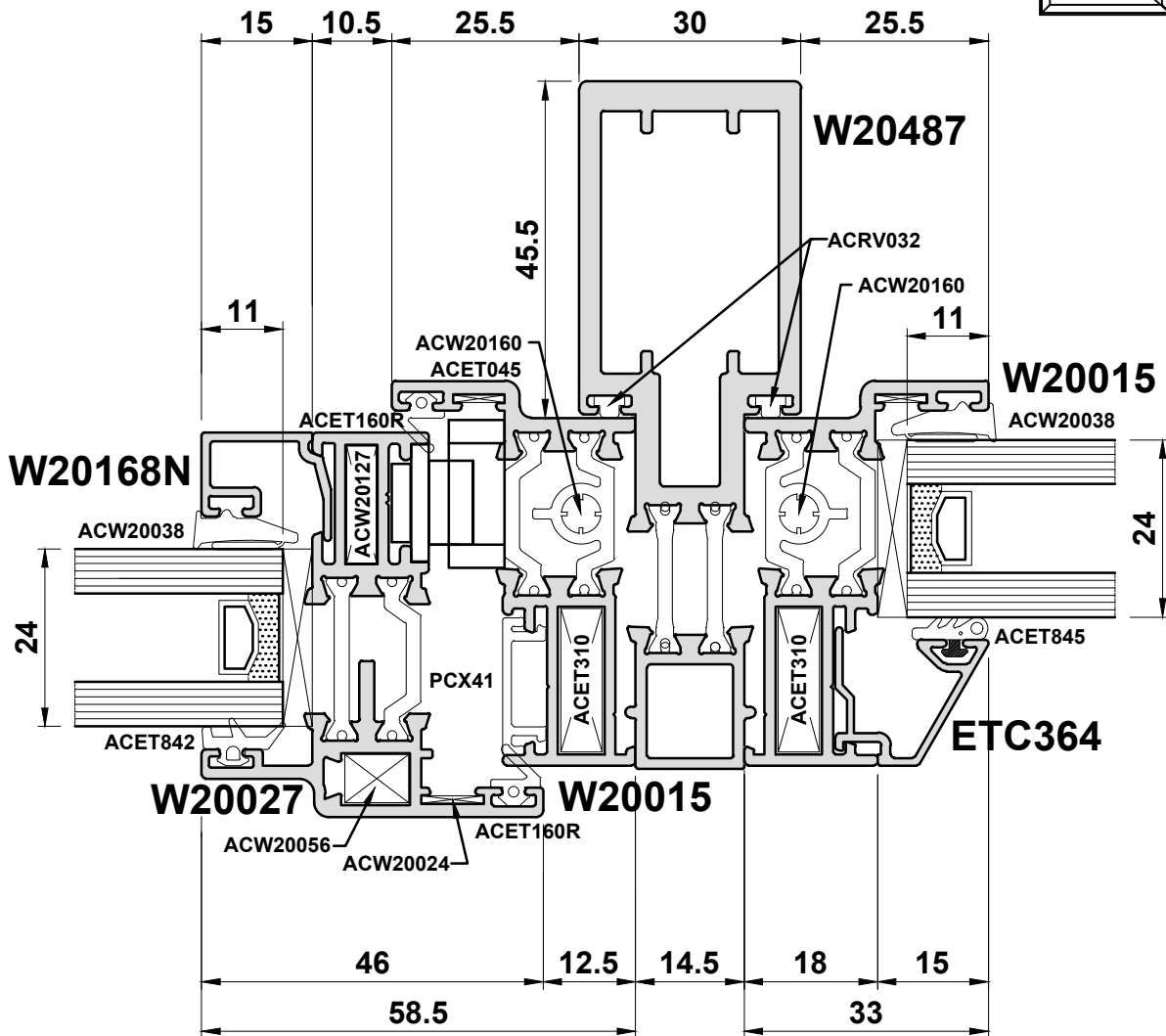
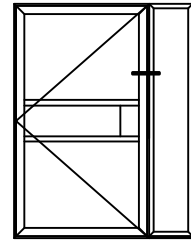
Do Not Scale From This Drawing

Detail 2A



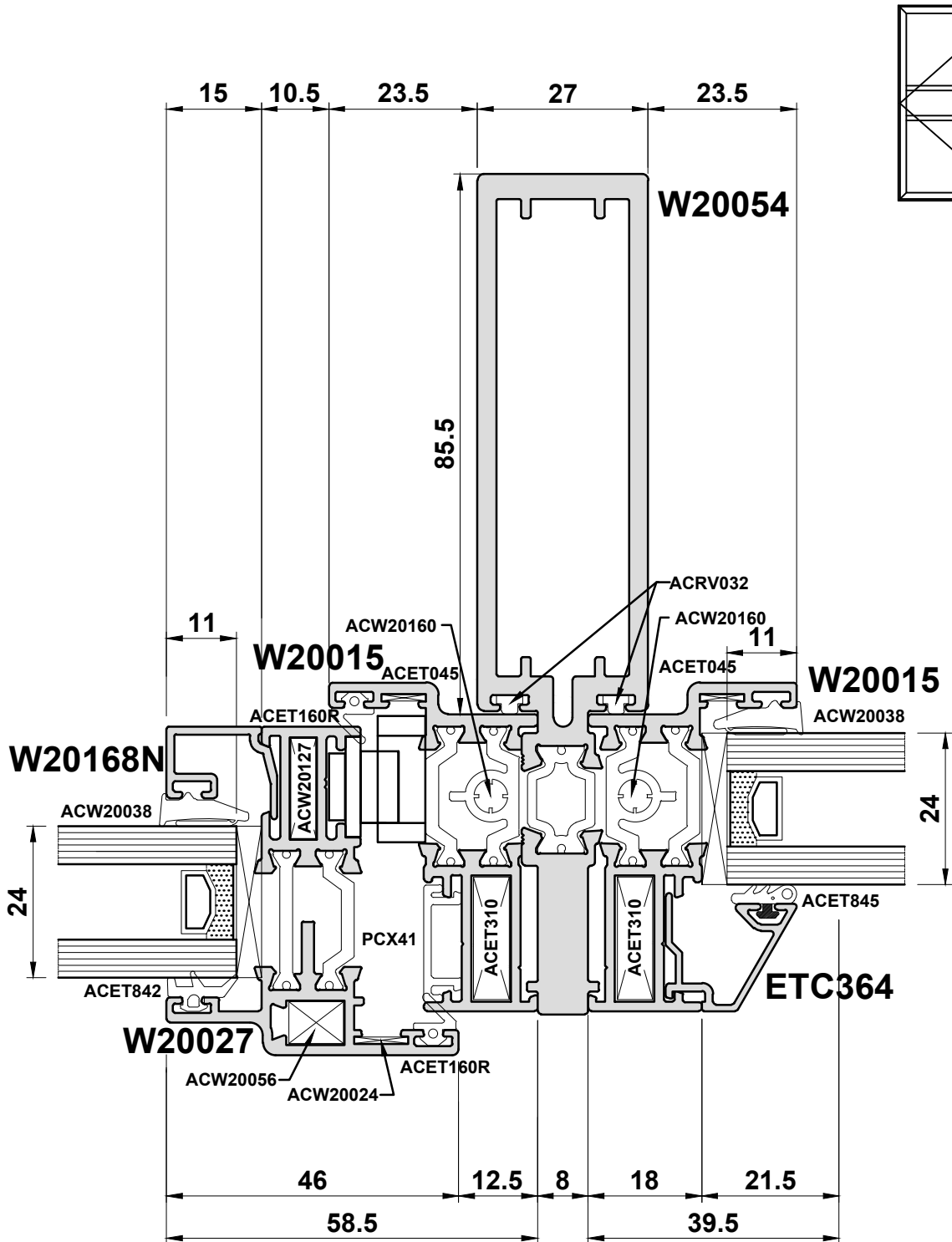
Do Not Scale From This Drawing

Detail 2B



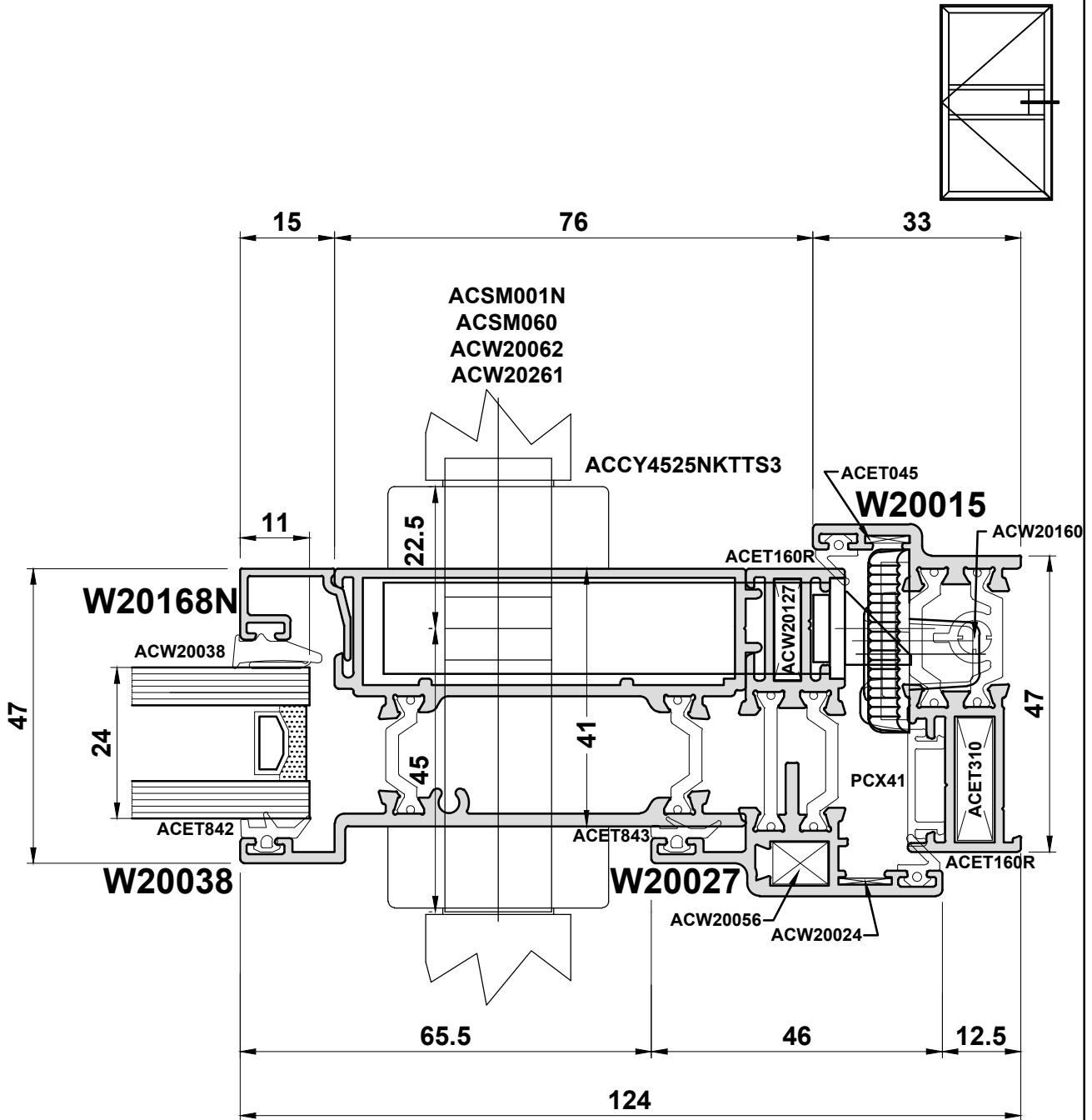
Do Not Scale From This Drawing

Detail 2C



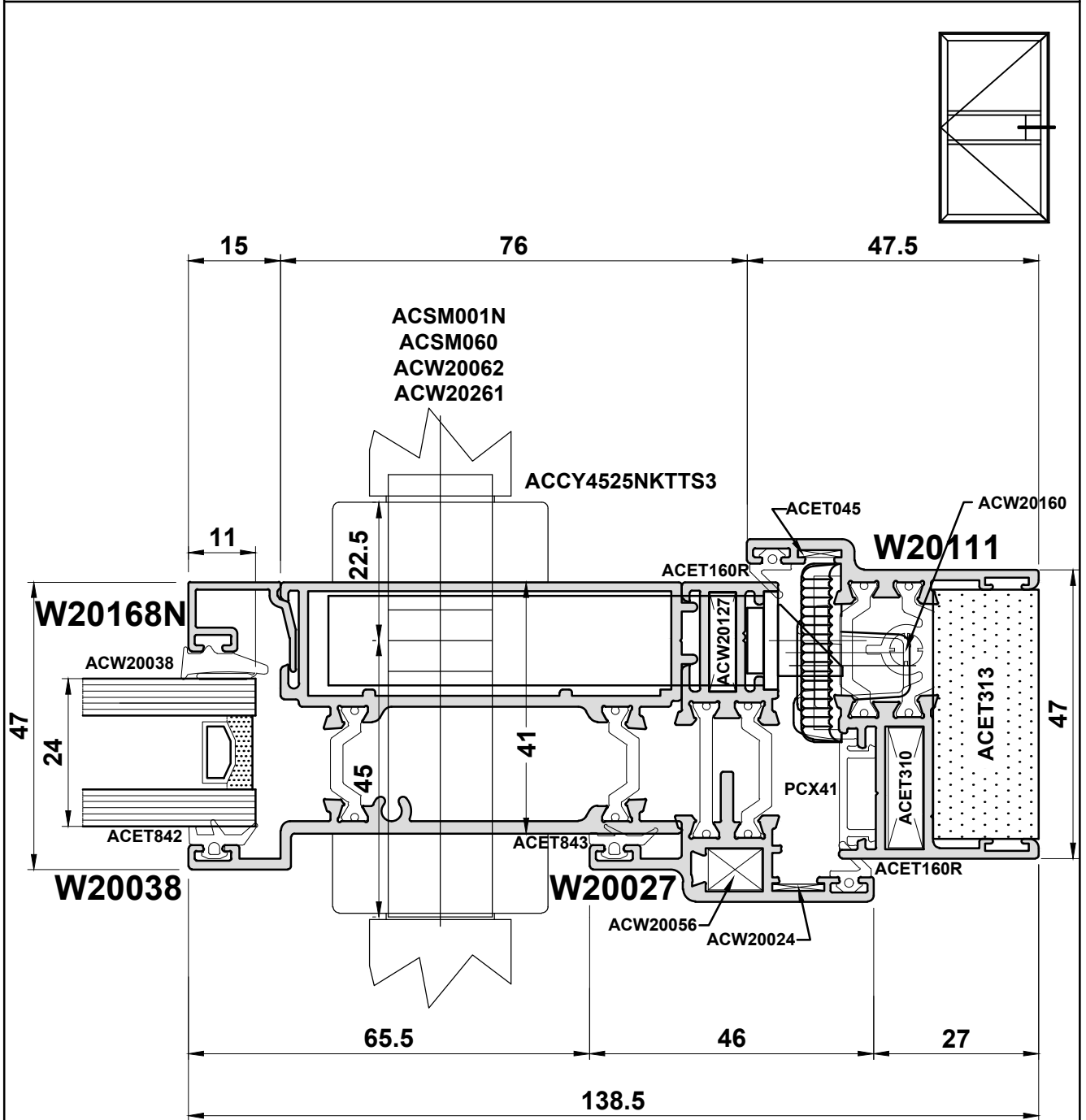
Do Not Scale From This Drawing

Detail 3A



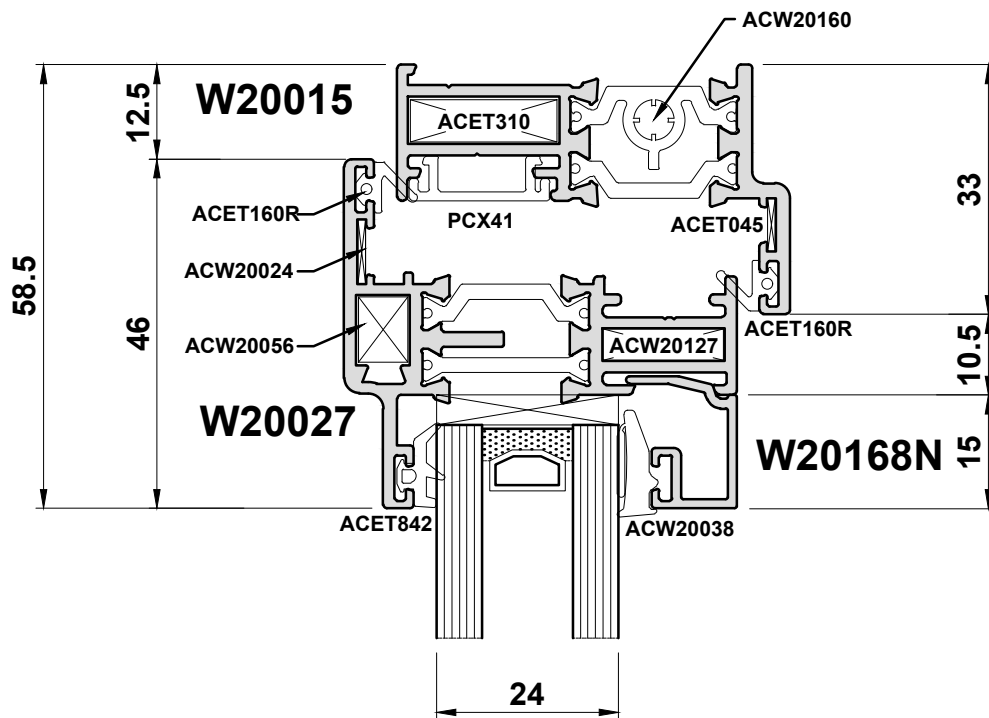
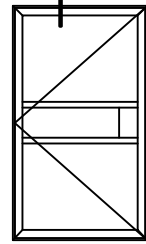
Do Not Scale From This Drawing

Detail 3B



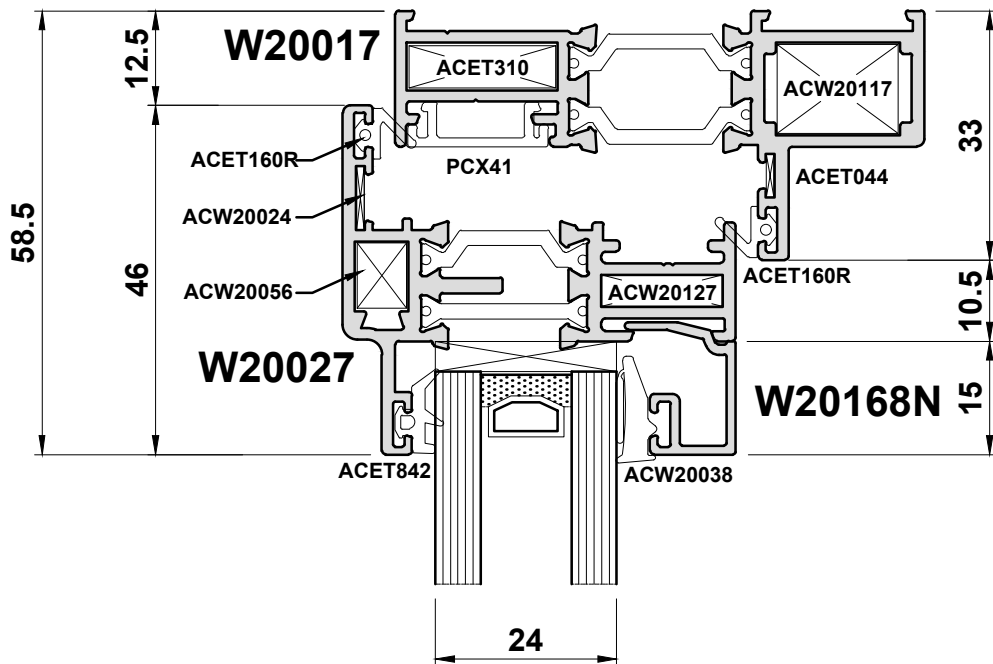
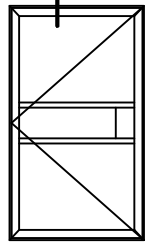
Do Not Scale From This Drawing

Detail 4A



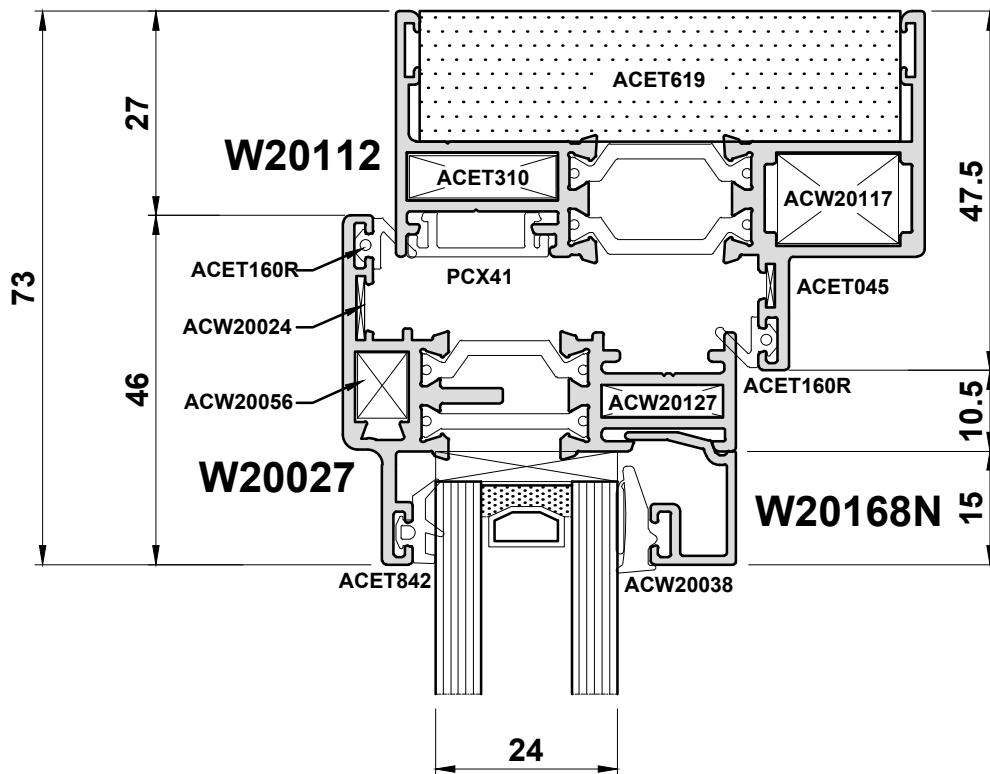
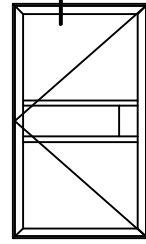
Do Not Scale From This Drawing

Detail 4B



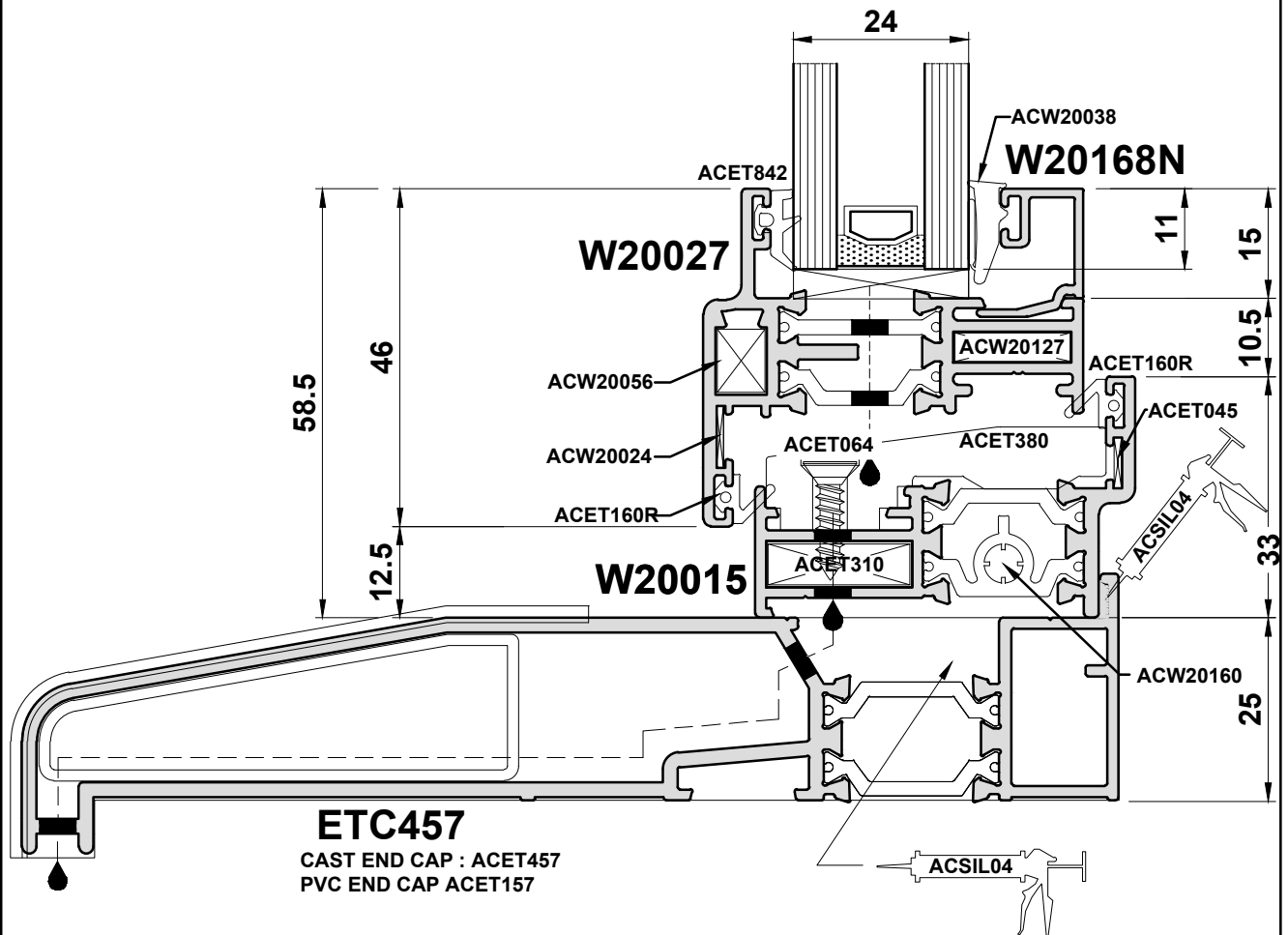
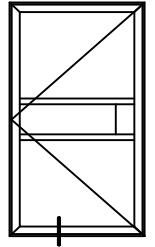
Do Not Scale From This Drawing

Detail 4C



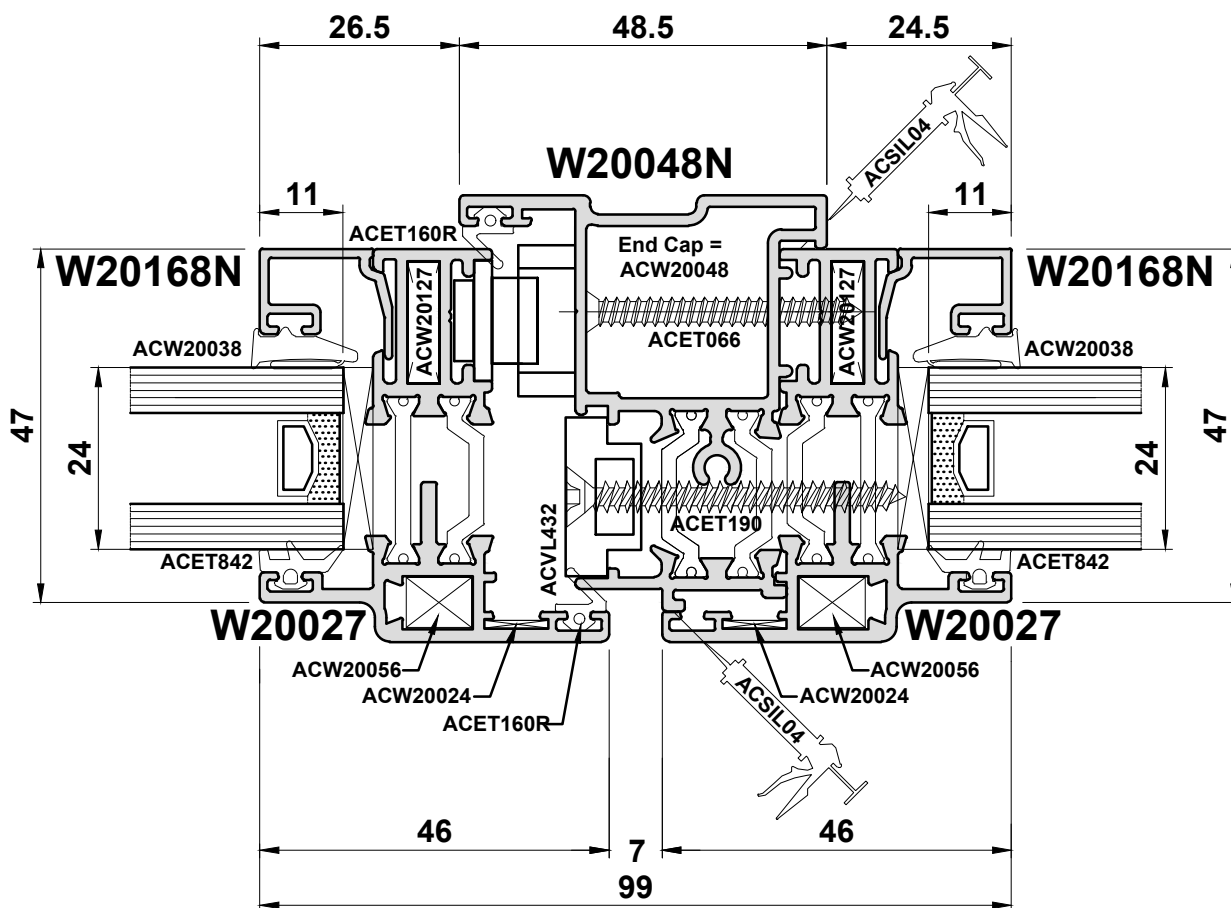
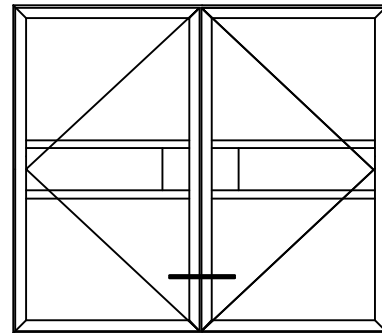
Do Not Scale From This Drawing

Detail 5A



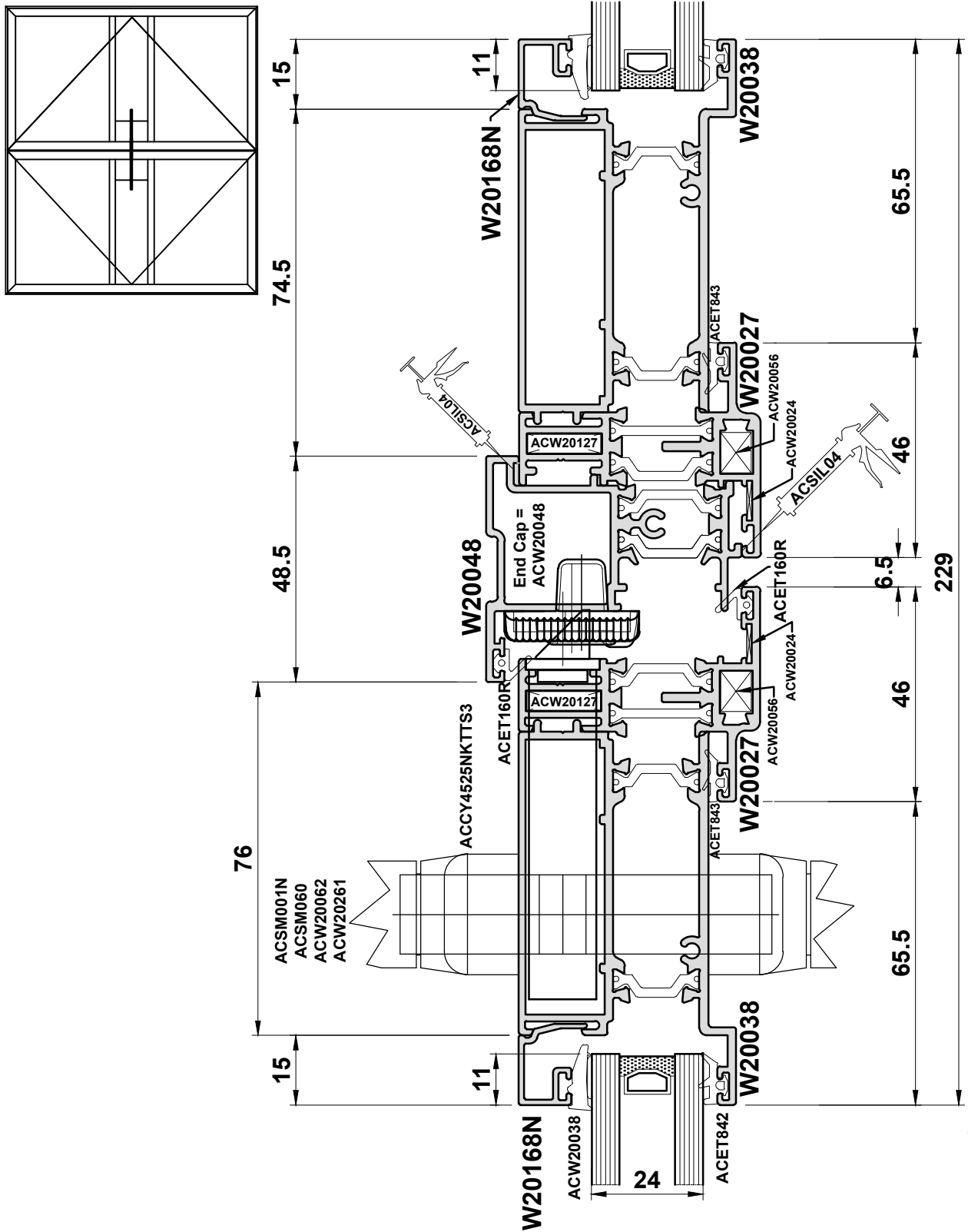
Do Not Scale From This Drawing

Detail 6



Do Not Scale From This Drawing

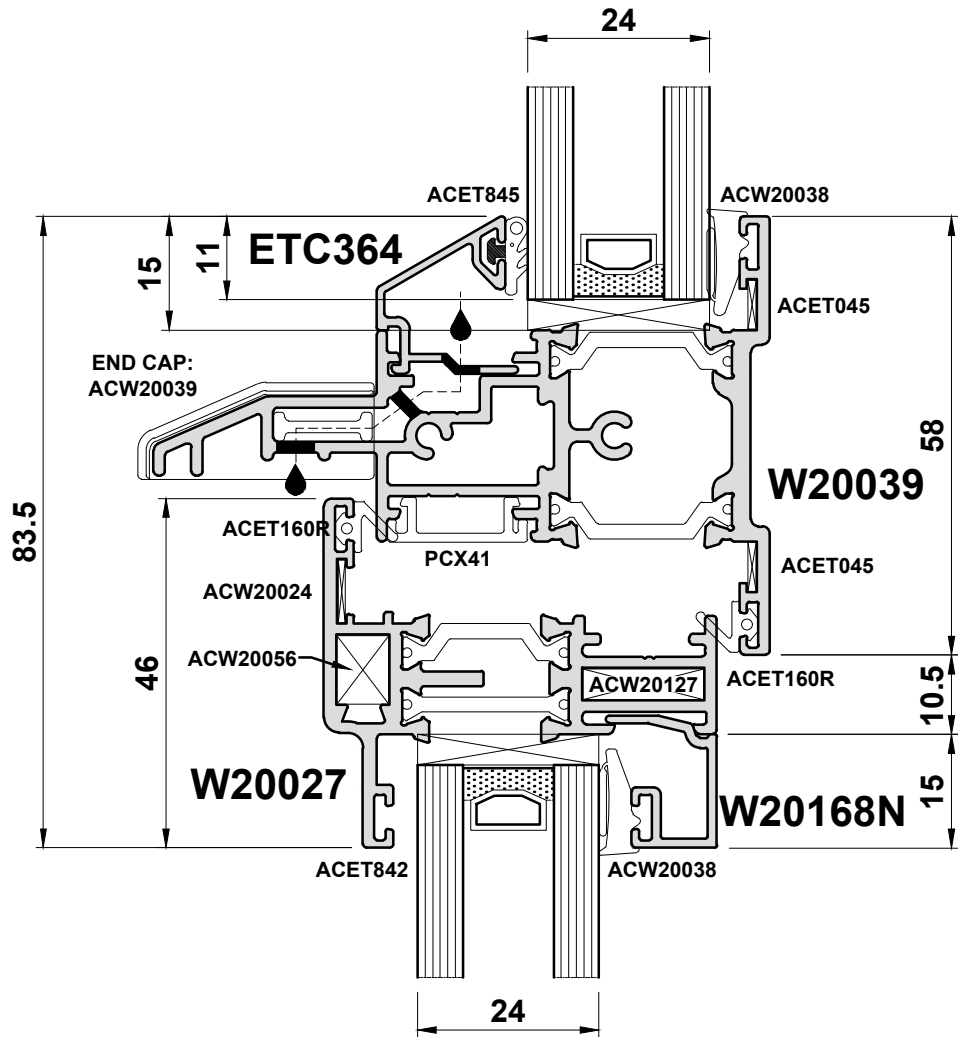
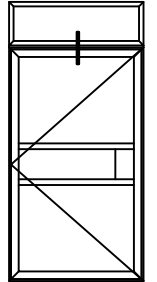
Detail 7



Not To Scale

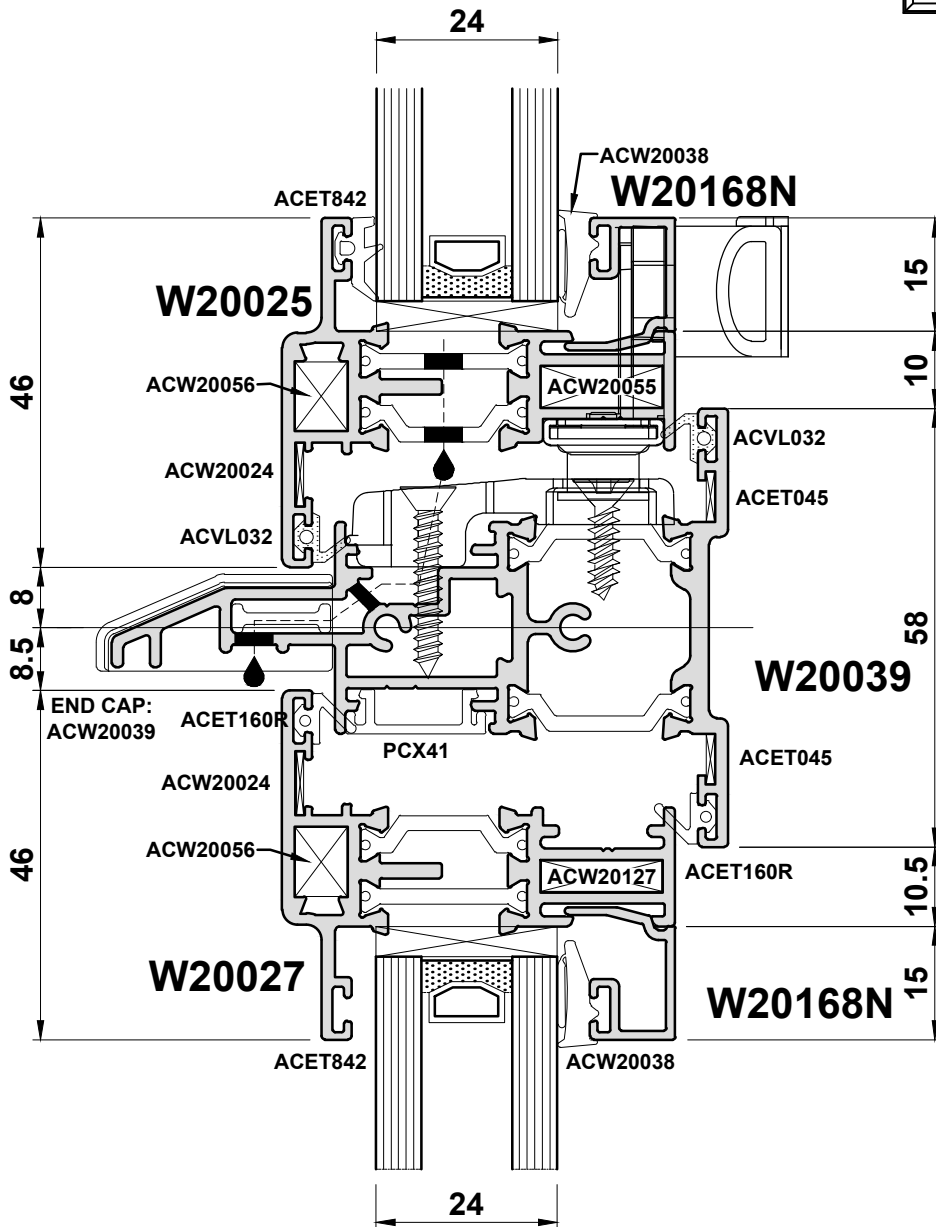
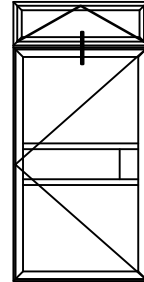
Do Not Scale From This Drawing

Detail 8B



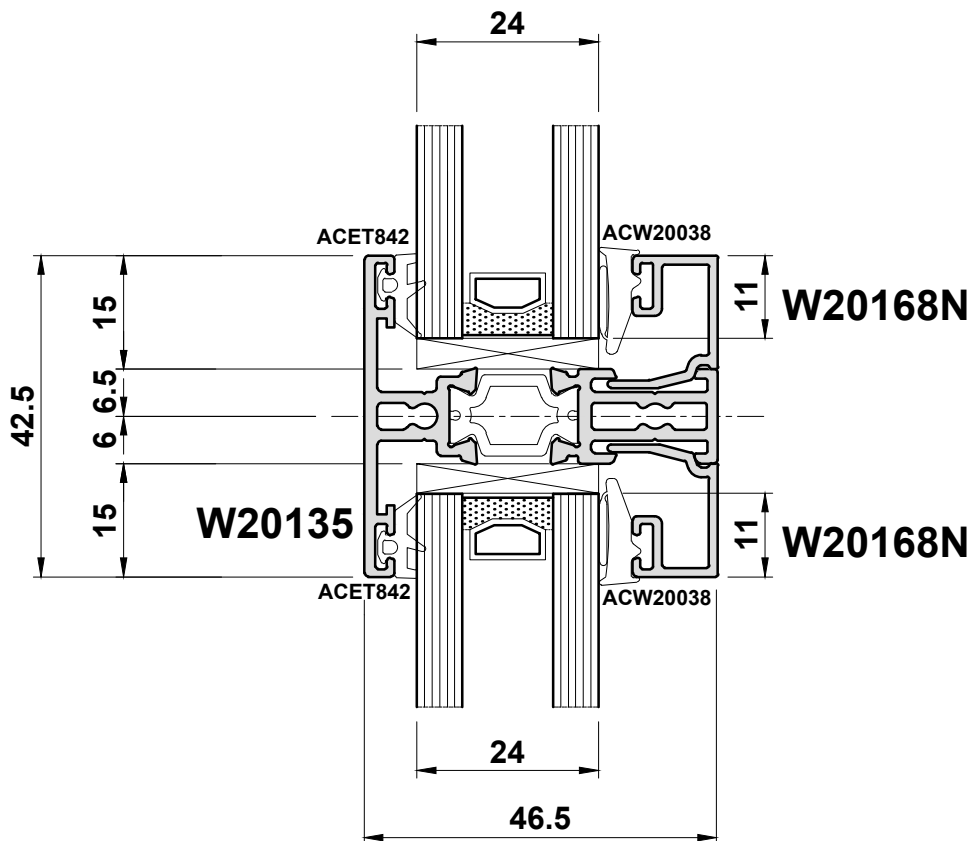
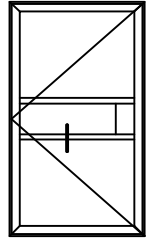
Do Not Scale From This Drawing

Detail 8C



Do Not Scale From This Drawing

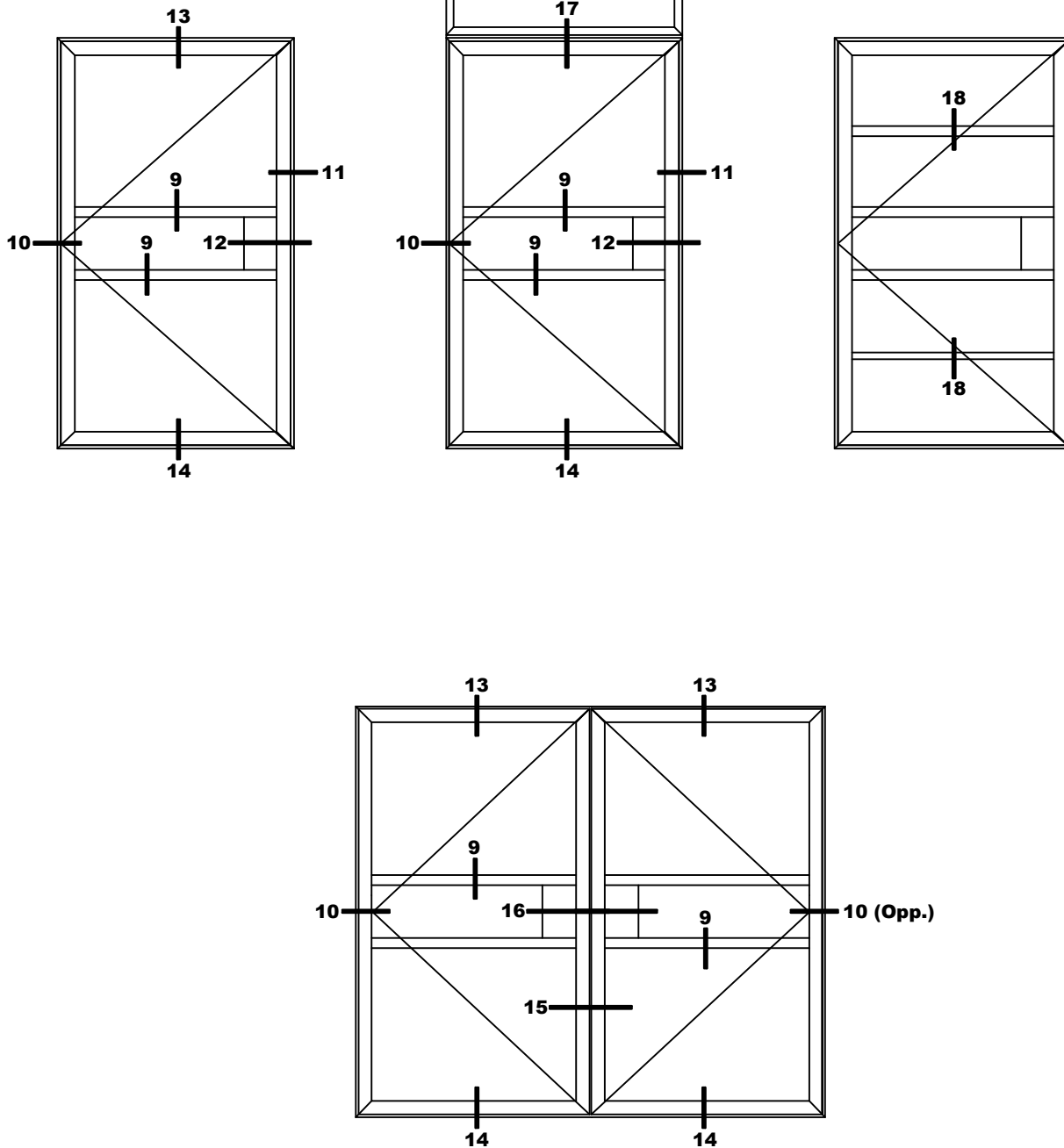
Detail 9



Note: Transoms will drain through the join to the sash.

Do Not Scale From This Drawing

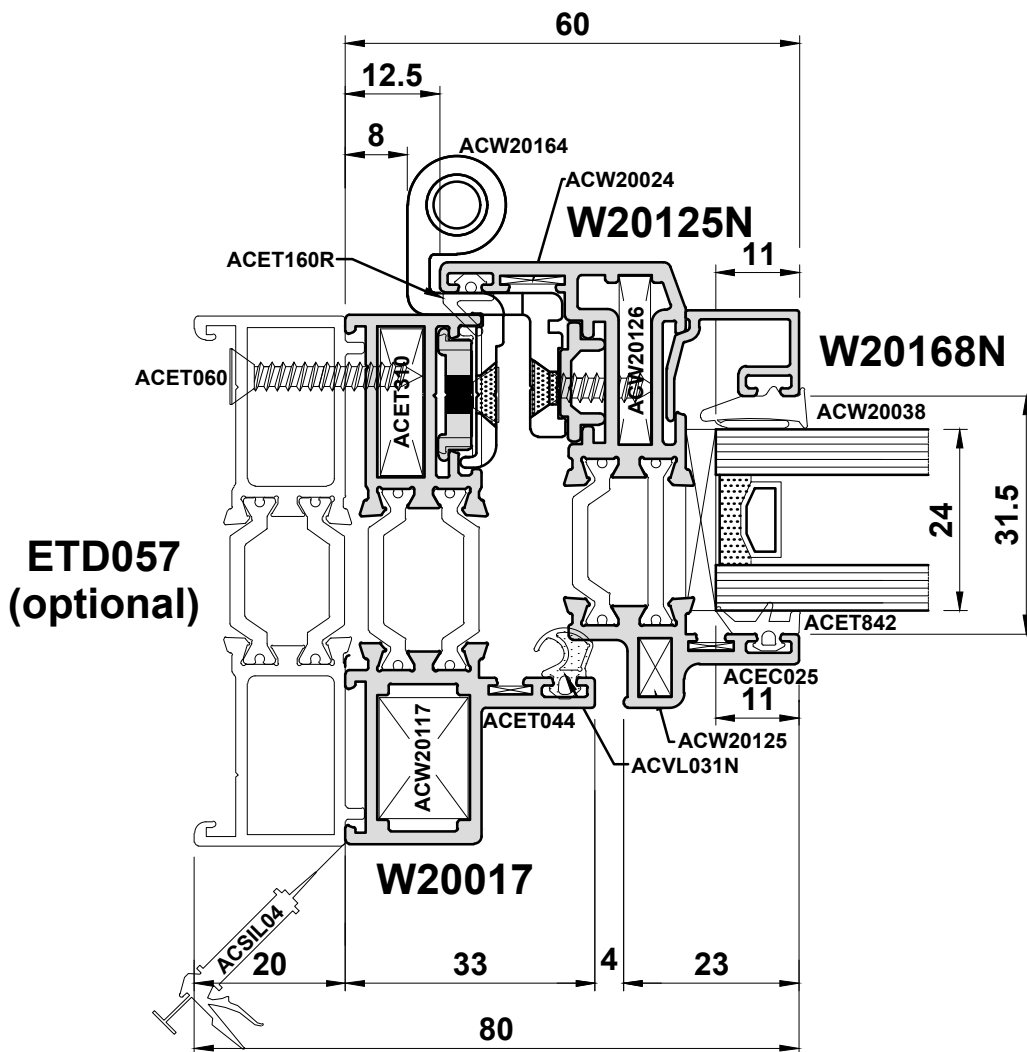
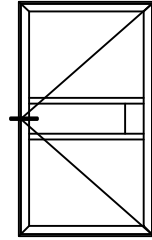
Open In Doors



Note: For open in PAS24 doors, please turn to page C69.

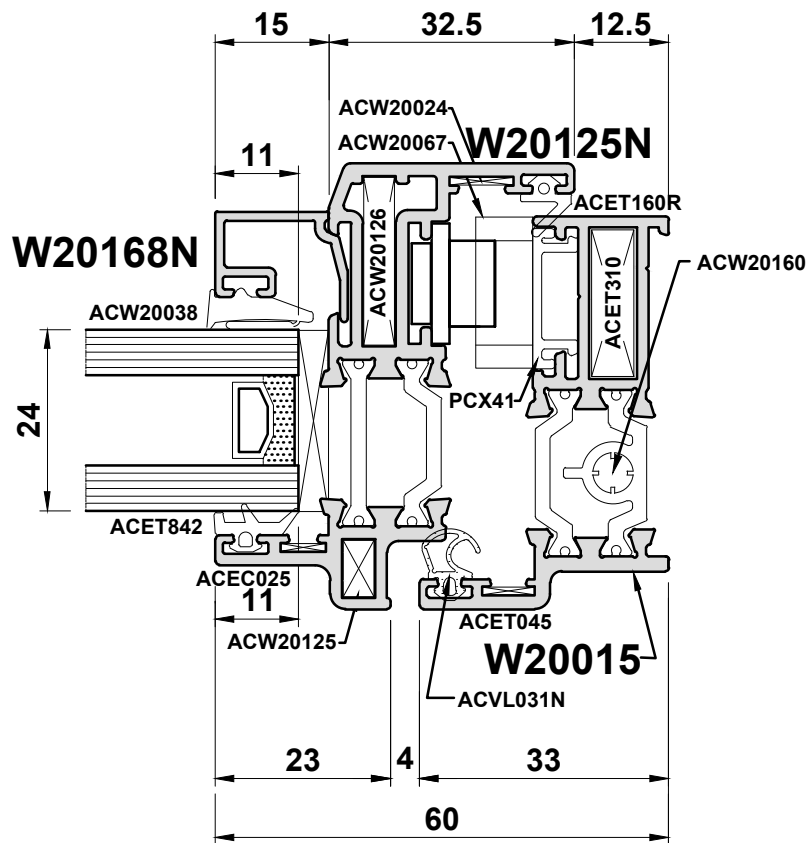
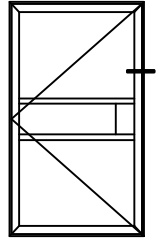
Do Not Scale From This Drawing

Detail 10B



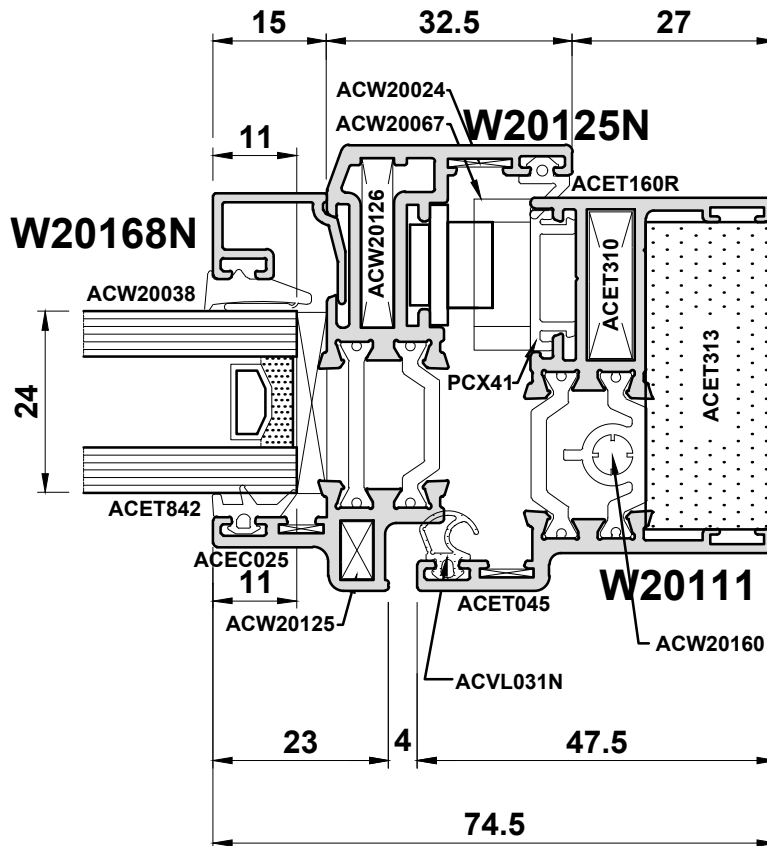
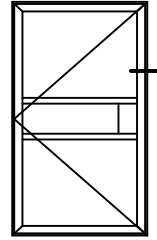
Do Not Scale From This Drawing

Detail 11A



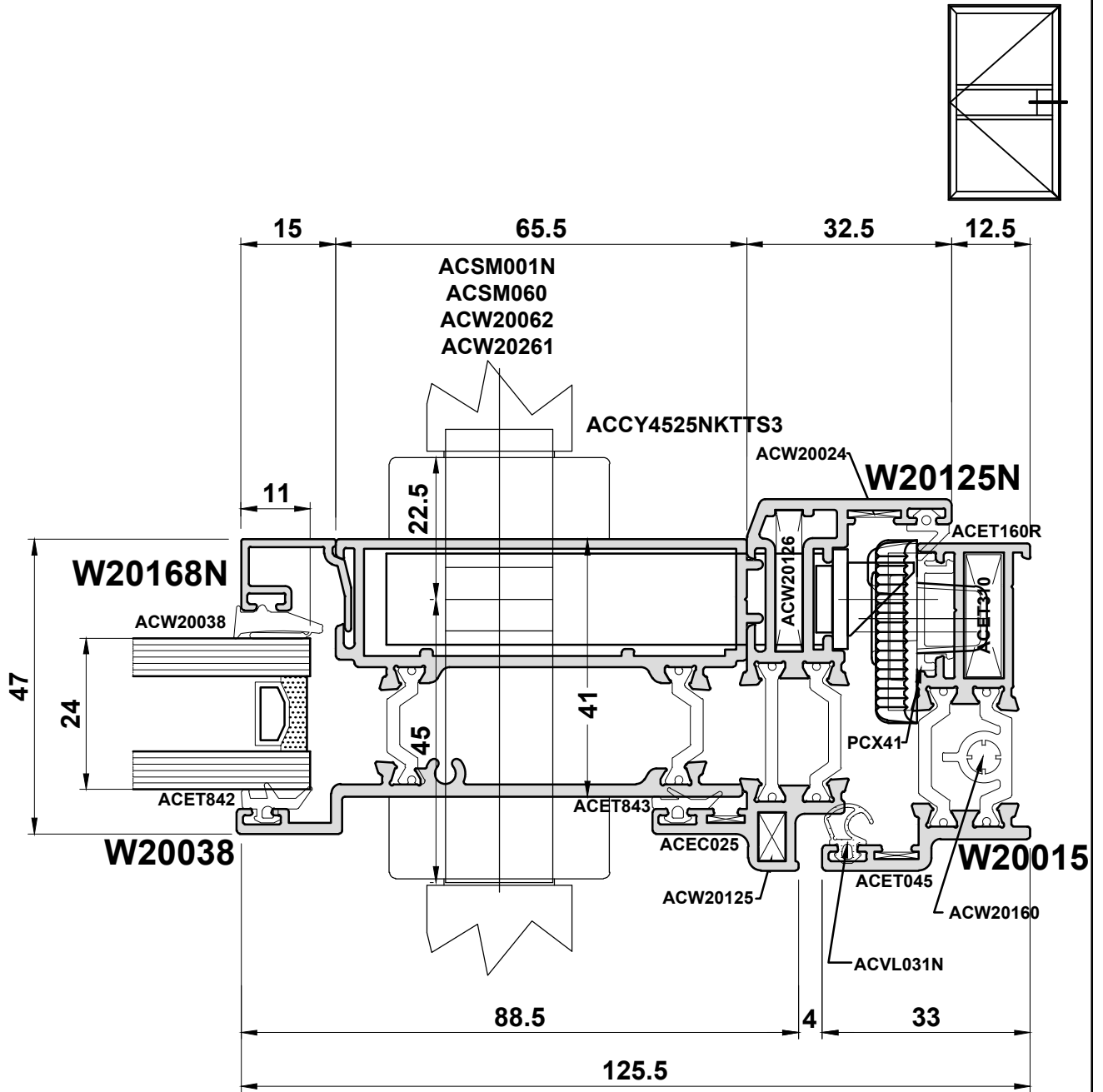
Do Not Scale From This Drawing

Detail 11B



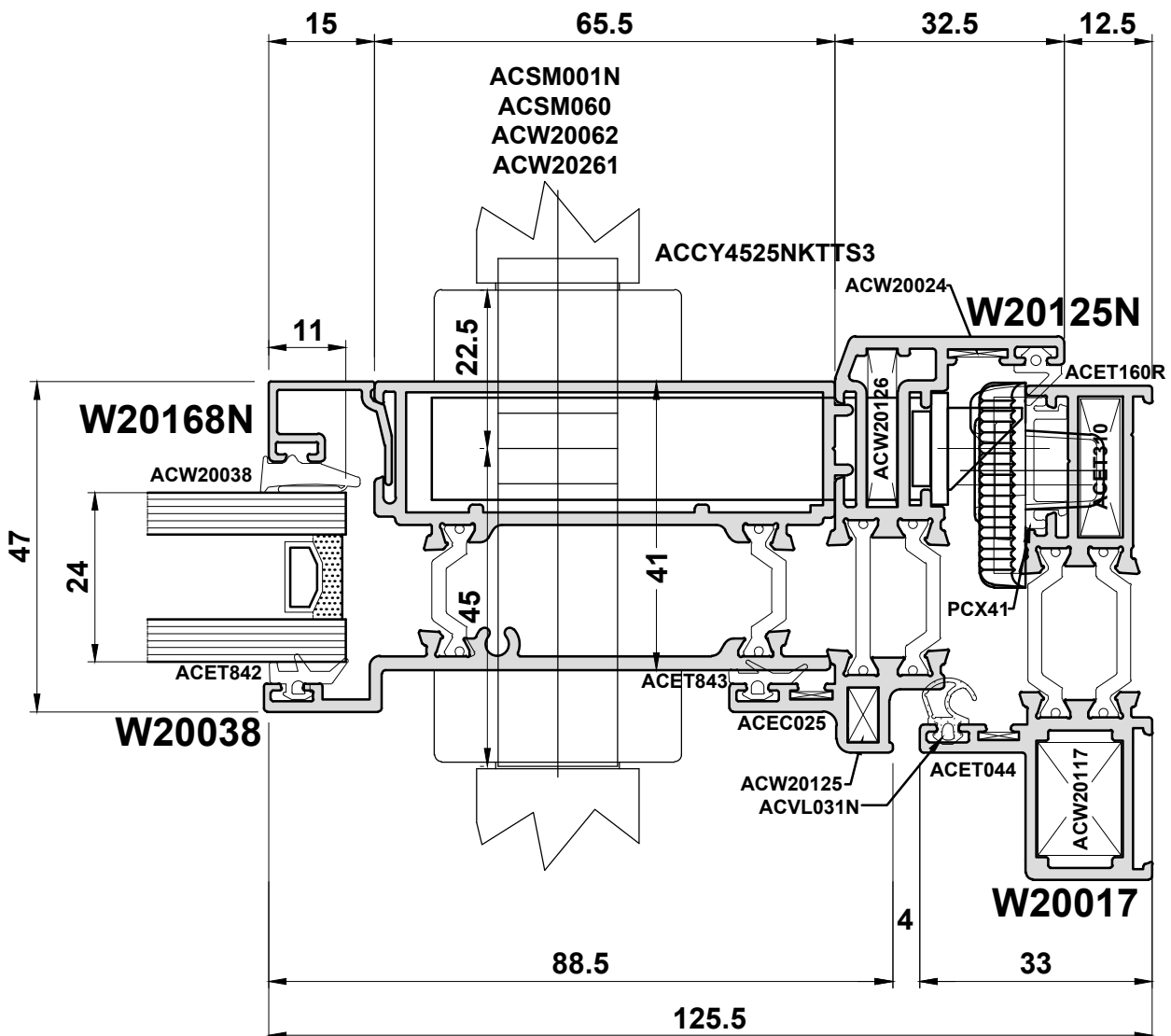
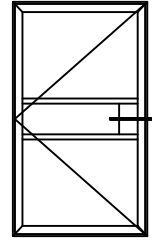
Do Not Scale From This Drawing

Detail 12A



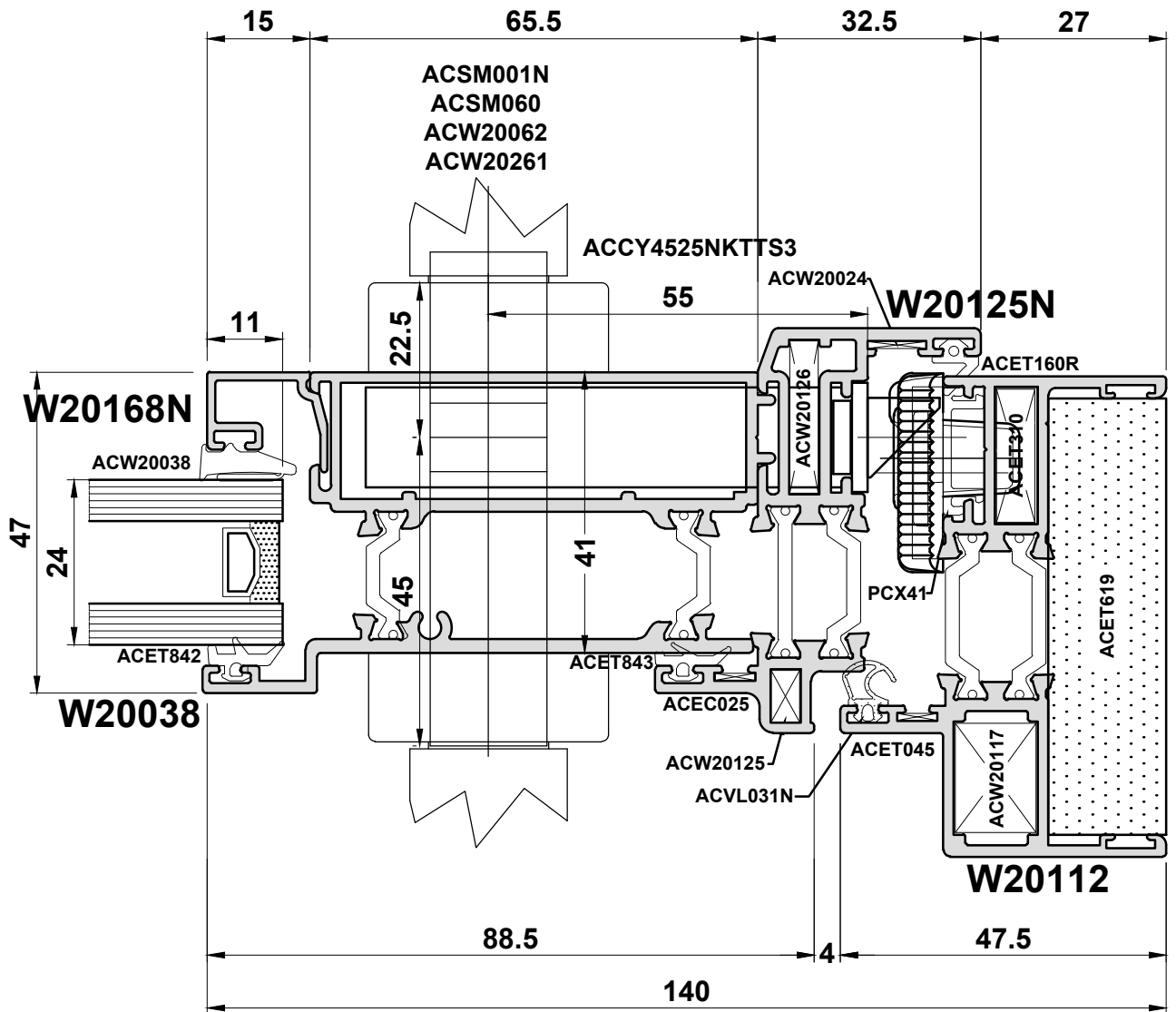
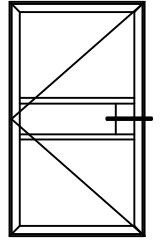
Do Not Scale From This Drawing

Detail 12B



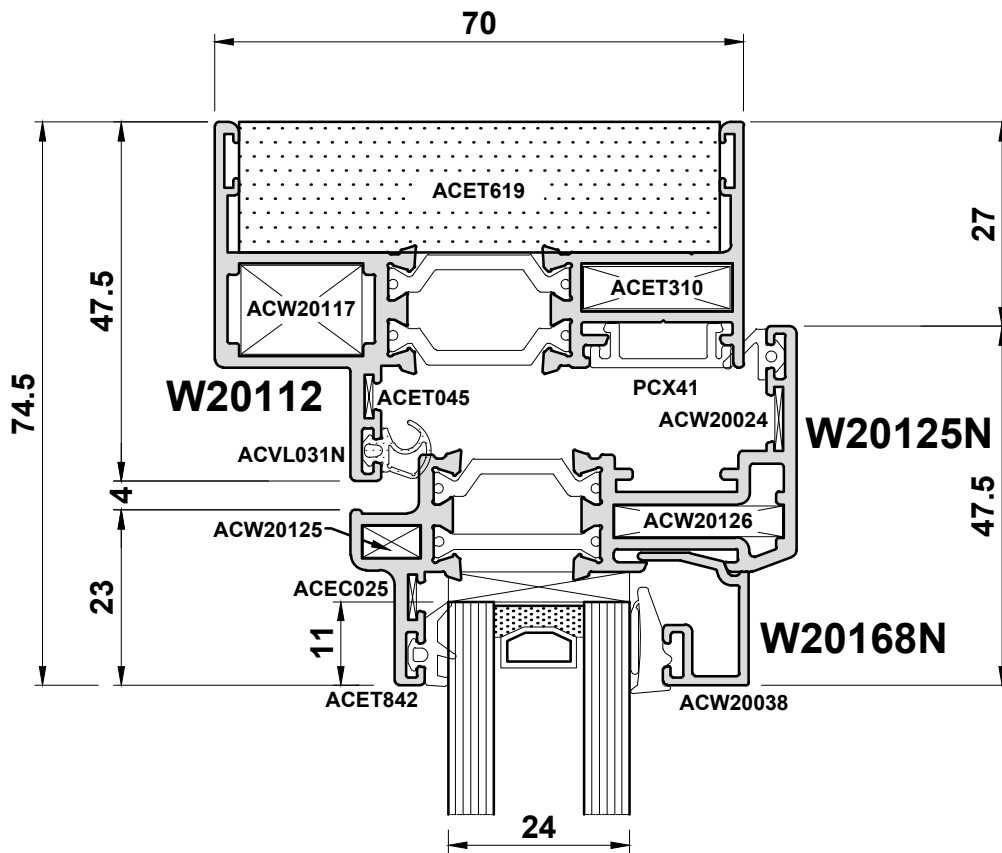
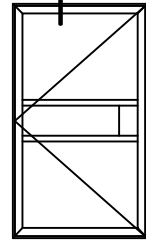
Do Not Scale From This Drawing

Detail 12C



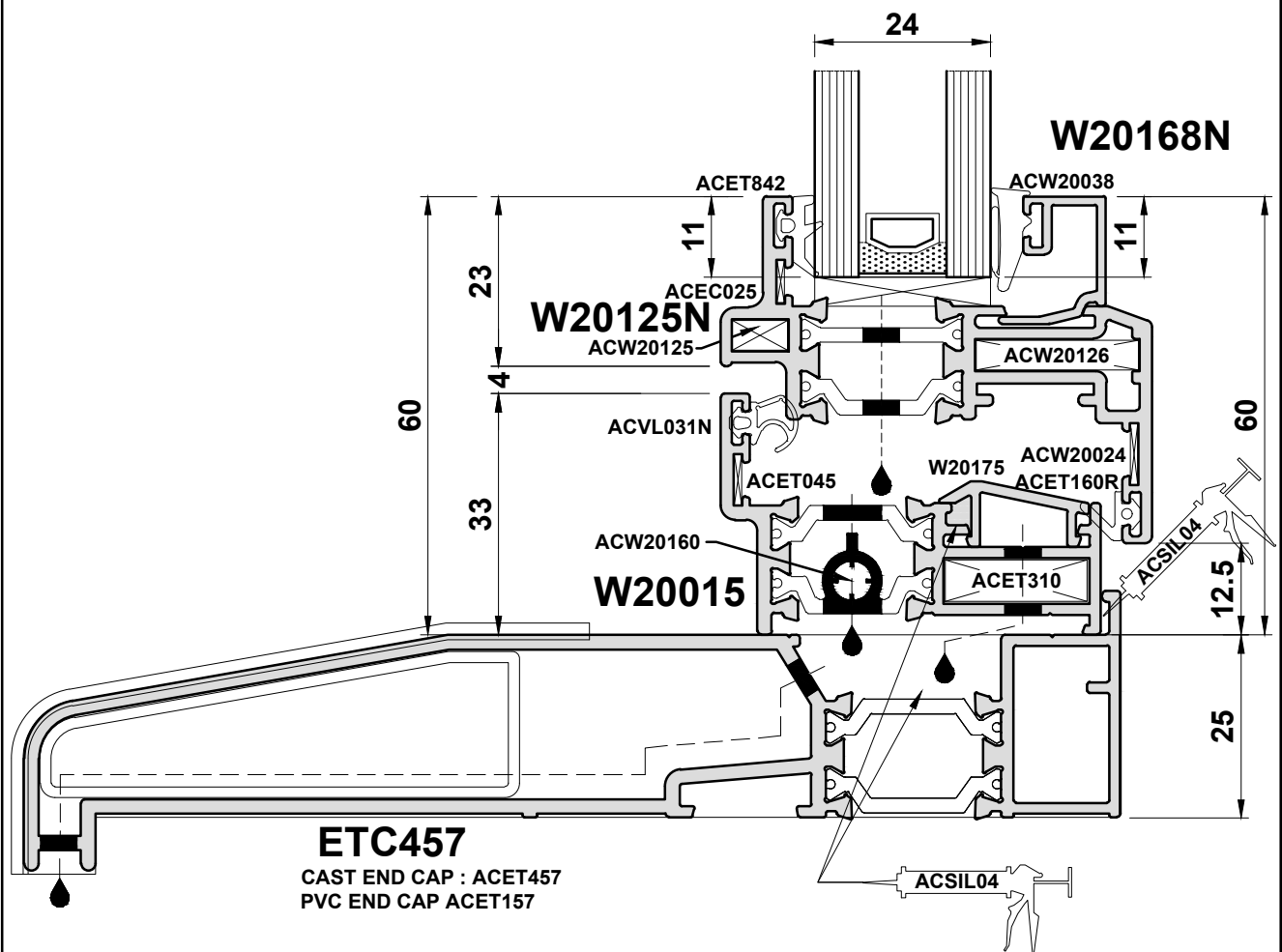
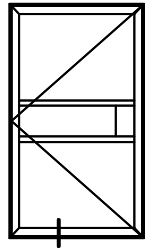
Do Not Scale From This Drawing

Detail 13C



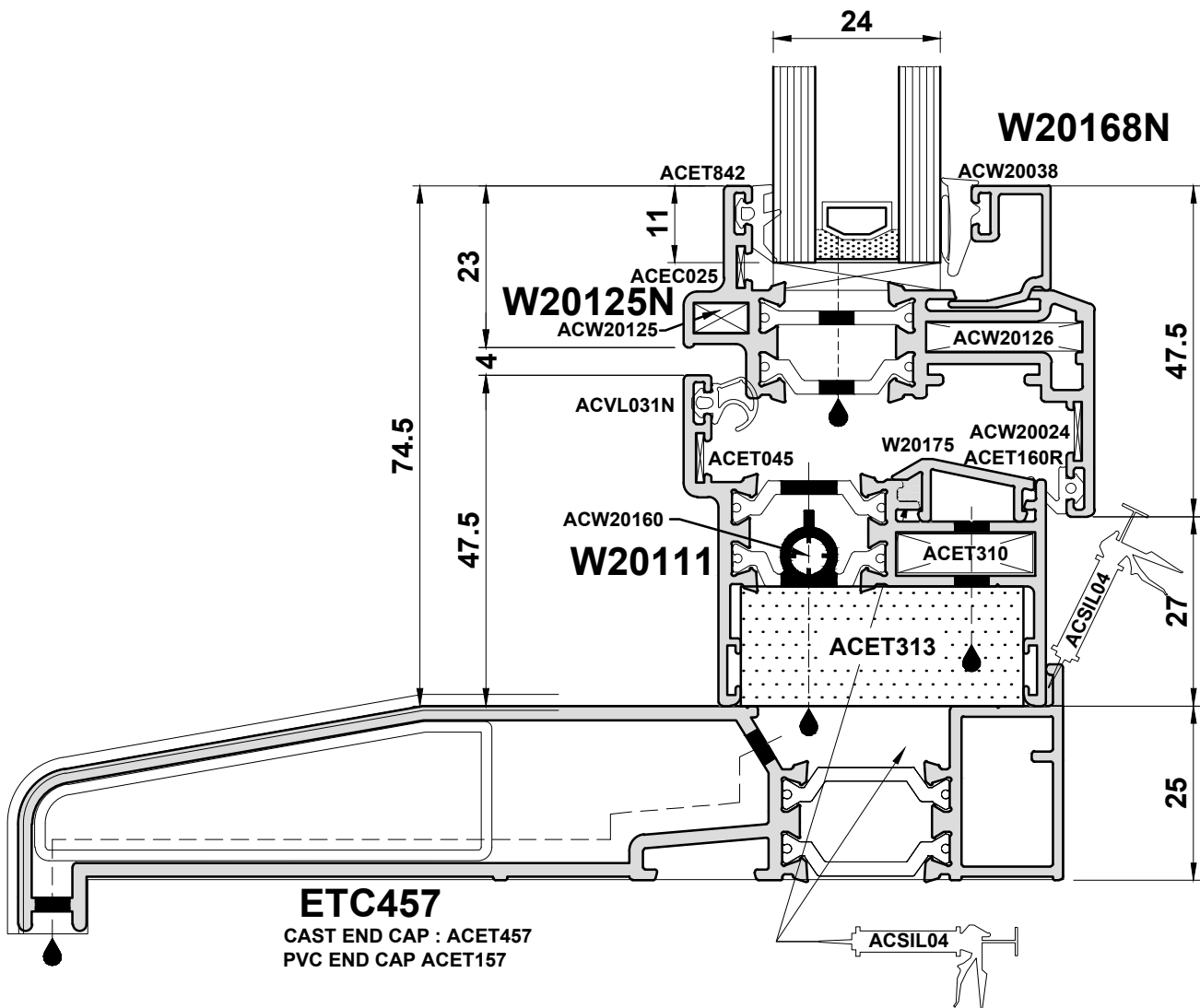
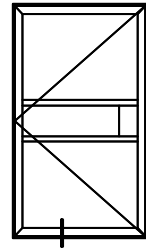
Do Not Scale From This Drawing

Detail 14A



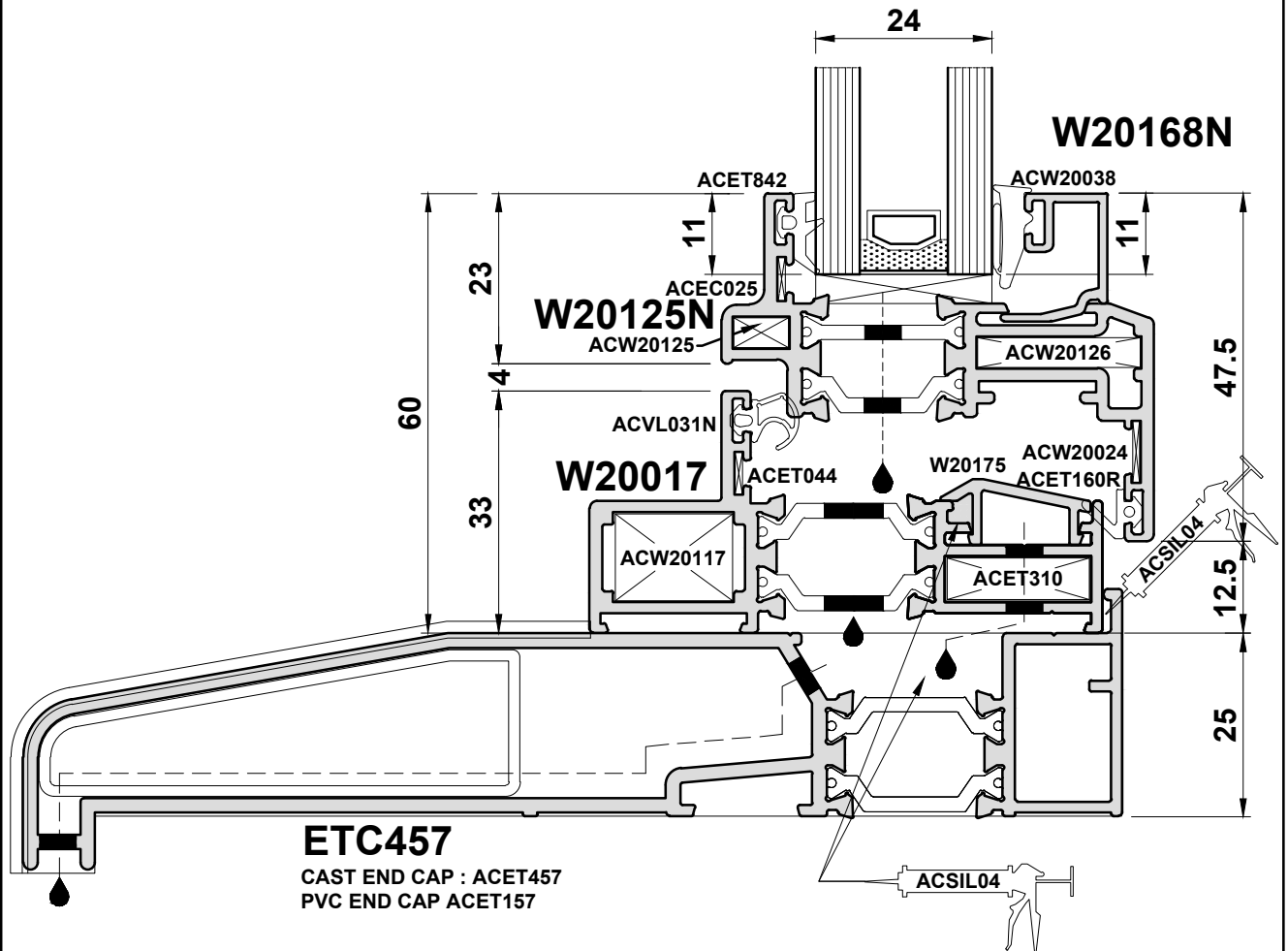
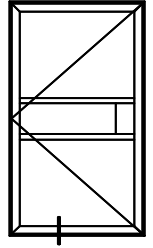
Do Not Scale From This Drawing

Detail 14B



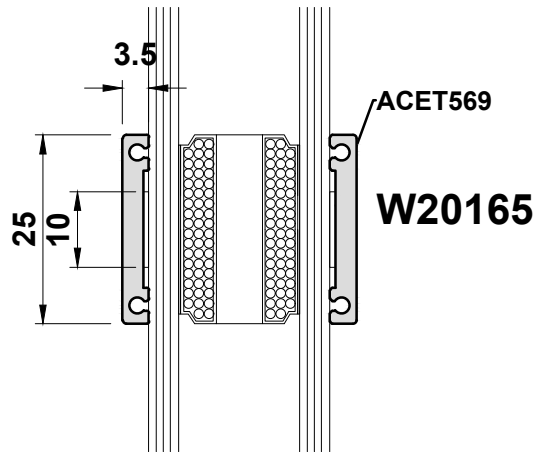
Do Not Scale From This Drawing

Detail 14C

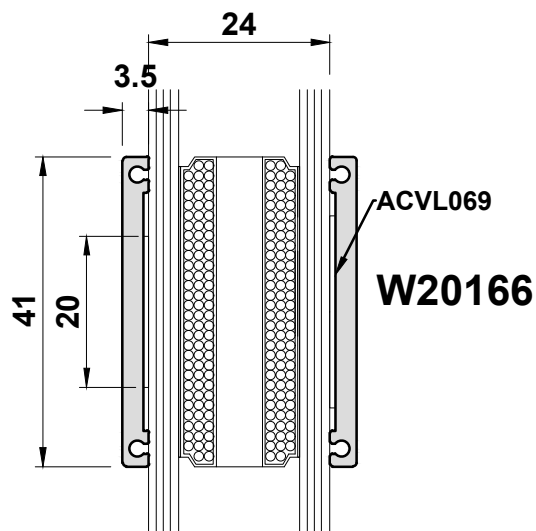


Do Not Scale From This Drawing

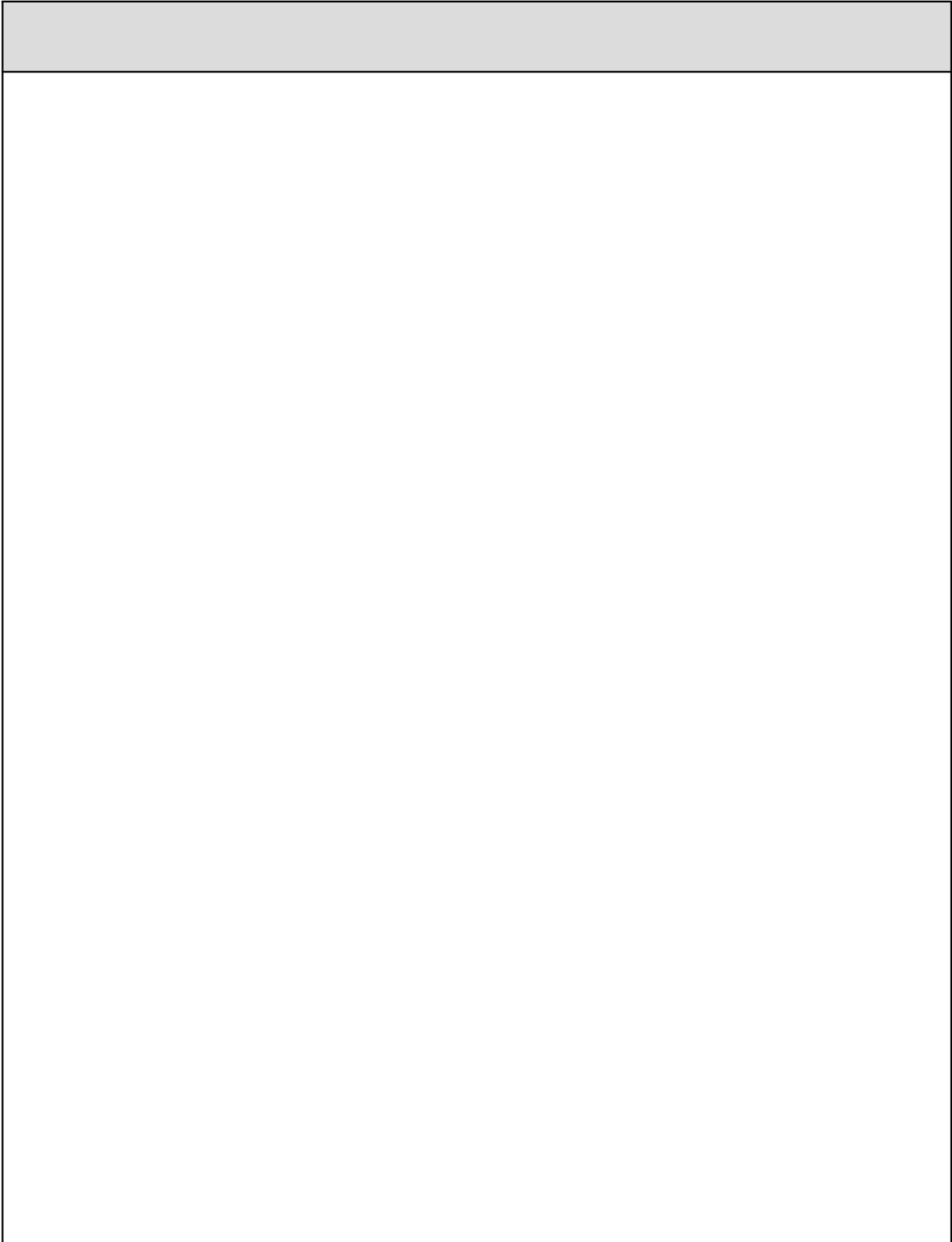
Detail 18A



Detail 18B

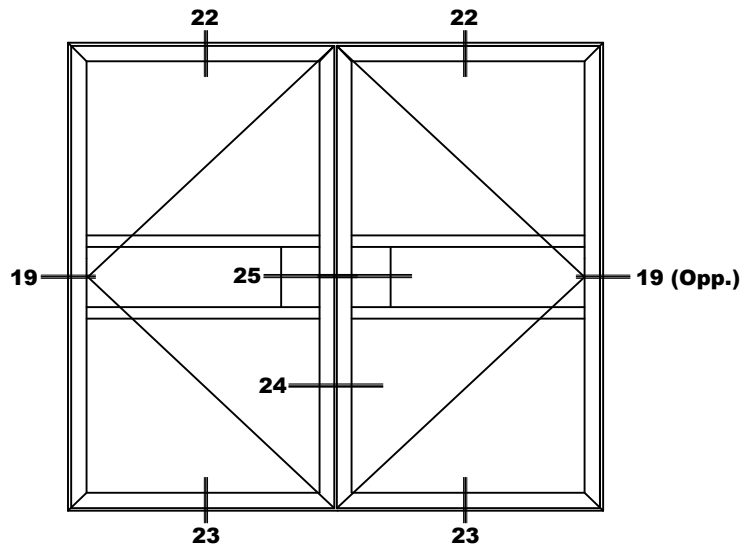
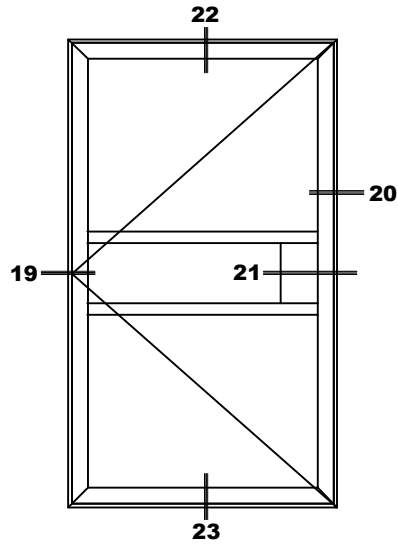


Do Not Scale From This Drawing



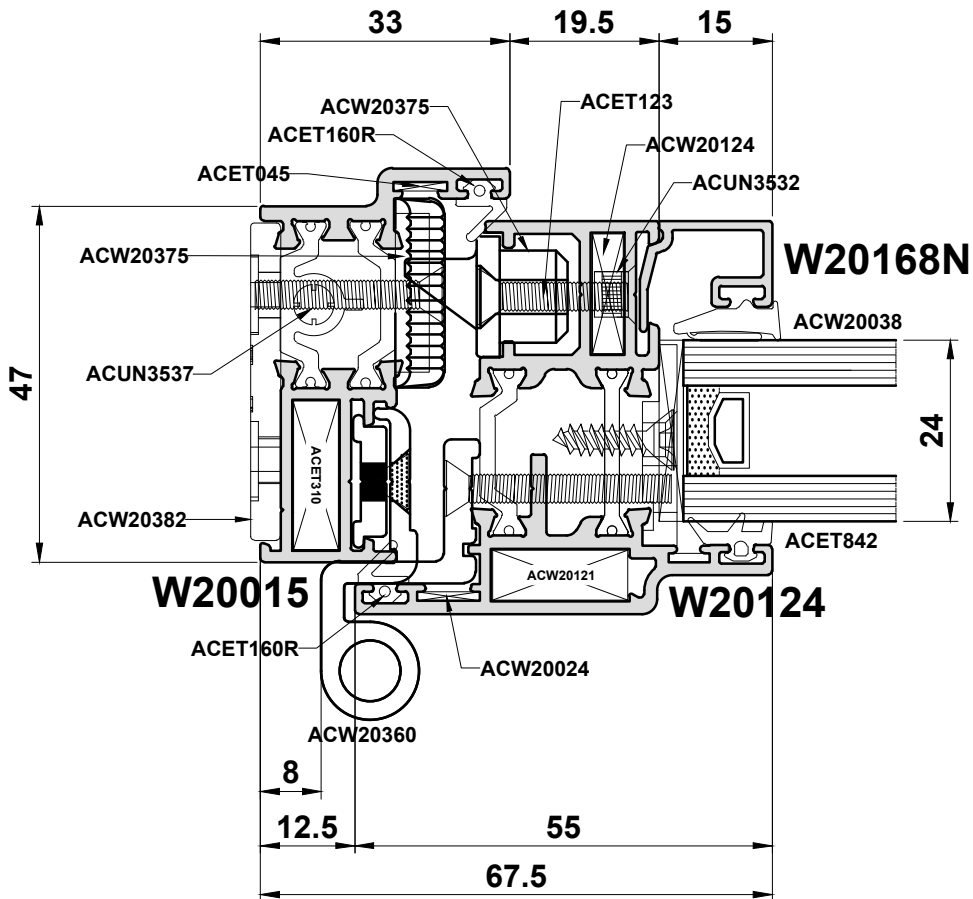
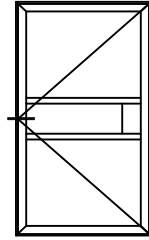
Do Not Scale From This Drawing

PAS24:2016 Open Out Doors



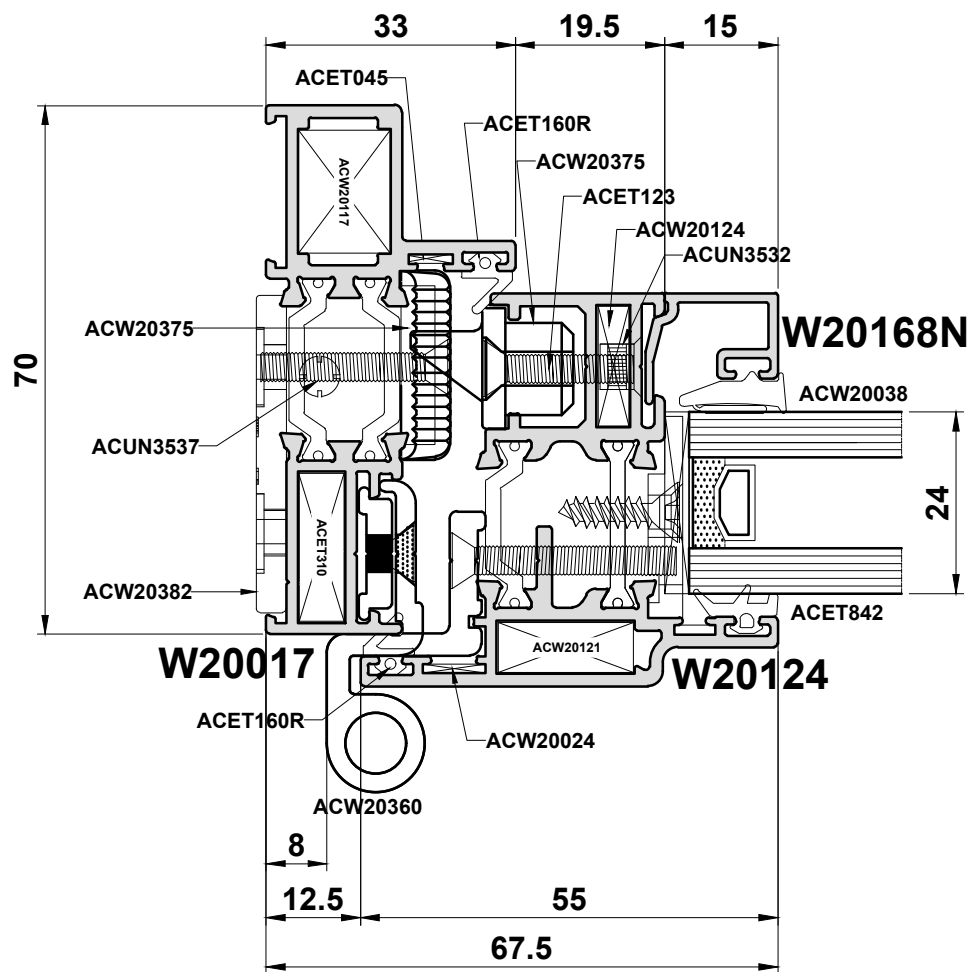
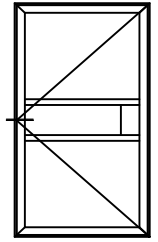
Do Not Scale From This Drawing

Detail 19A



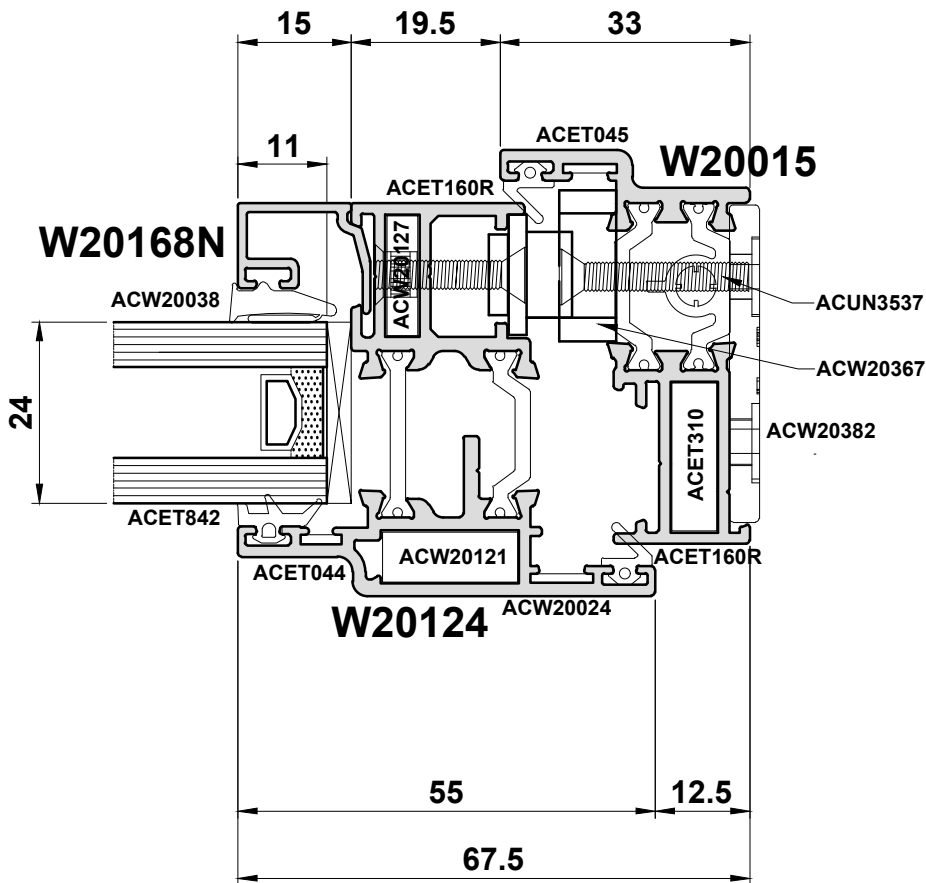
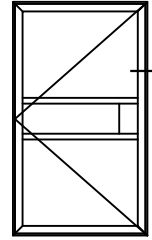
Do Not Scale From This Drawing

Detail 19B



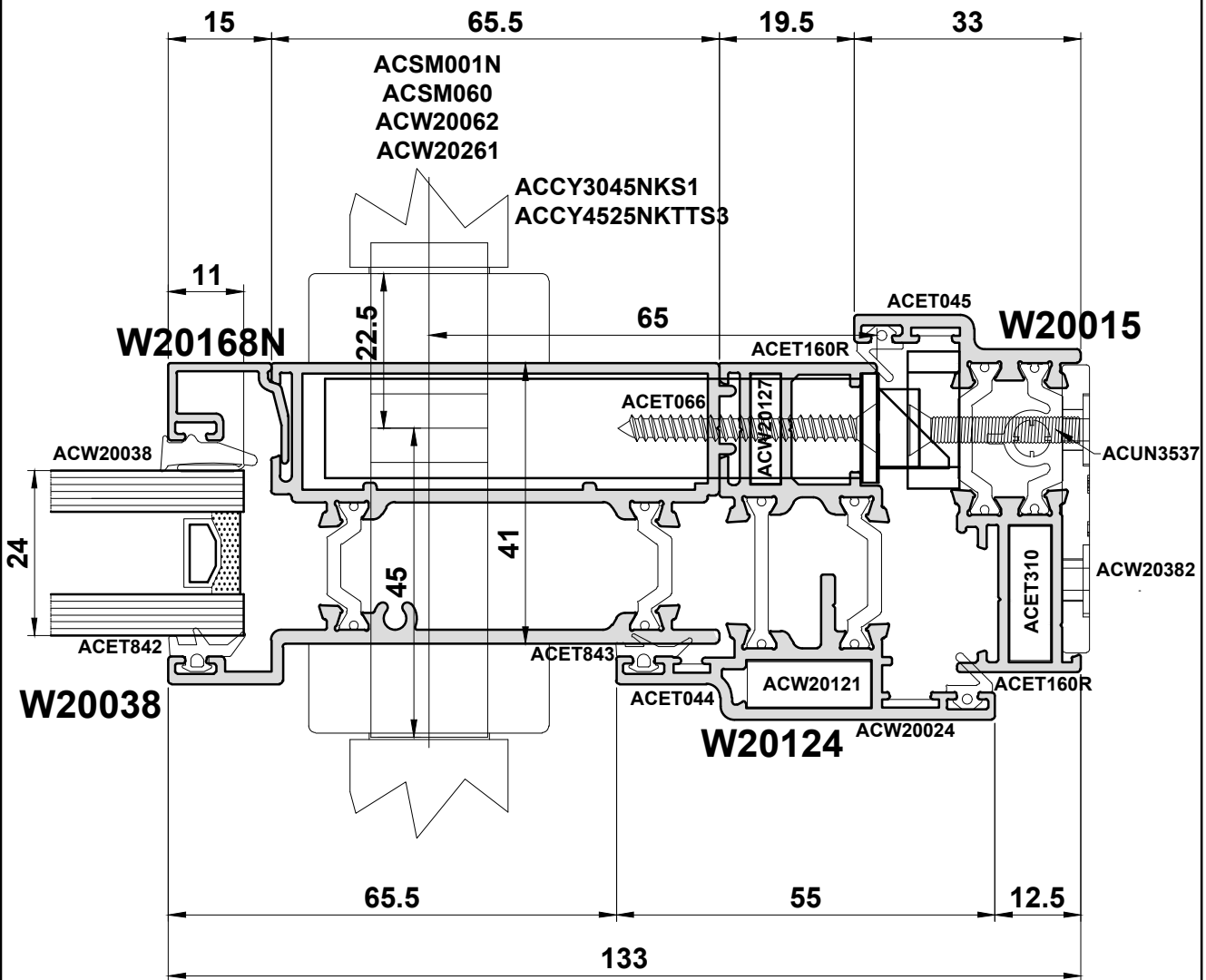
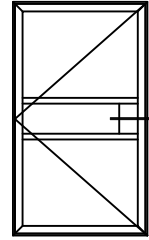
Do Not Scale From This Drawing

Detail 20A



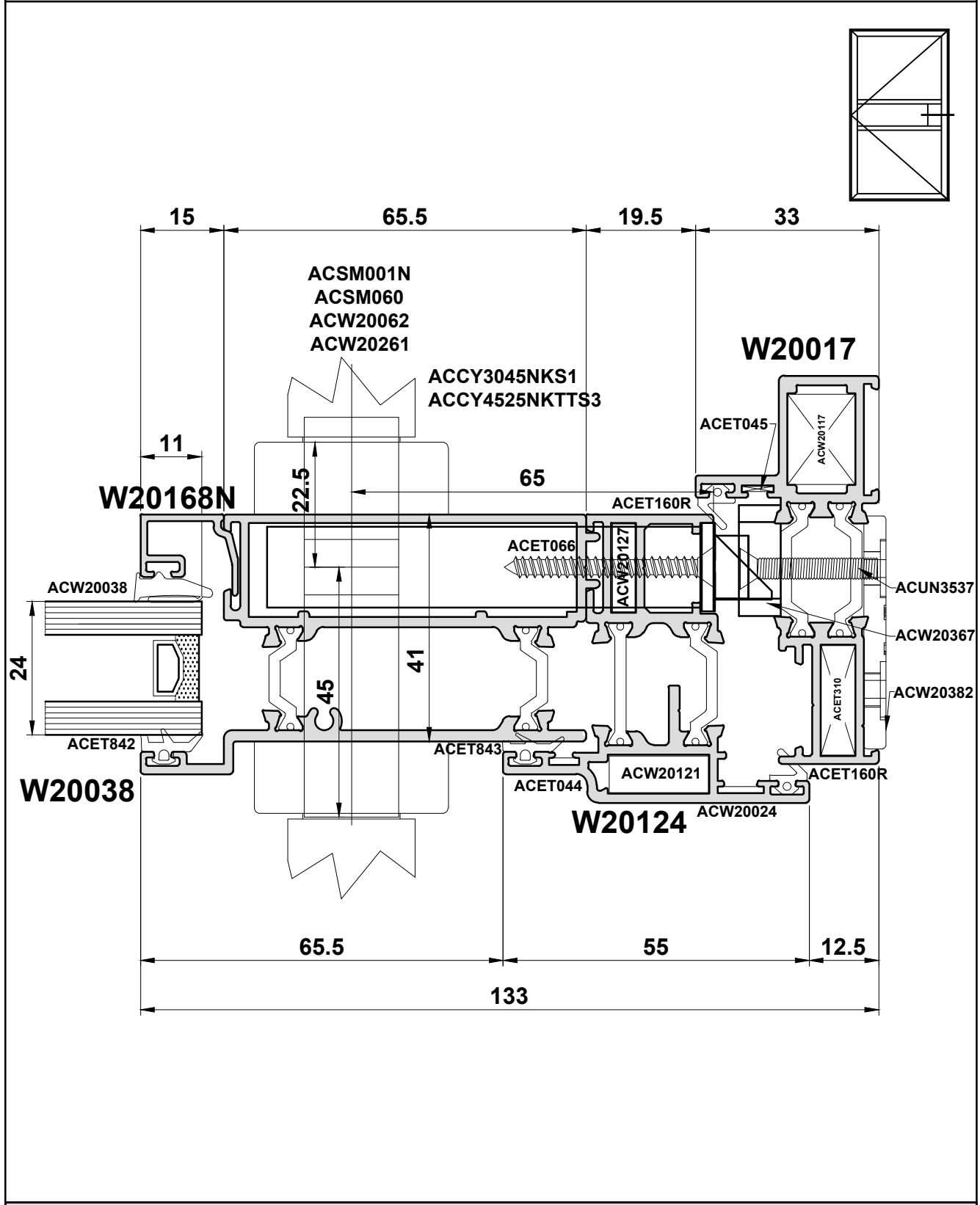
Do Not Scale From This Drawing

Detail 21A



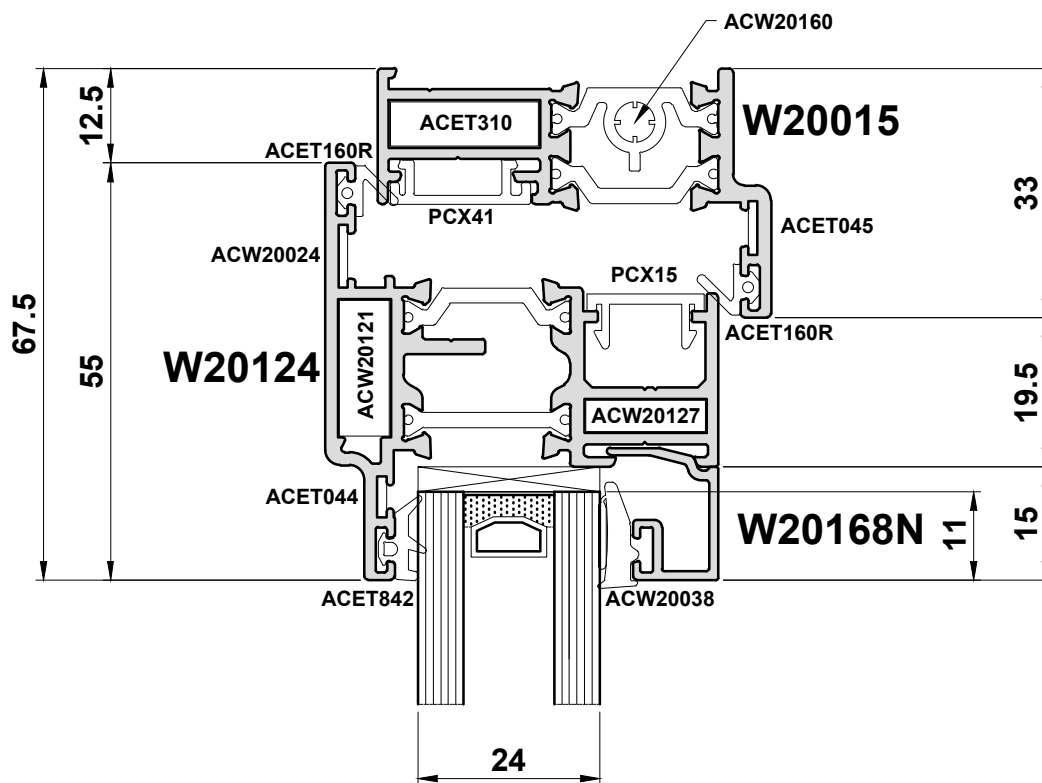
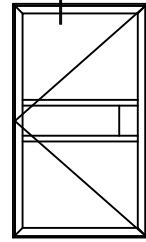
Do Not Scale From This Drawing

Detail 21B



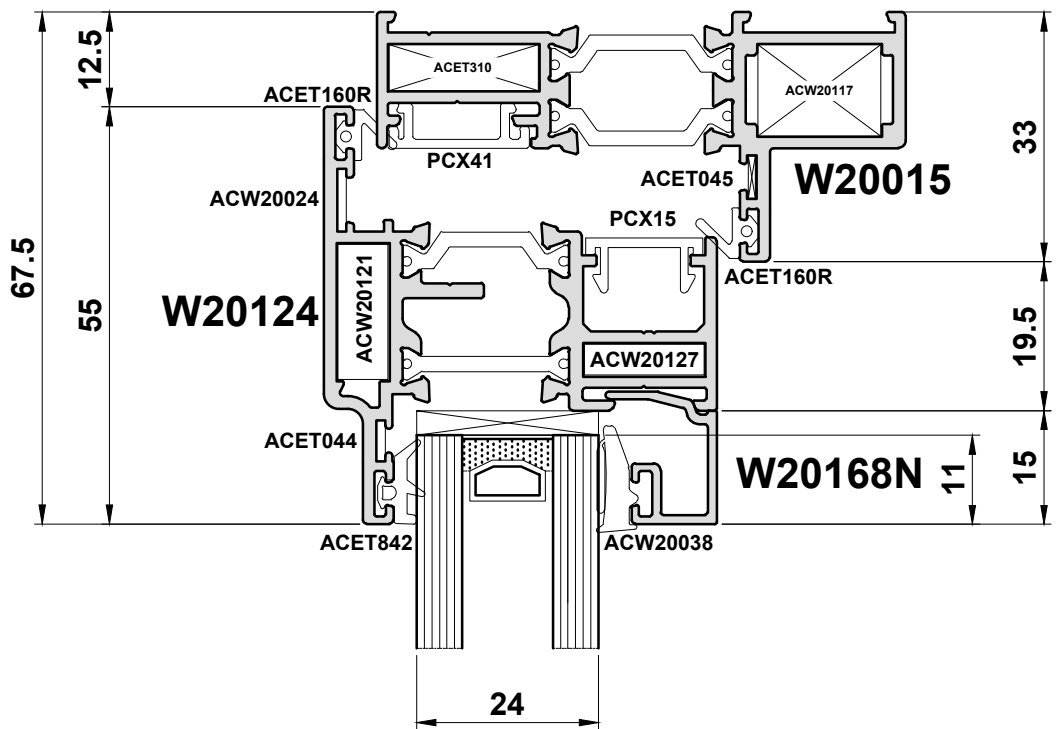
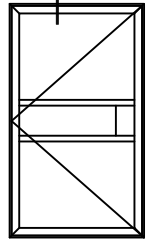
Do Not Scale From This Drawing

Detail 22A



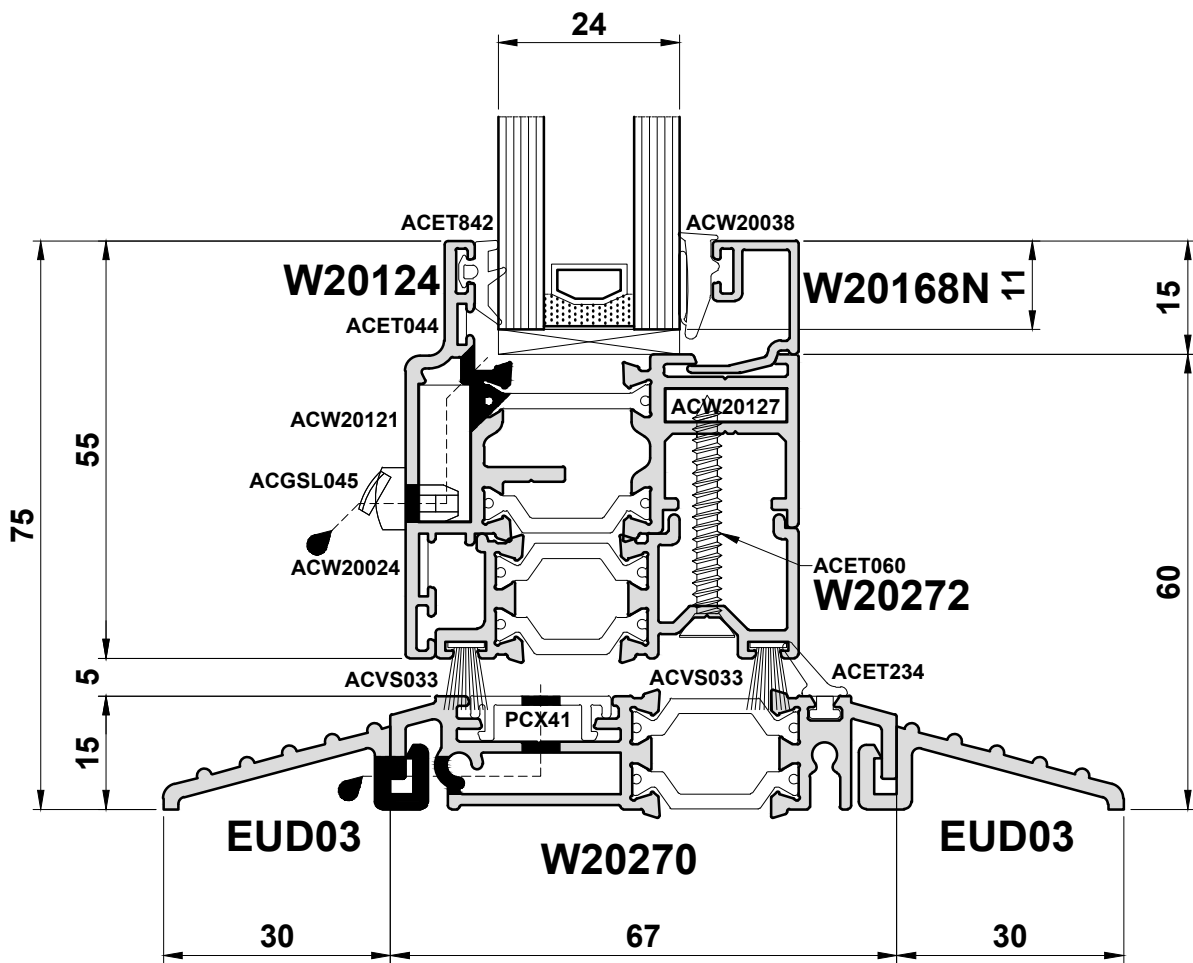
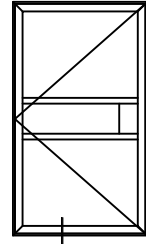
Do Not Scale From This Drawing

Detail 22B



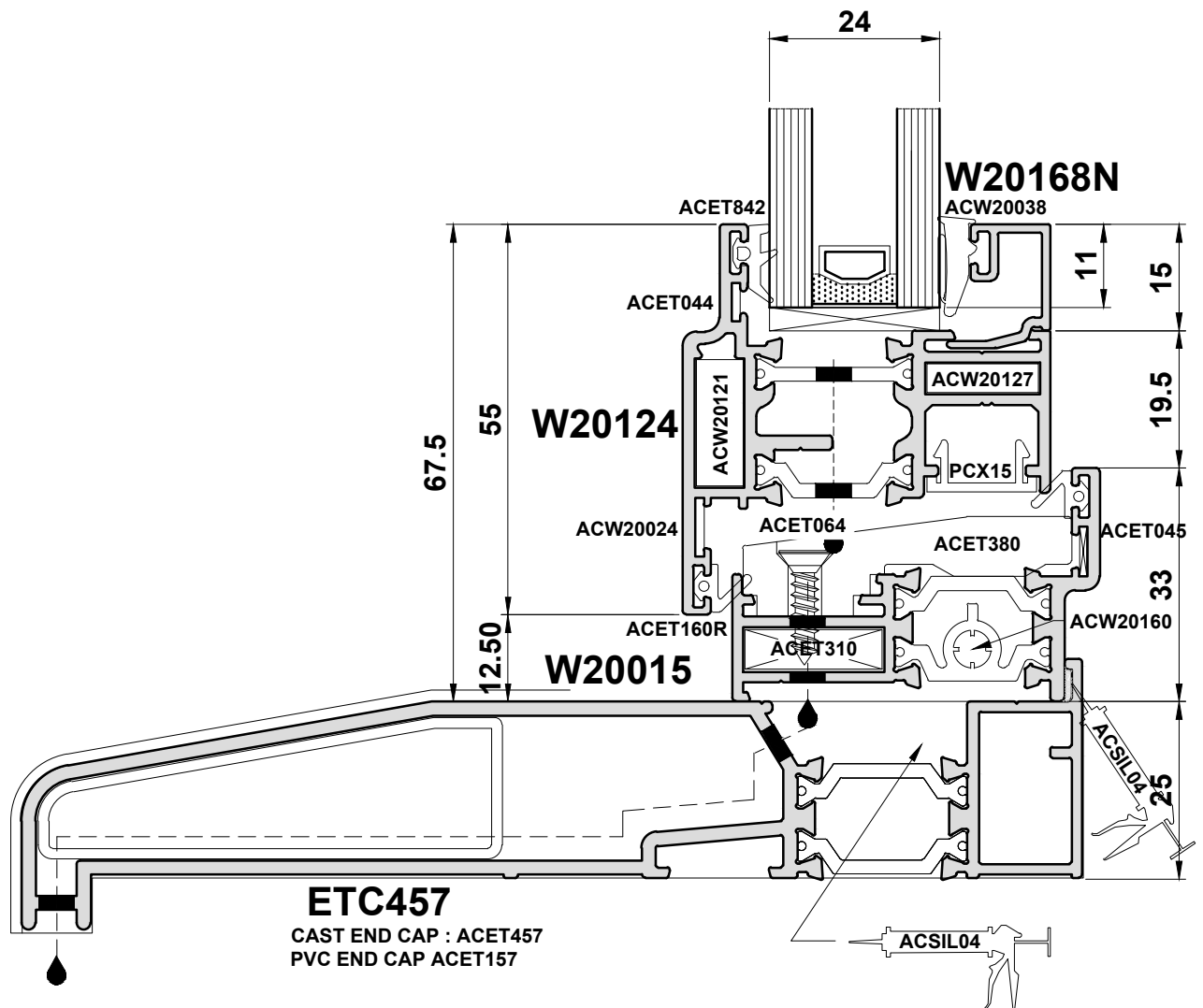
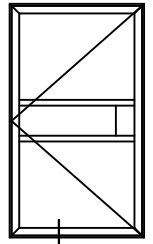
Do Not Scale From This Drawing

Detail 23A



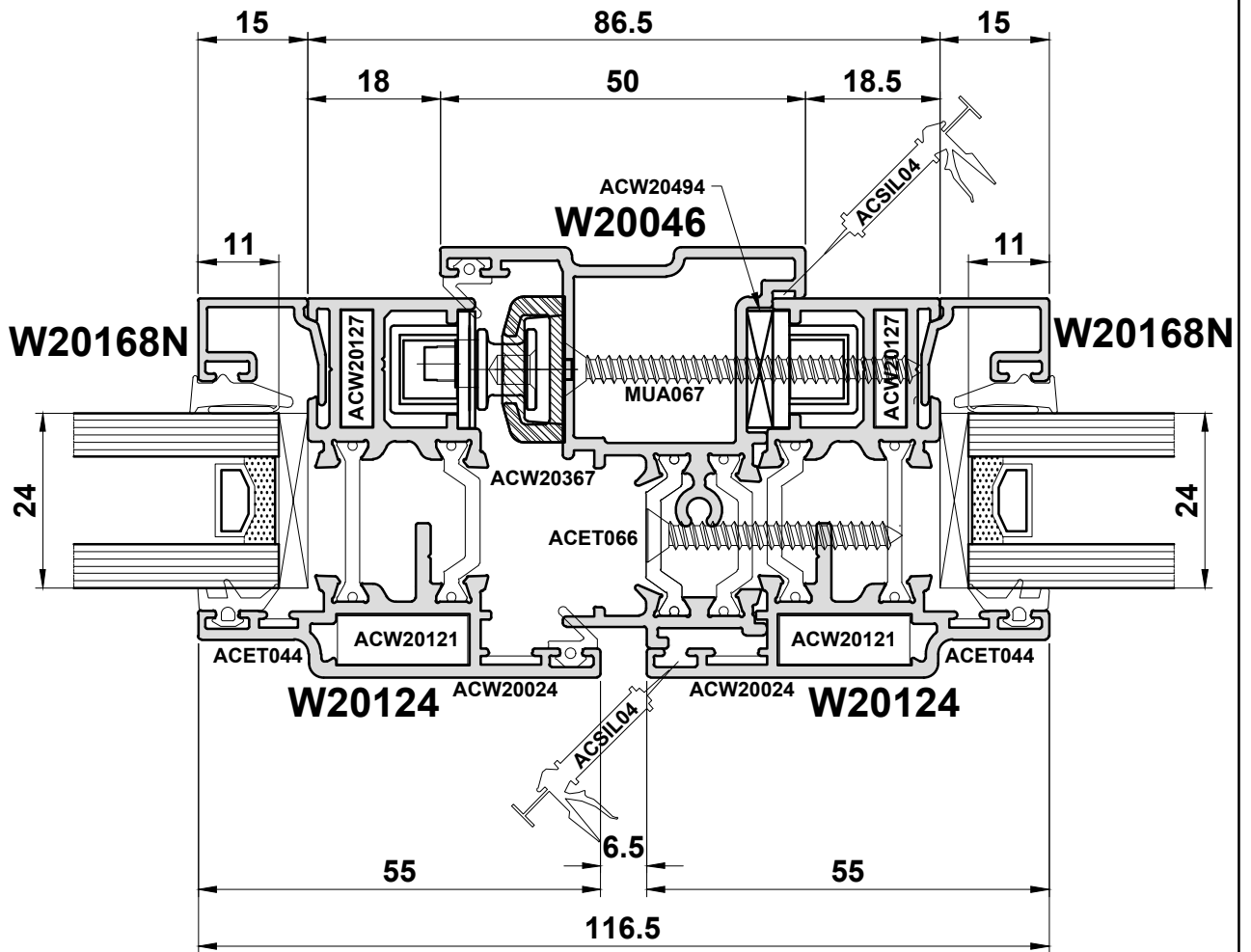
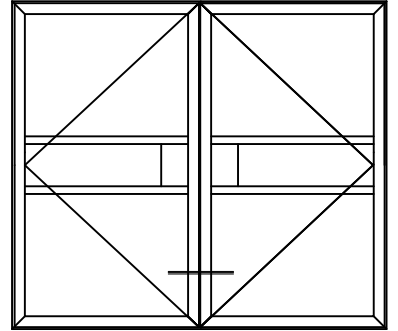
Do Not Scale From This Drawing

Detail 23B



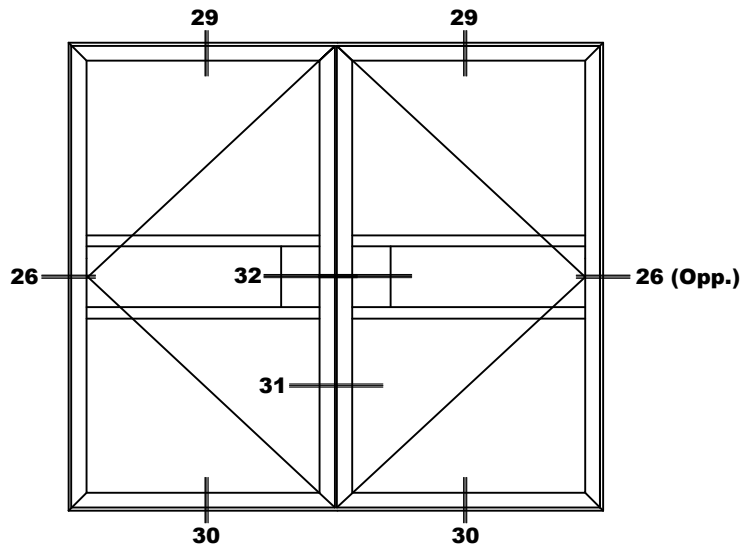
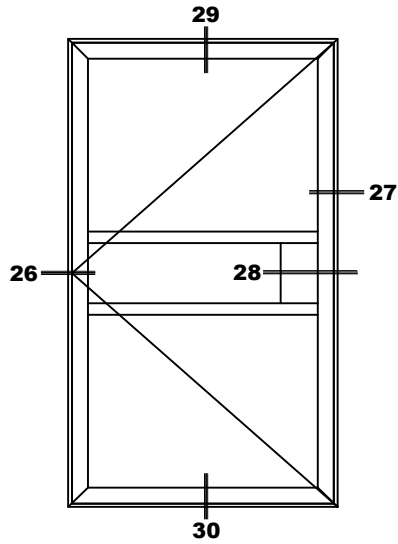
Do Not Scale From This Drawing

Detail 24



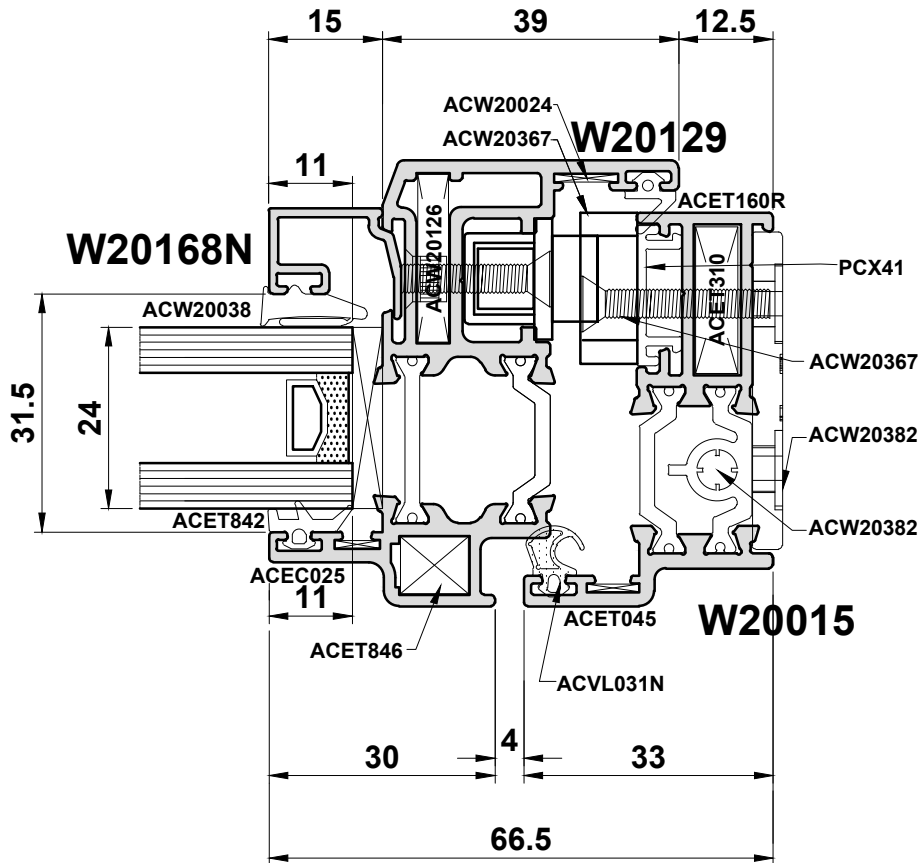
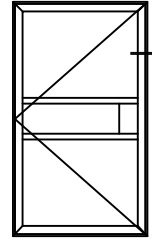
Do Not Scale From This Drawing

PAS24:2016 Open In Doors



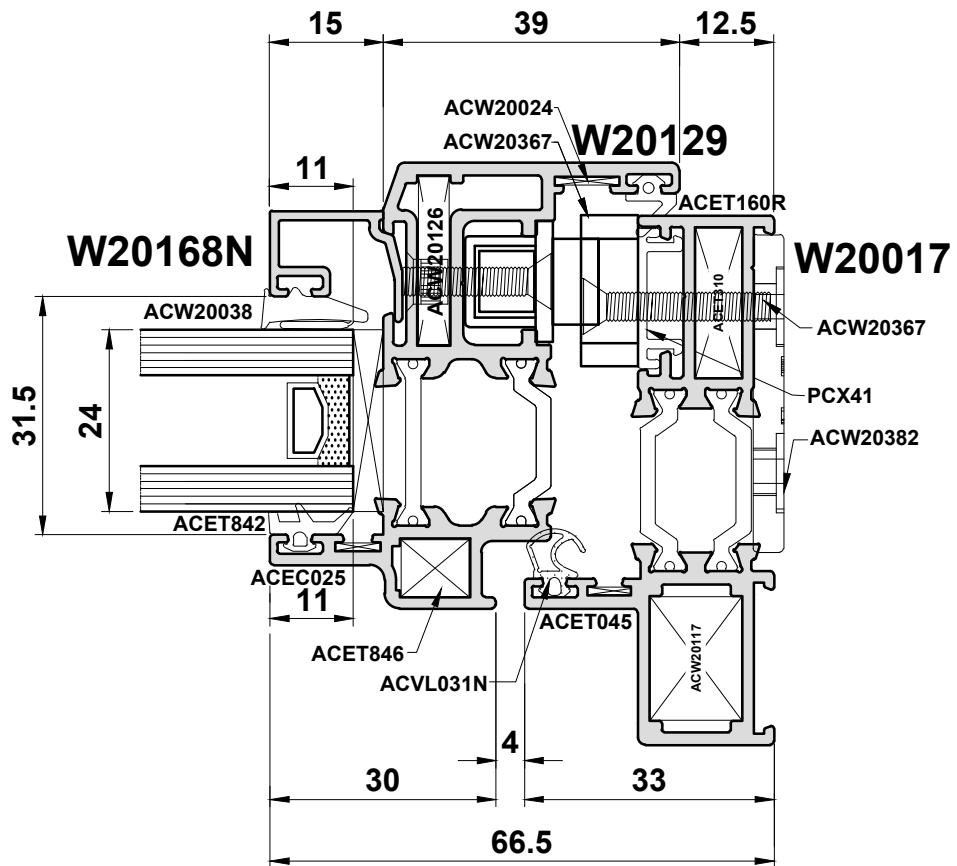
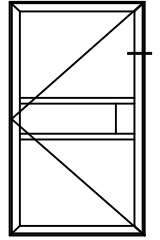
Do Not Scale From This Drawing

Detail 27A



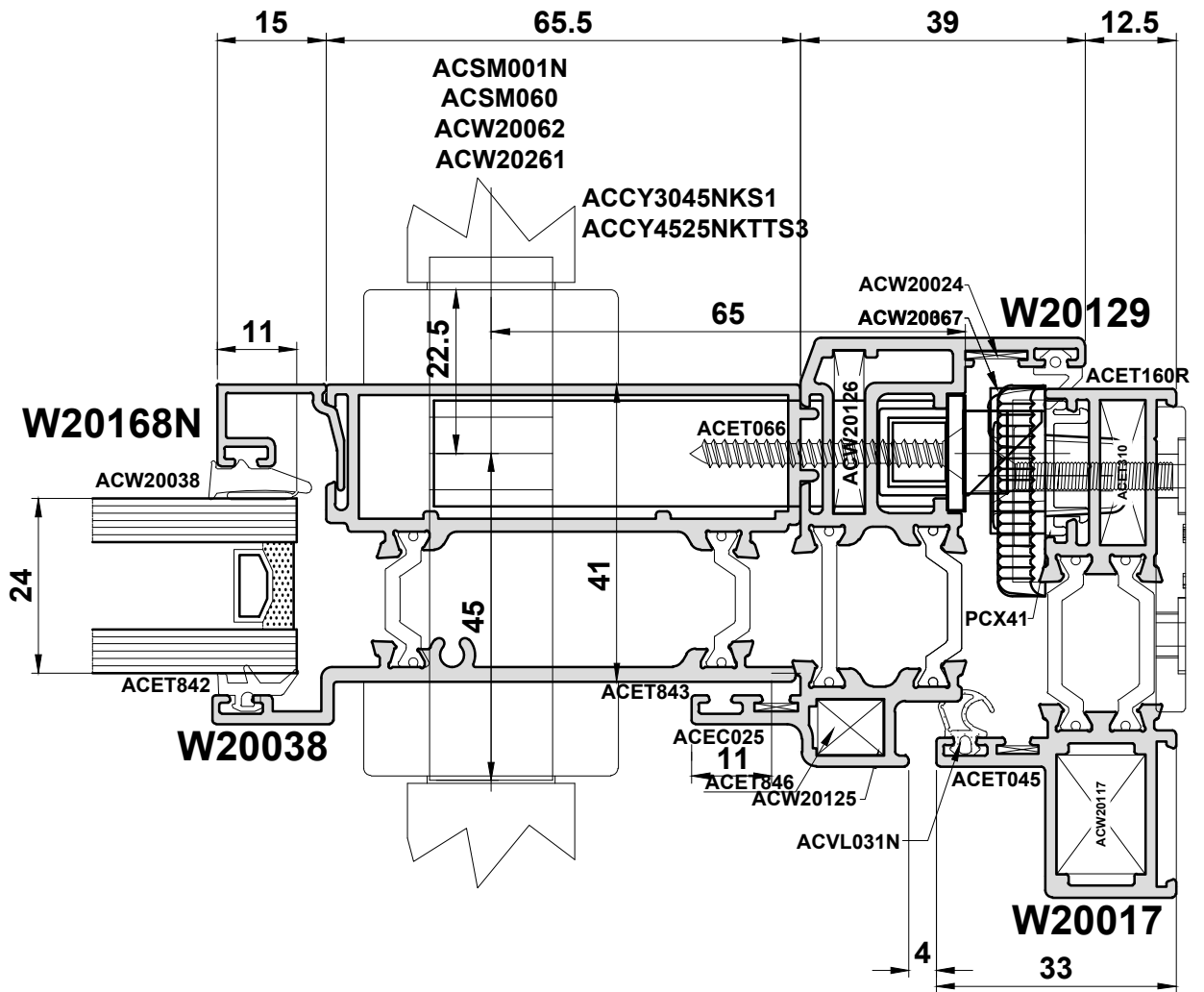
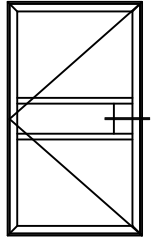
Do Not Scale From This Drawing

Detail 27B



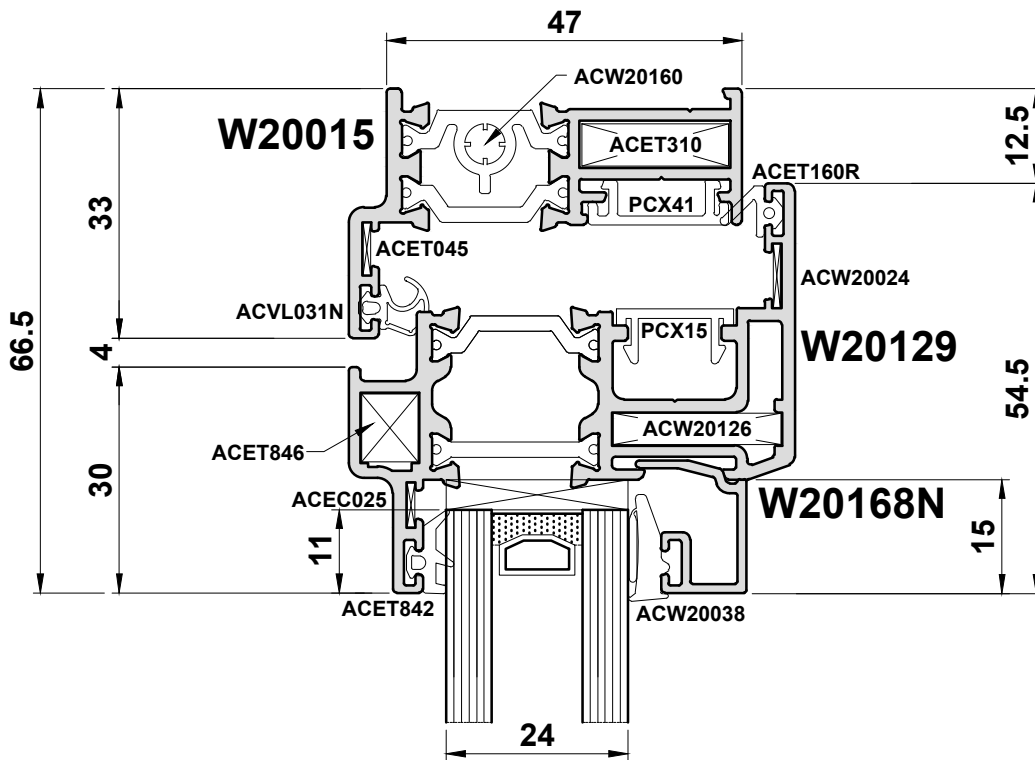
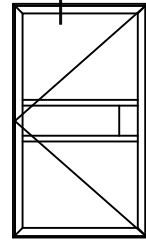
Do Not Scale From This Drawing

Detail 28B



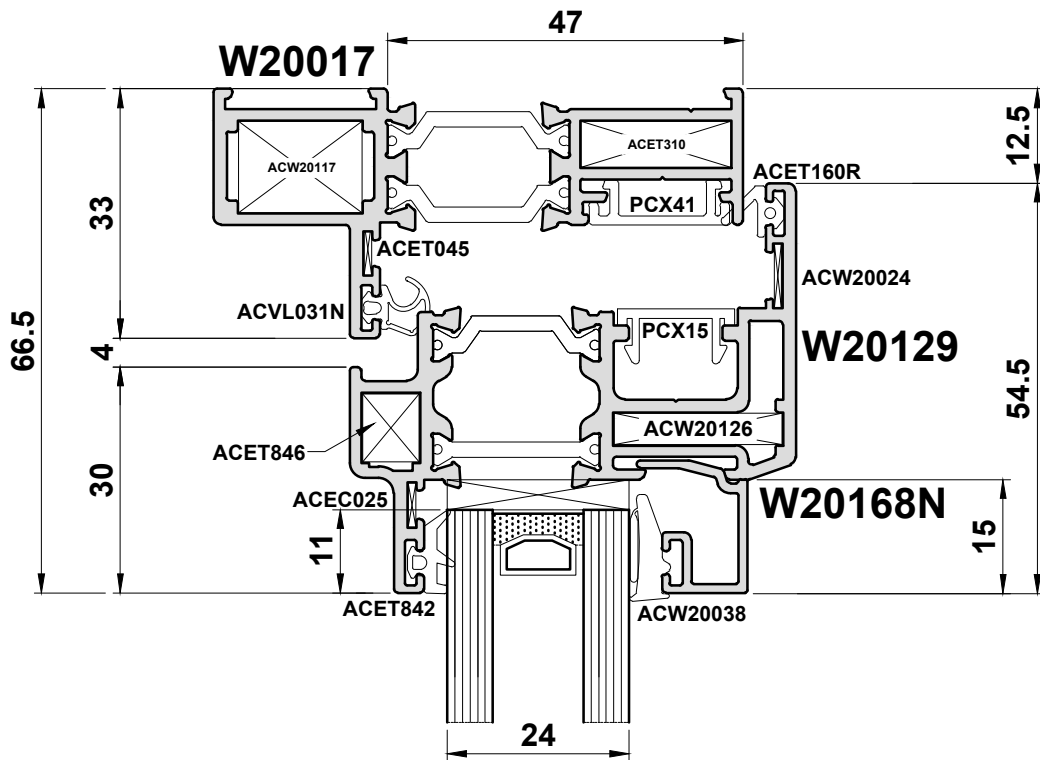
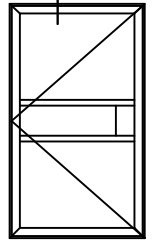
Do Not Scale From This Drawing

Detail 29A



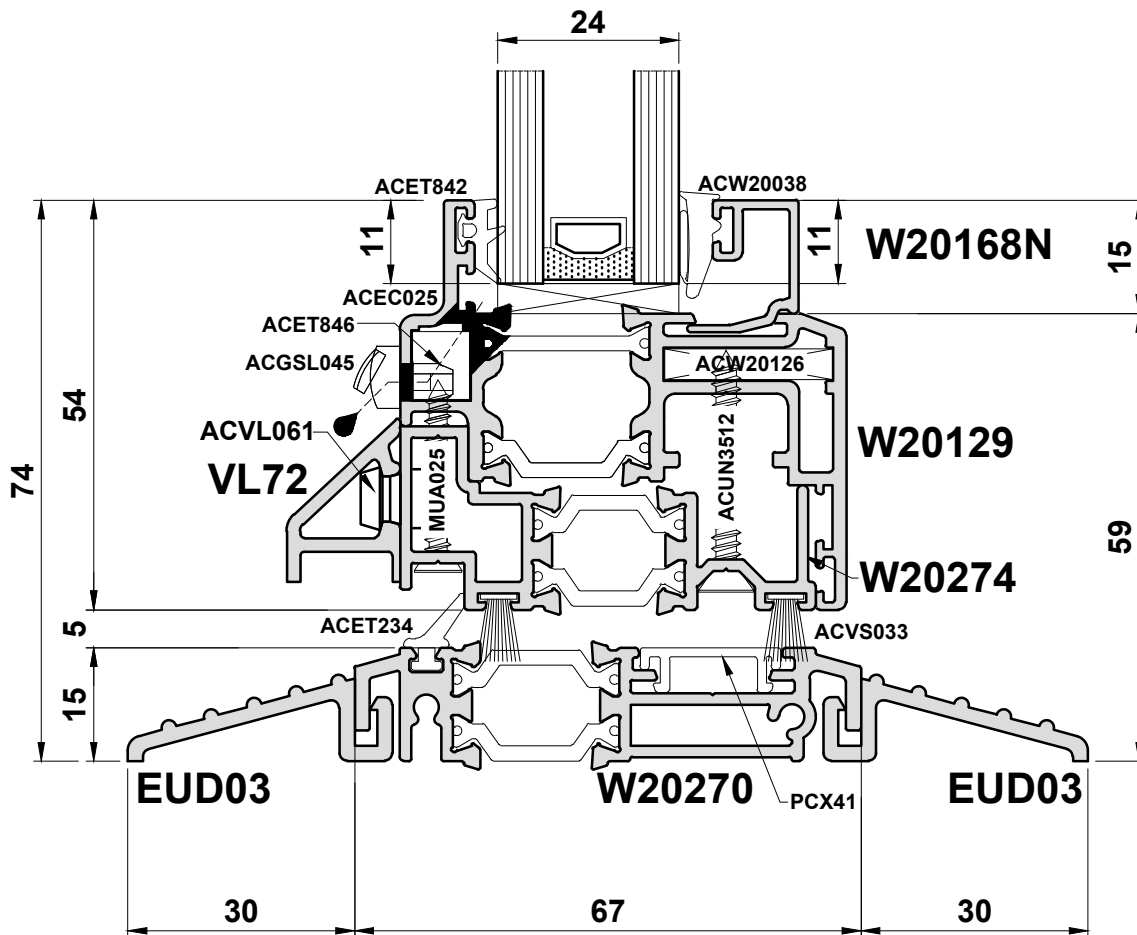
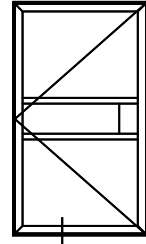
Do Not Scale From This Drawing

Detail 29B



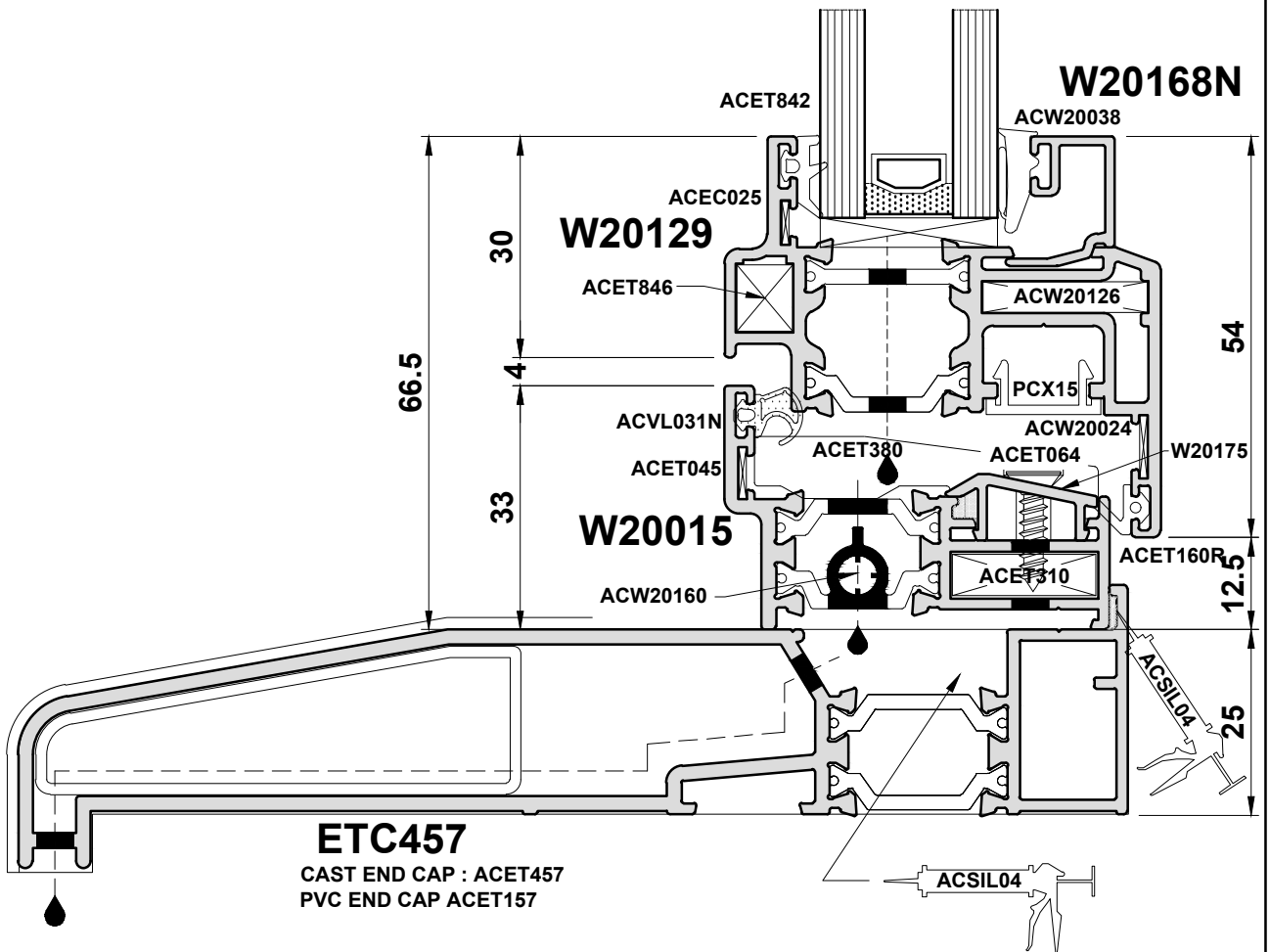
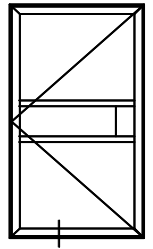
Do Not Scale From This Drawing

Detail 30A



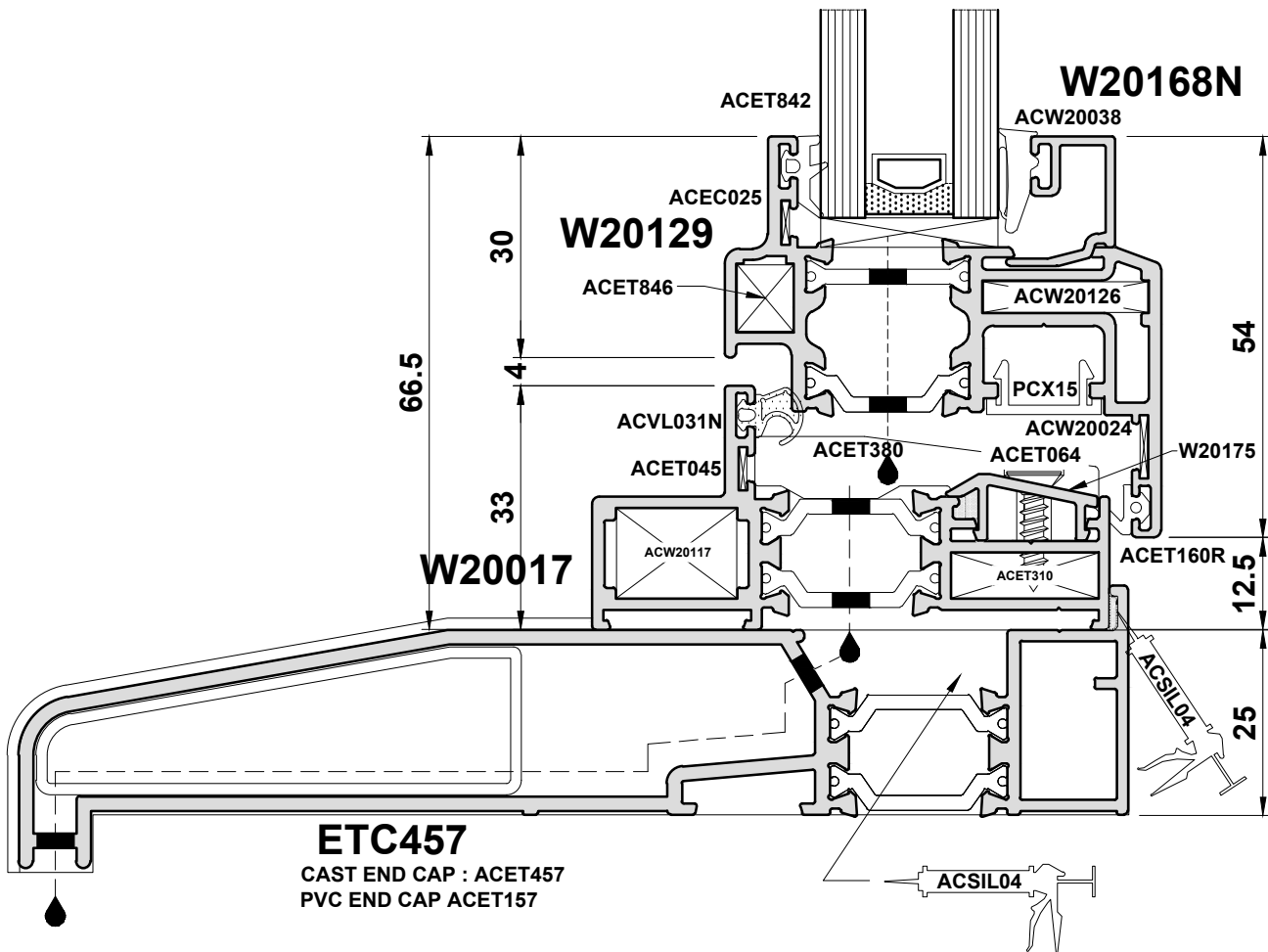
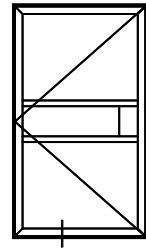
Do Not Scale From This Drawing

Detail 30B



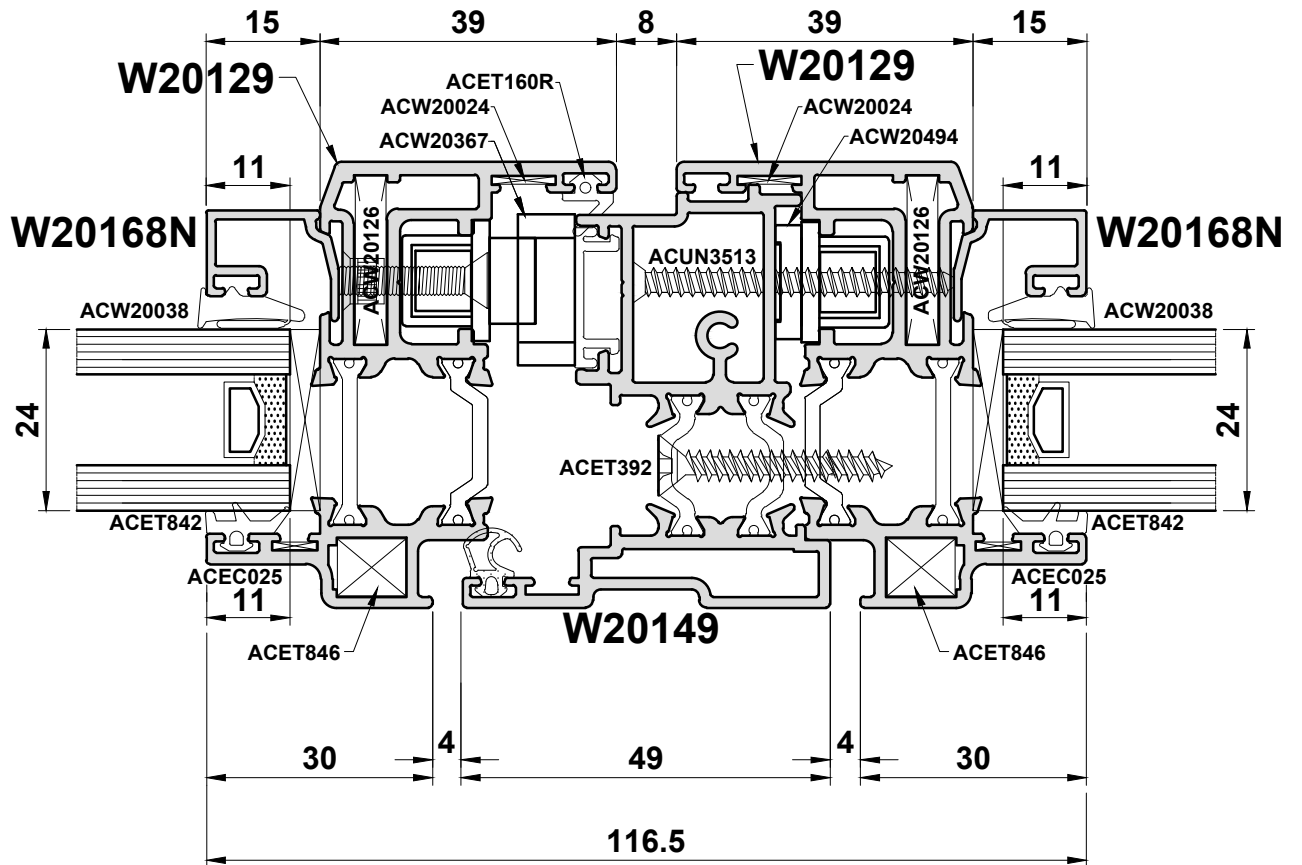
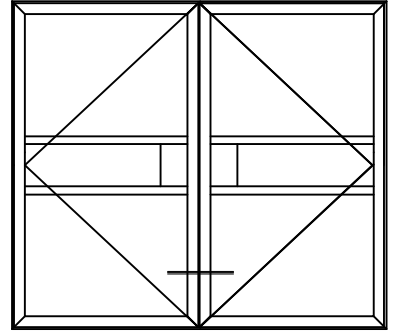
Do Not Scale From This Drawing

Detail 30C



Do Not Scale From This Drawing

Detail 31



Do Not Scale From This Drawing

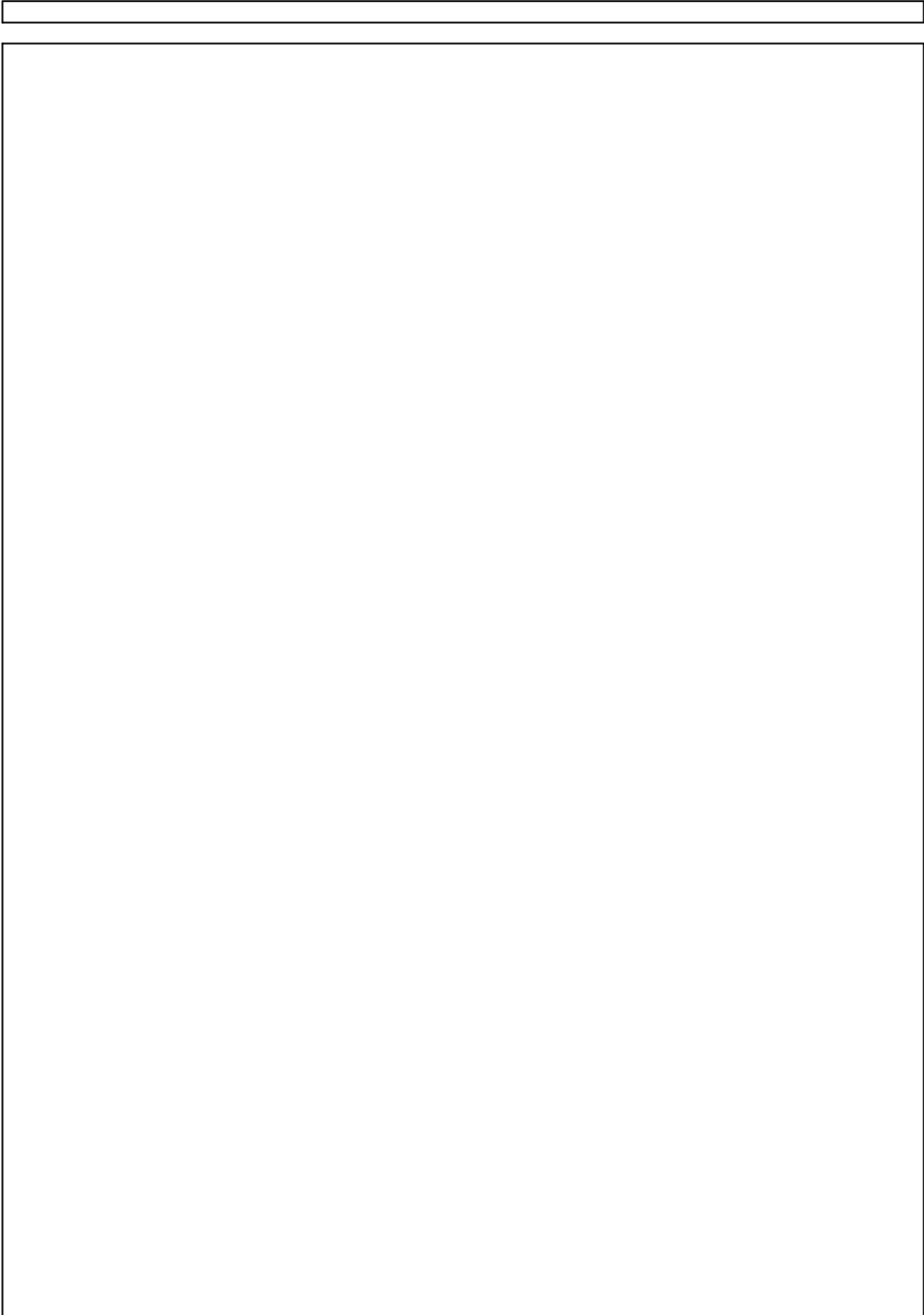
Section D

Statics

Open Out & In

General Size Limitations are shown on Page A03.

**For Wind Loading Limitations, Please Contact
The Technical Department - T: 01934 876100**

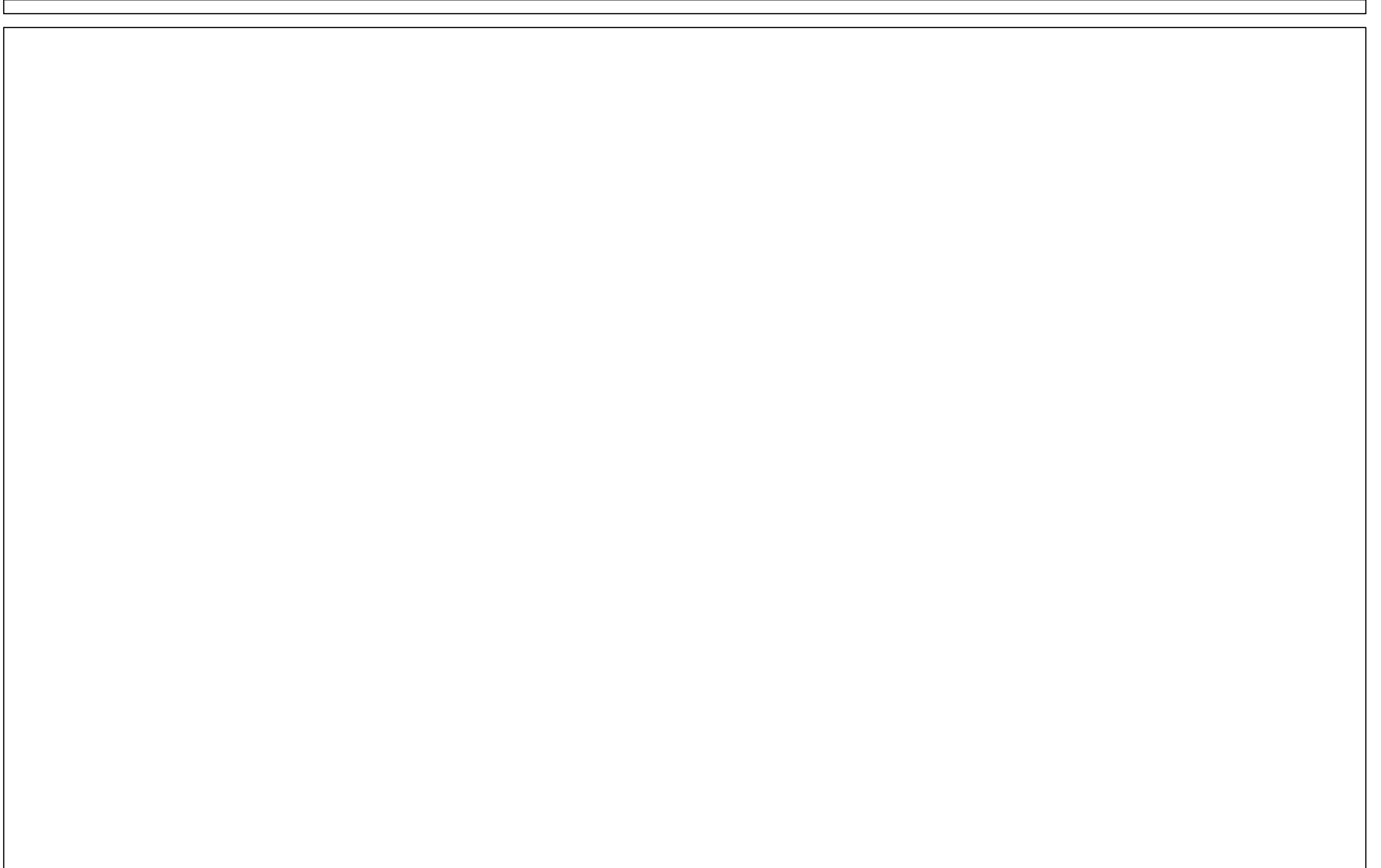


Section E



Construction Drawings

Corner Joint Details.....	E03
Crimping Details.....	E04
Cill Drainage.....	E05
Angle Sub Cill.....	E06
Open Out	
Drainage Details.....	E07 - E08
Single Lock Overview.....	E09
Lock Details.....	E10 - E13
Double Door Lock Overview.....	E14
Double Door using W20048.....	E15
W20124 Lock Selection.....	E16
Double Door Thresholds Using W20046.....	E17 - E18
Low Threshold ACW20270 Detail.....	E19
Hinge Details.....	E20 - E21
90° Restrictor Installation.....	E22
PAS24 Full Requirements.....	E23 - E24



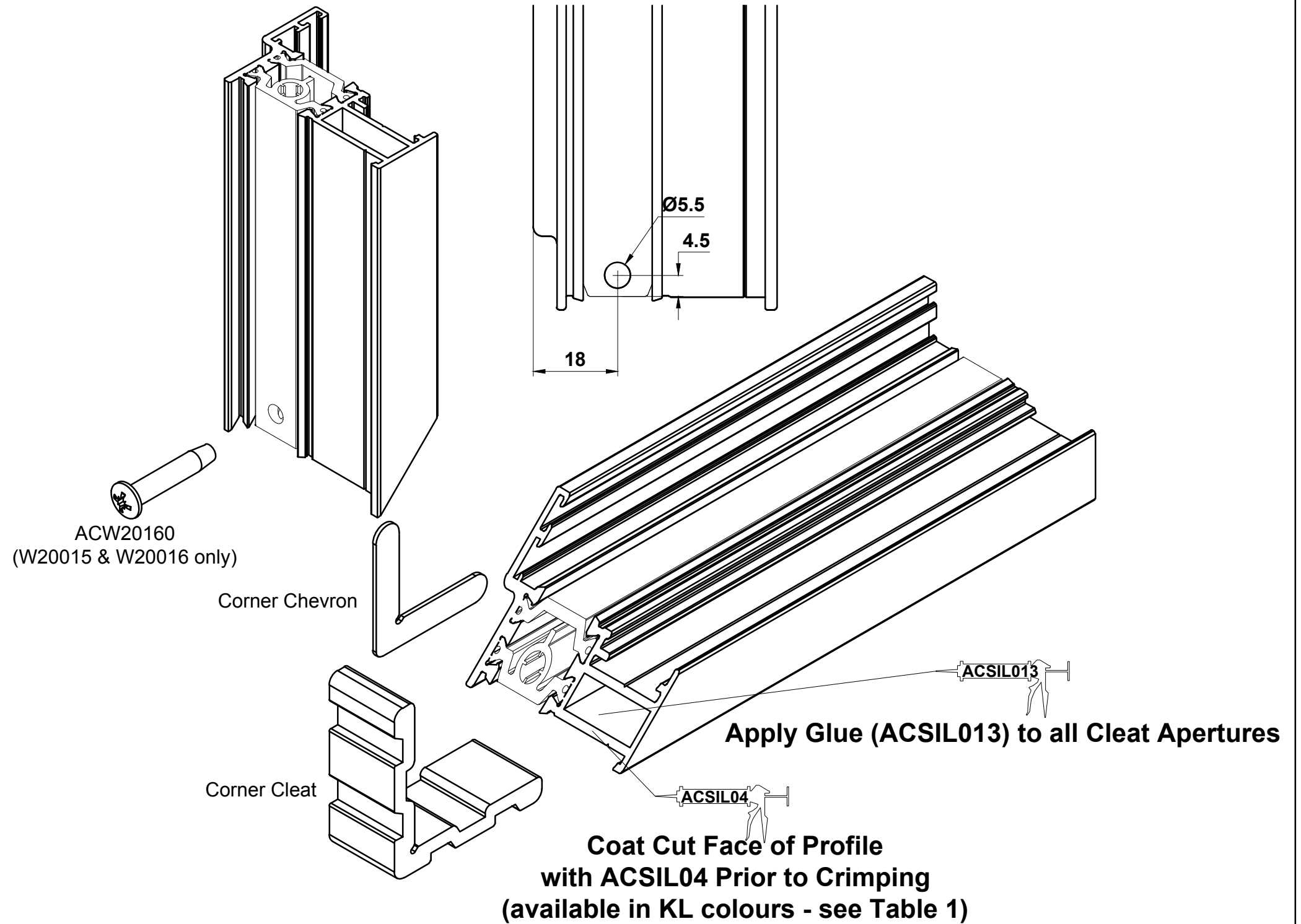
Corner Joint Details

Notes

1. Degrease mitre sections
2. Cover mitred faces with ACSIL04
3. Apply ACSIL013 to cleat chamber
4. Apply ACSIL04 to any fractures formed by crimping to make watertight

Table 1

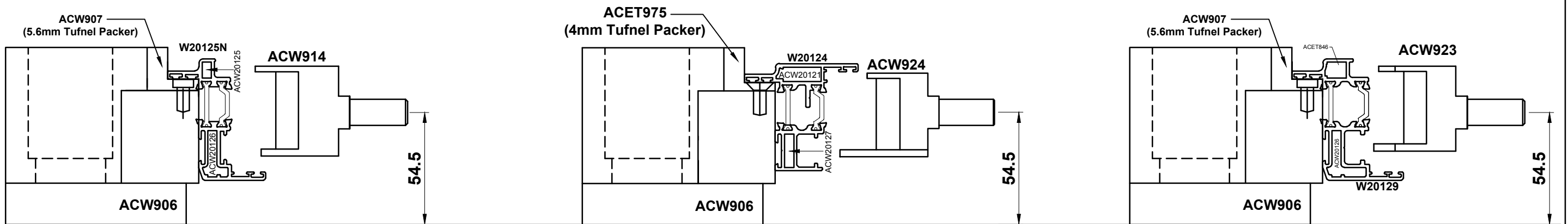
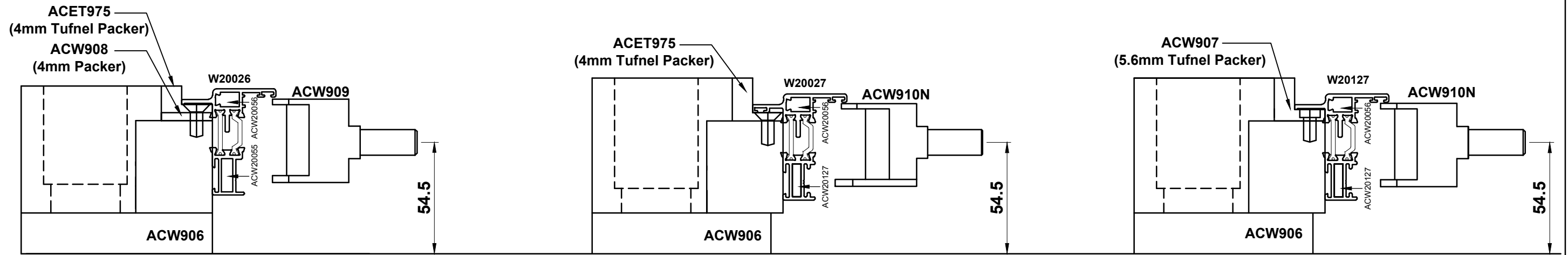
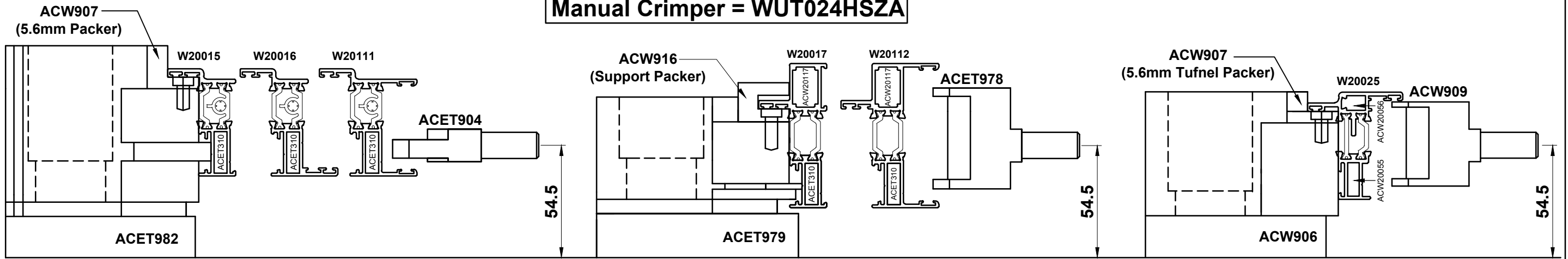
KL Colour	Sealant Part Number
Black	ACSIL04BL
White	ACSIL04WP
Clear	ACSIL04CL
KL001	ACSIL04KL001
KL002	ACSIL04KL002
KL003	ACSIL04KL003
KL004	ACSIL04KL004
KL005	ACSIL04KL005
KL006	ACSIL04KL006
KL007	ACSIL04KL007
KL010	ACSIL04KL010
KL011	ACSIL04KL011
KL012	ACSIL04KL012
KL013	ACSIL04KL013



Do Not Scale From This Drawing

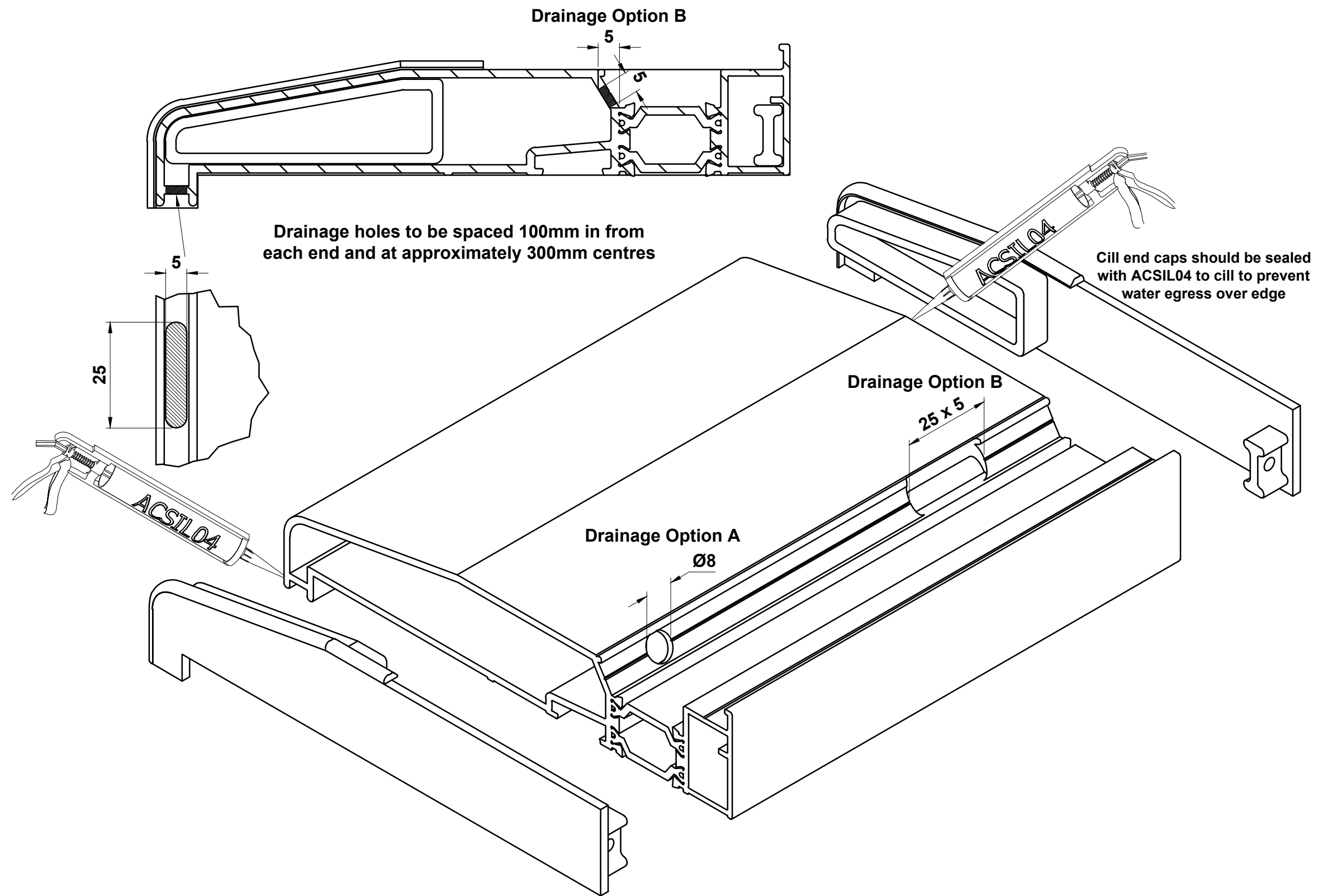
Crimping Details

Manual Crimper = WUT024HSZA



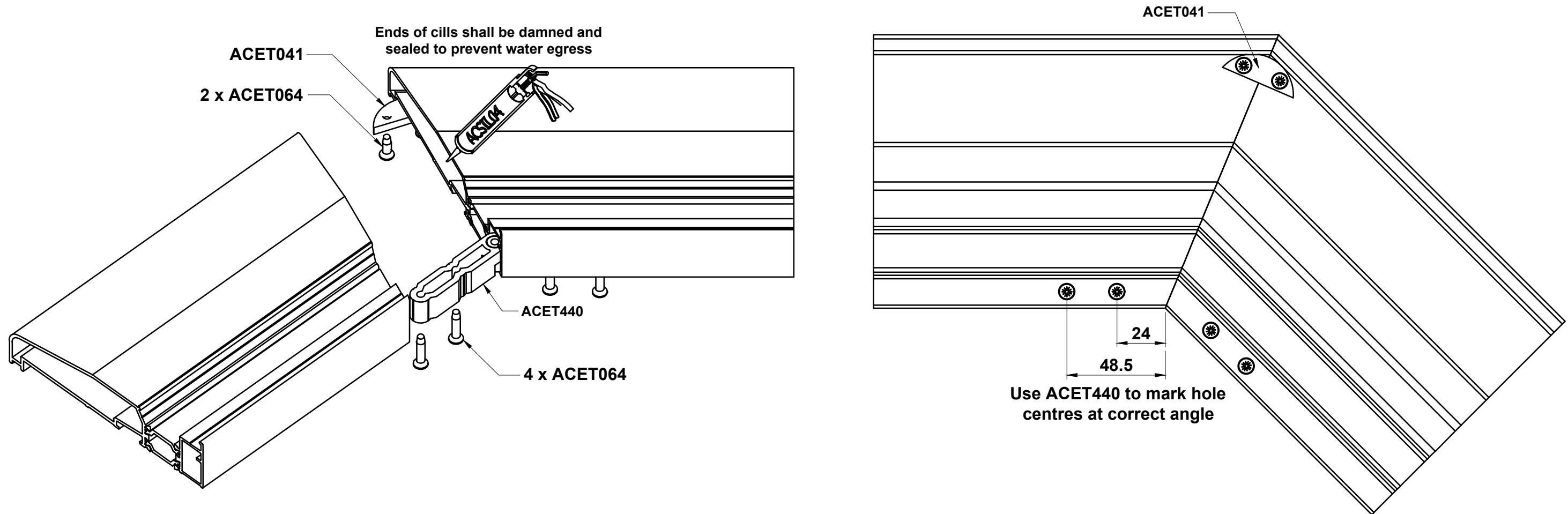
Do Not Scale From This Drawing

Cill Drainage



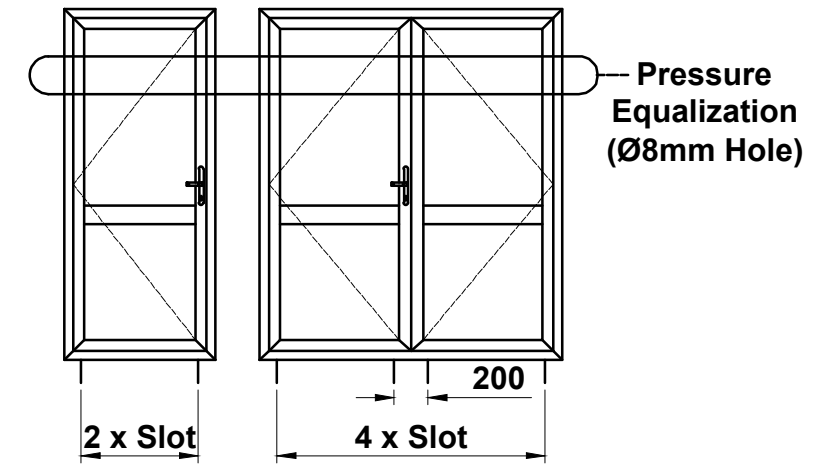
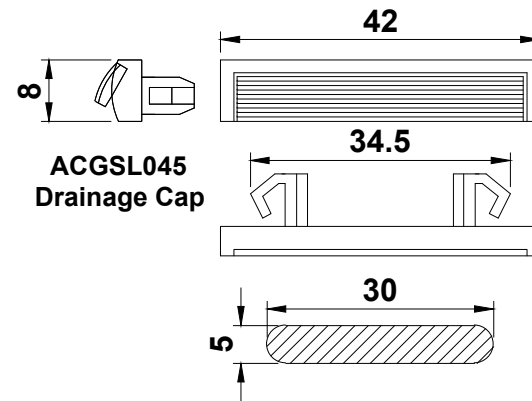
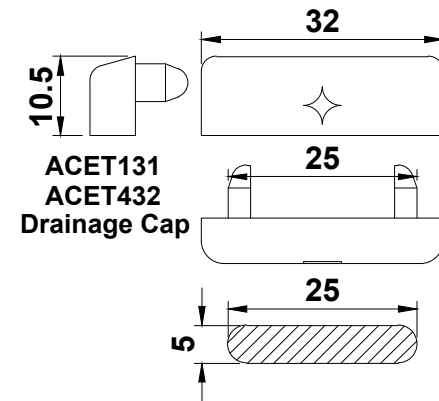
Do Not Scale From This Drawing

Angled Sub Cill

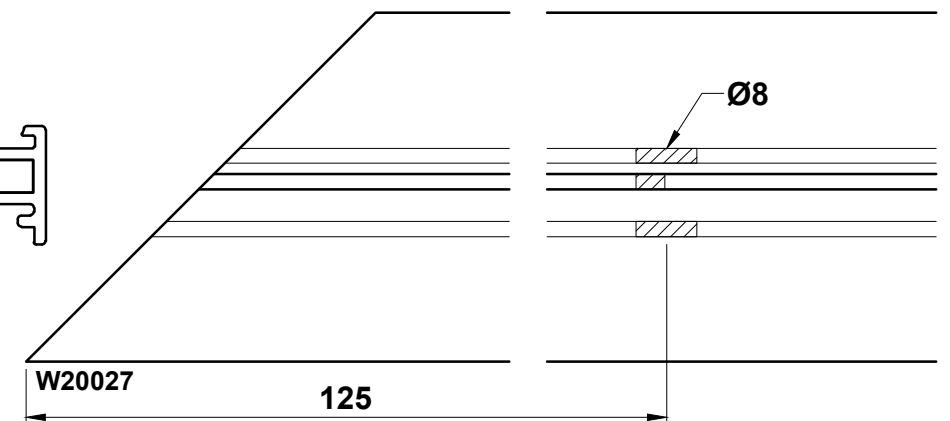
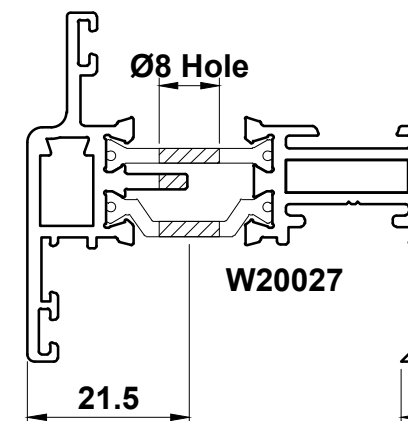
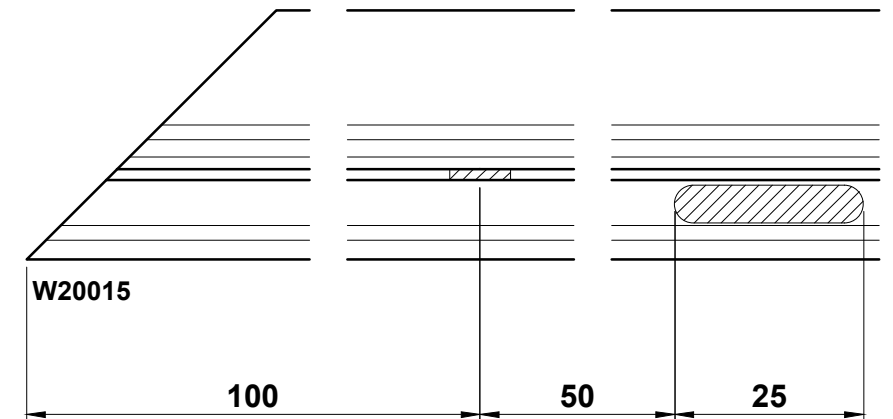
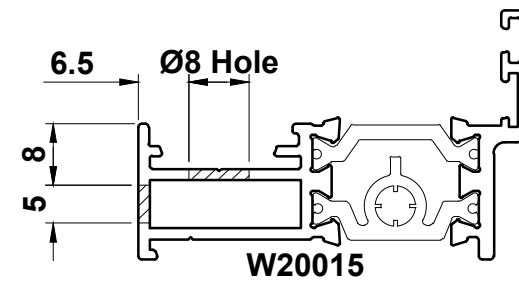
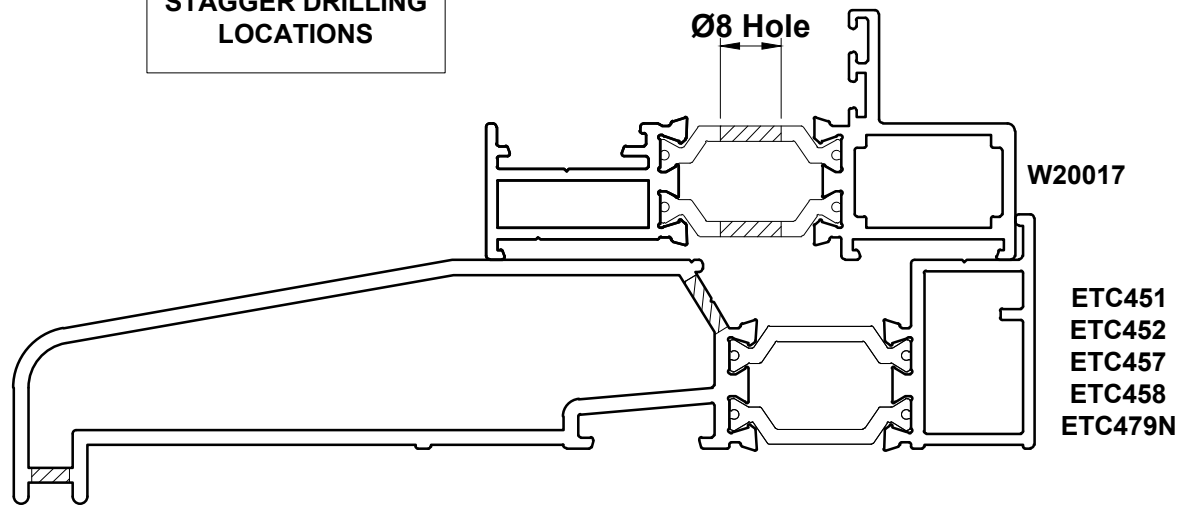


Do Not Scale From This Drawing

W20027 Open Out Door Drainage Detail

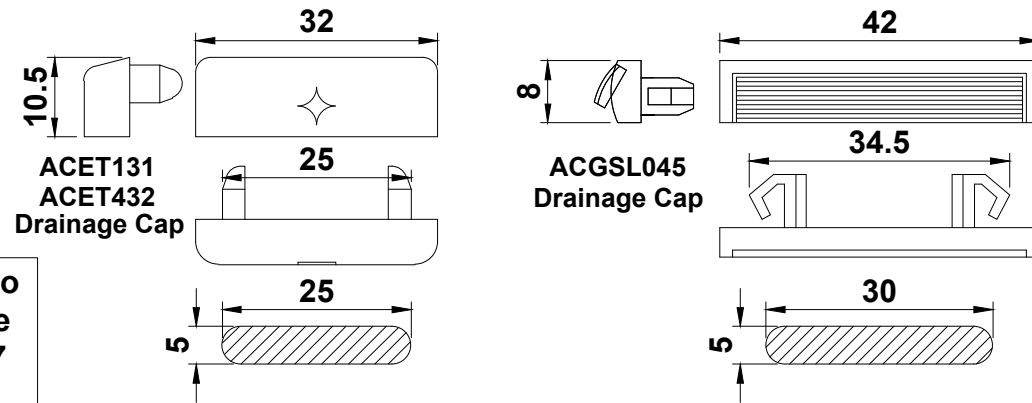


STAGGER DRILLING LOCATIONS

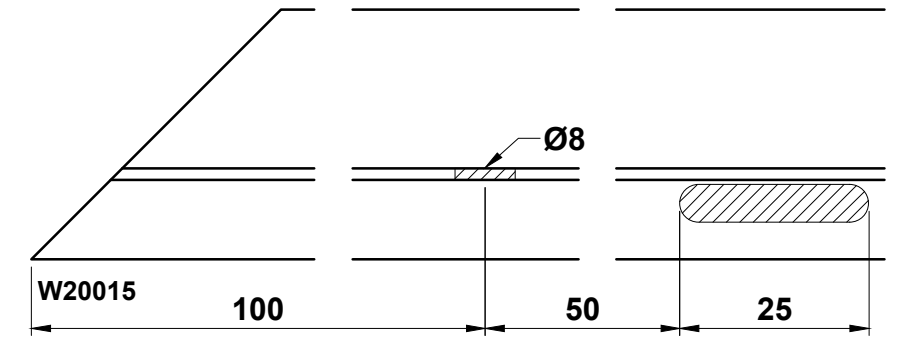
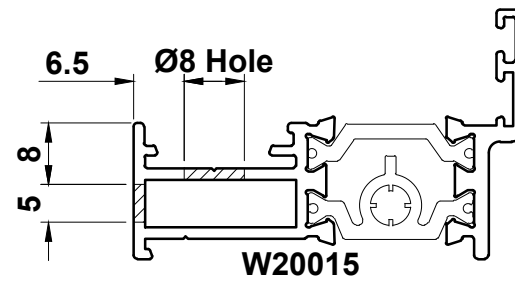
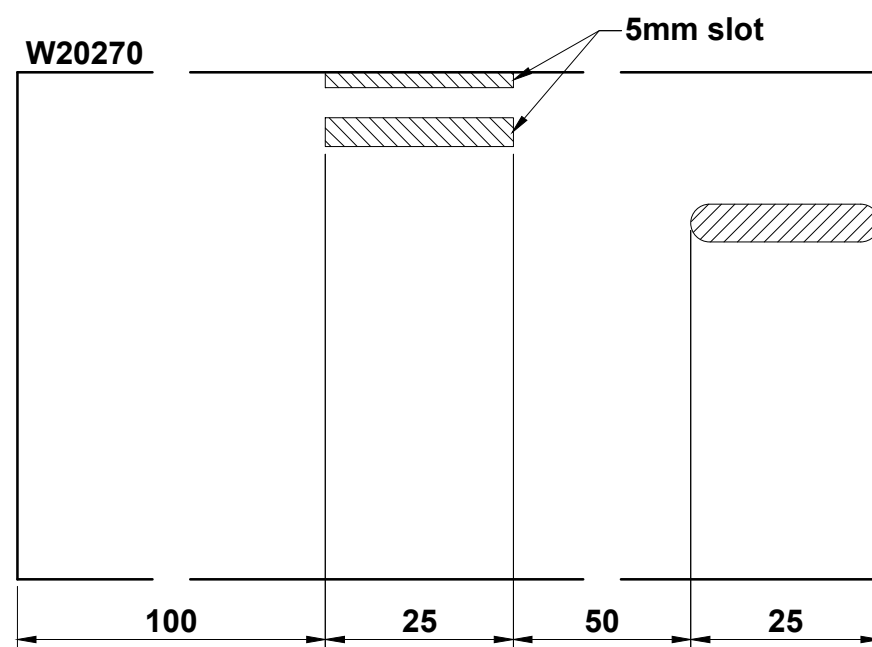
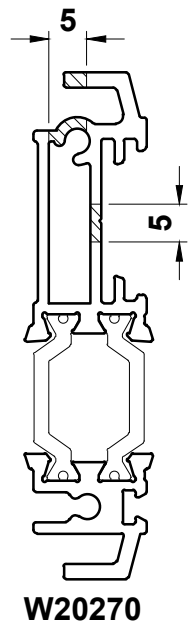
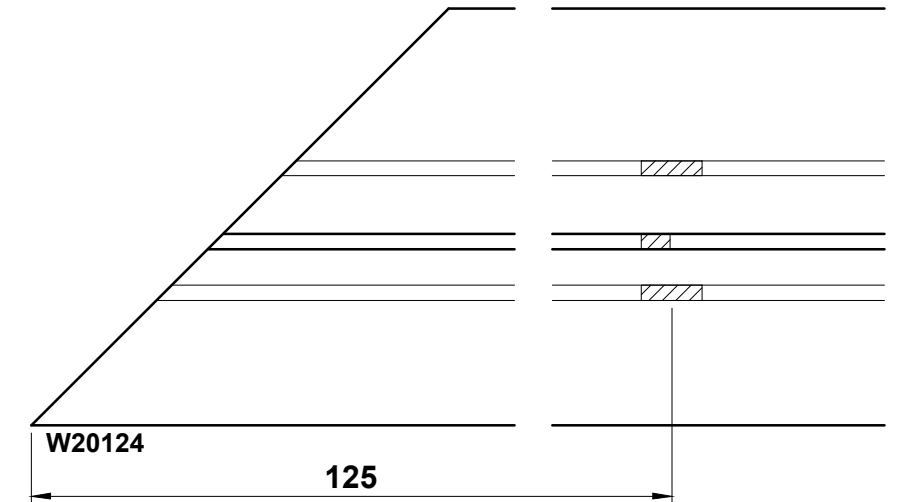
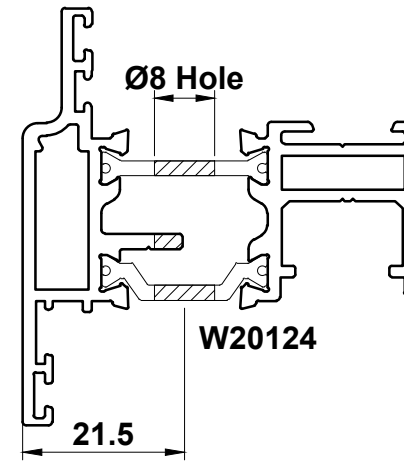
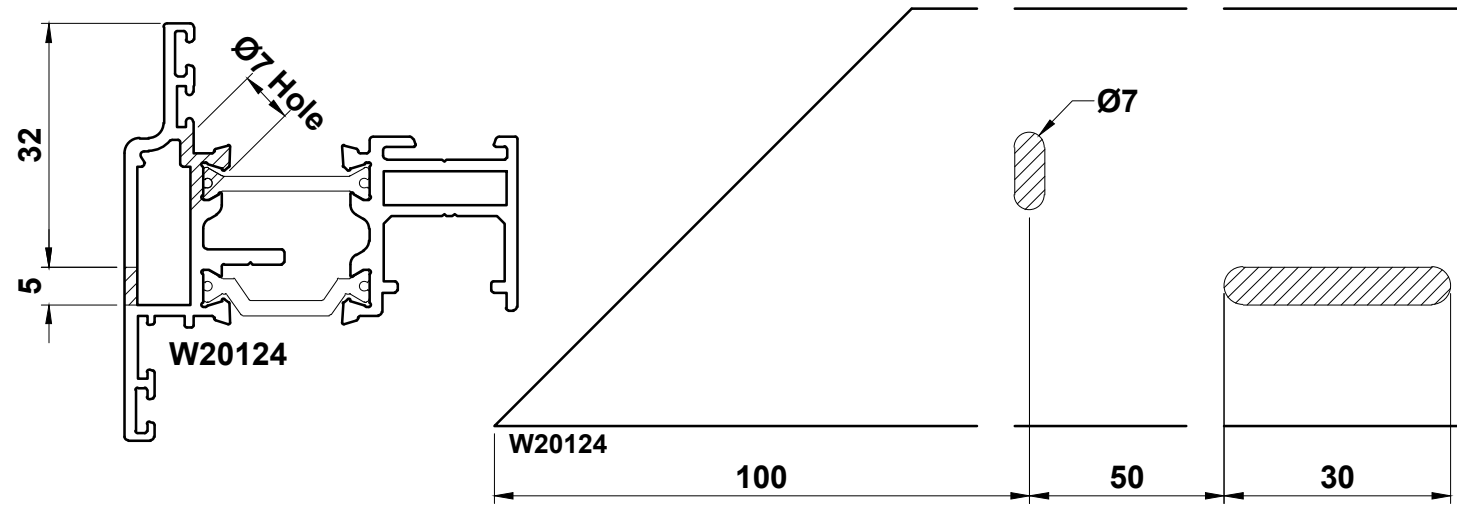
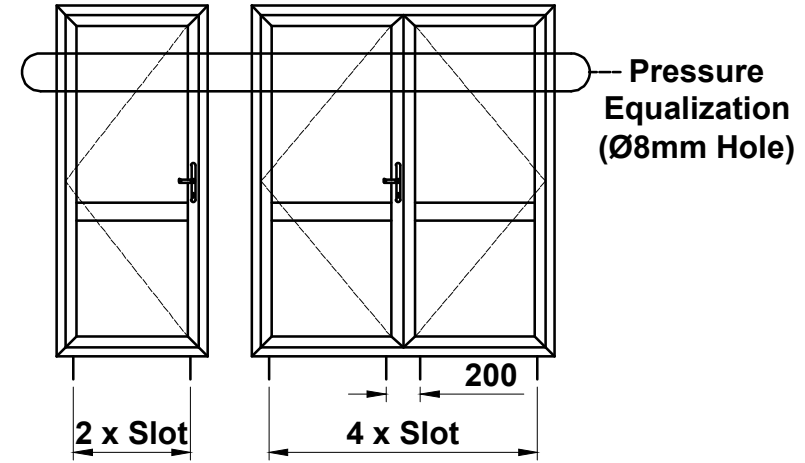


Do Not Scale From This Drawing

W20124 Open Out Door Drainage Detail



Note: Use ACW928 jig to drill 45° angled Ø5 hole and opened up to a Ø7 drainage hole.



Do Not Scale From This Drawing

Single Door Lock Overview

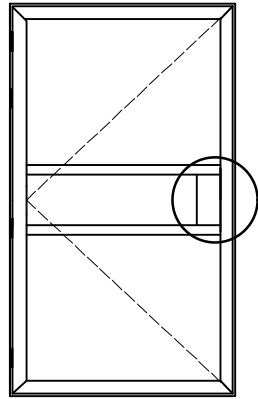
W20027/W20127 Sash

Lock	Accessories	Quantity
<p>ACW20065</p>	<p>ACCY4525NKTTTS3</p>	1
	<p>ACW20066 L/R</p>	1
	<p>ACW20067</p>	4

W20124 Sash (PAS24 Option)

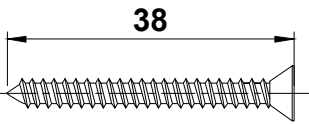
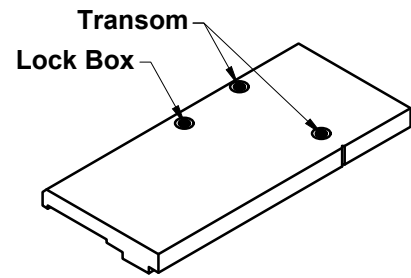
Lock	Accessories	Quantity
<p>ACW20465</p>	<p>ACCY4525NKTTTS3</p>	1
	<p>ACW20066 L/R</p>	1
	<p>ACW20367</p>	4

W20027 Open Out Door Lock Preparation



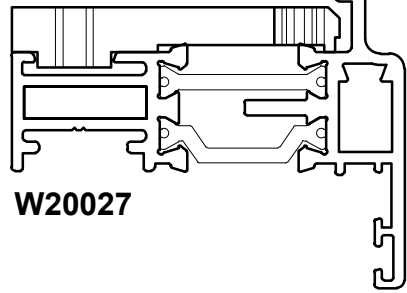
Drill Jig = ACW925/ACW927

Jig **MUST** be clamped in position before drilling



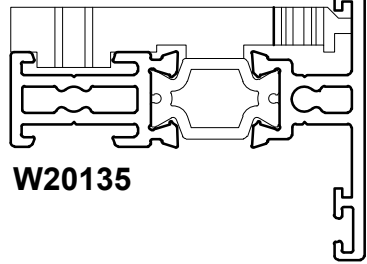
Use ACET066 screw to secure transoms/mullions

ACW925

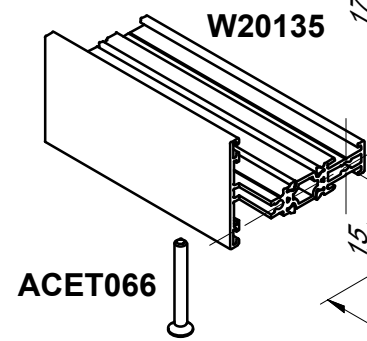
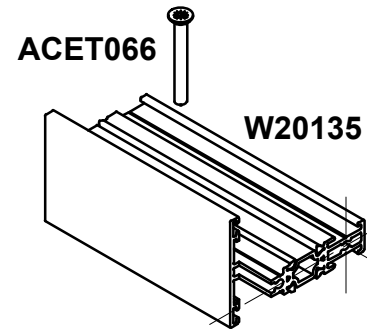


W20027

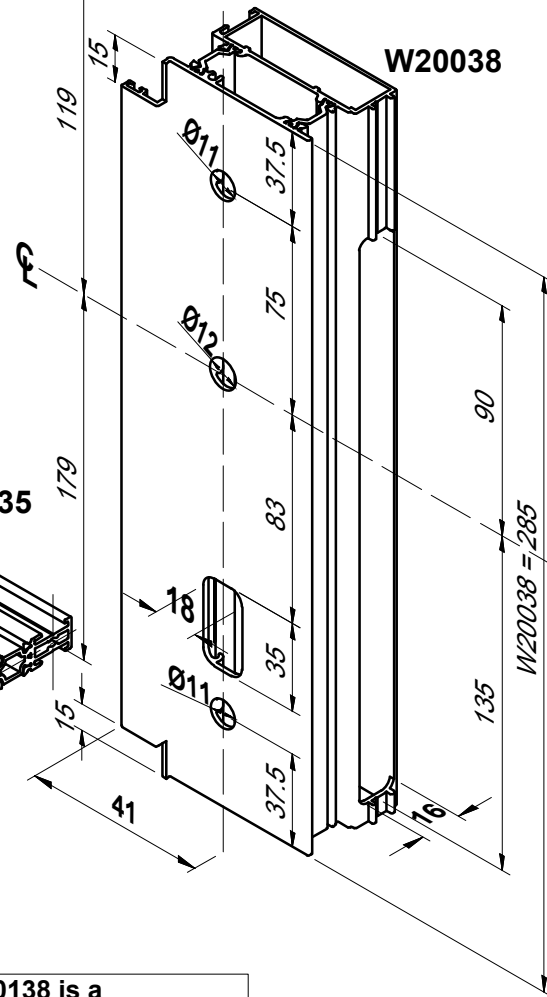
ACW927



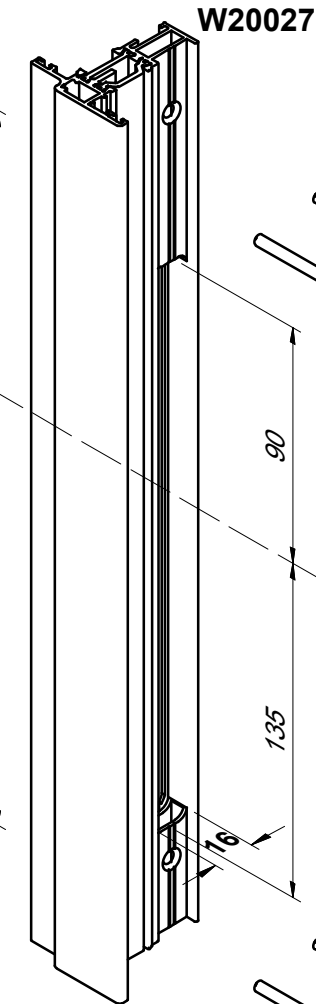
W20135



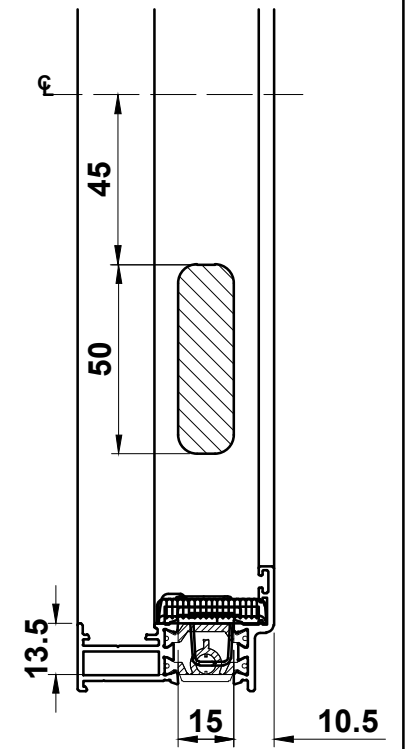
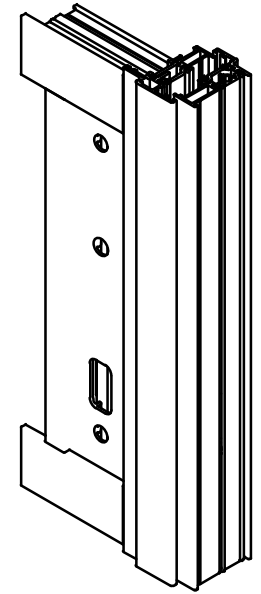
Note: W20135 and W20038 to be end milled as shown



Note: ACW20138 is a pre-prepped version of W20038. See section B for details.

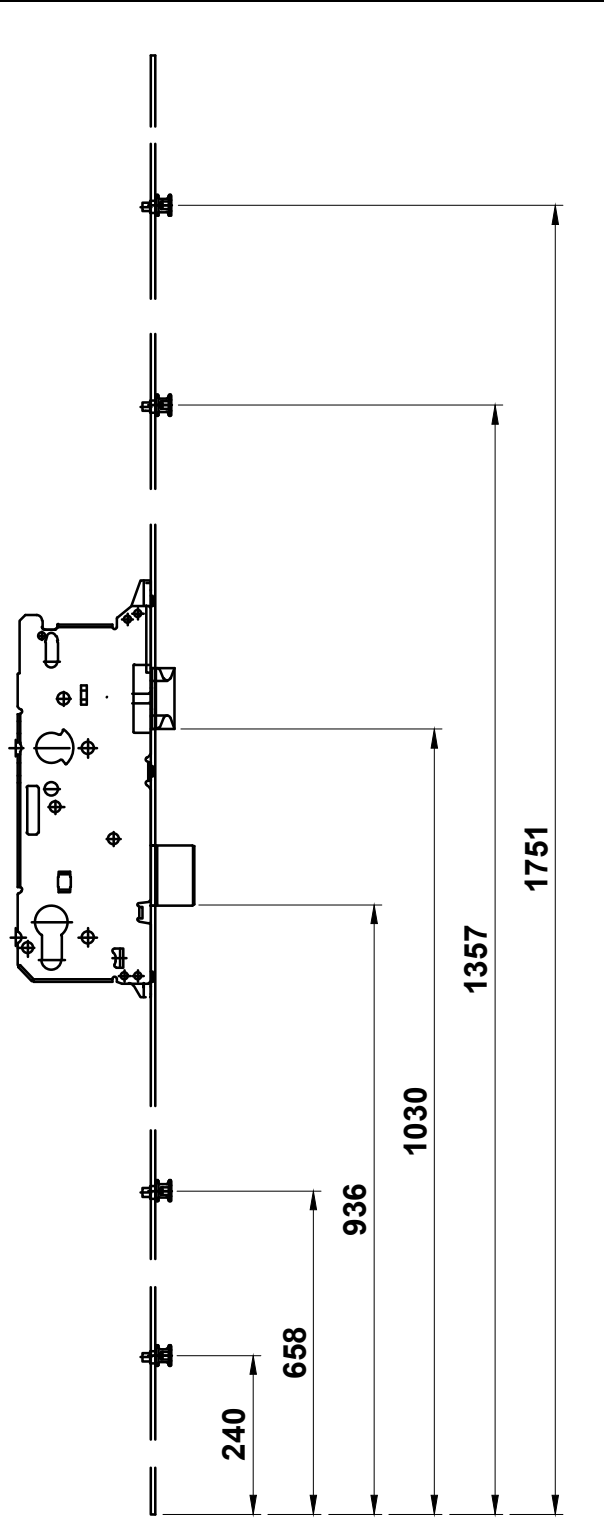


2 X ACET066

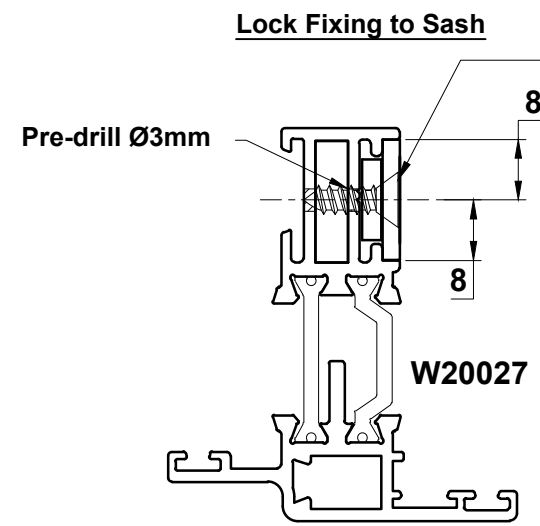


Do Not Scale From This Drawing

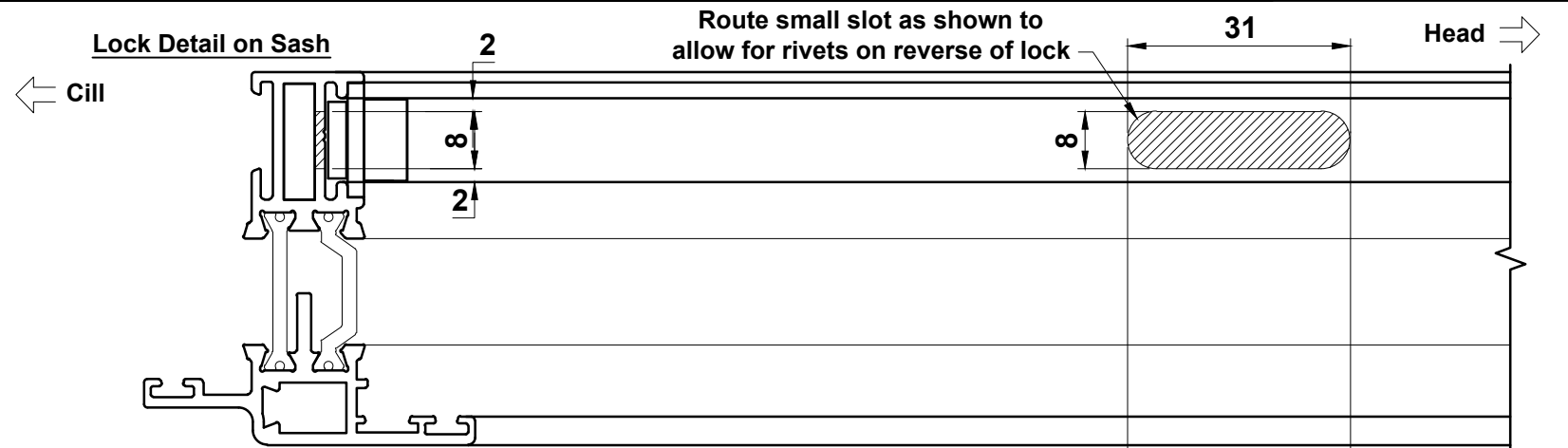
W20027 Open Out Door Lock Preparation Continued



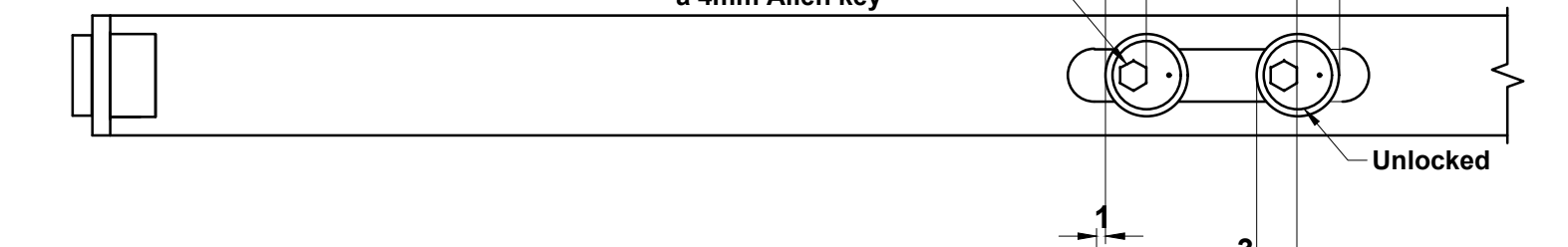
Locking Positions (in unlocked position)



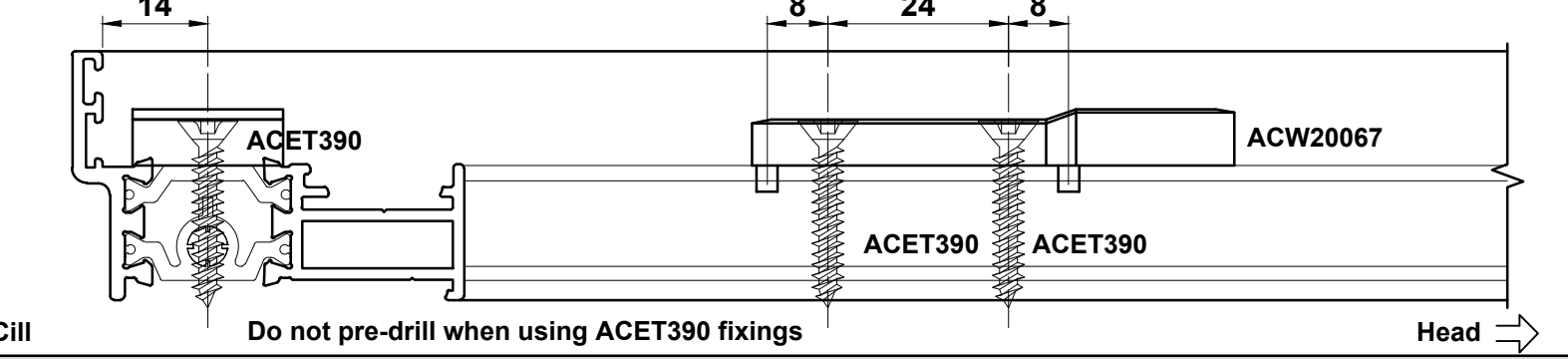
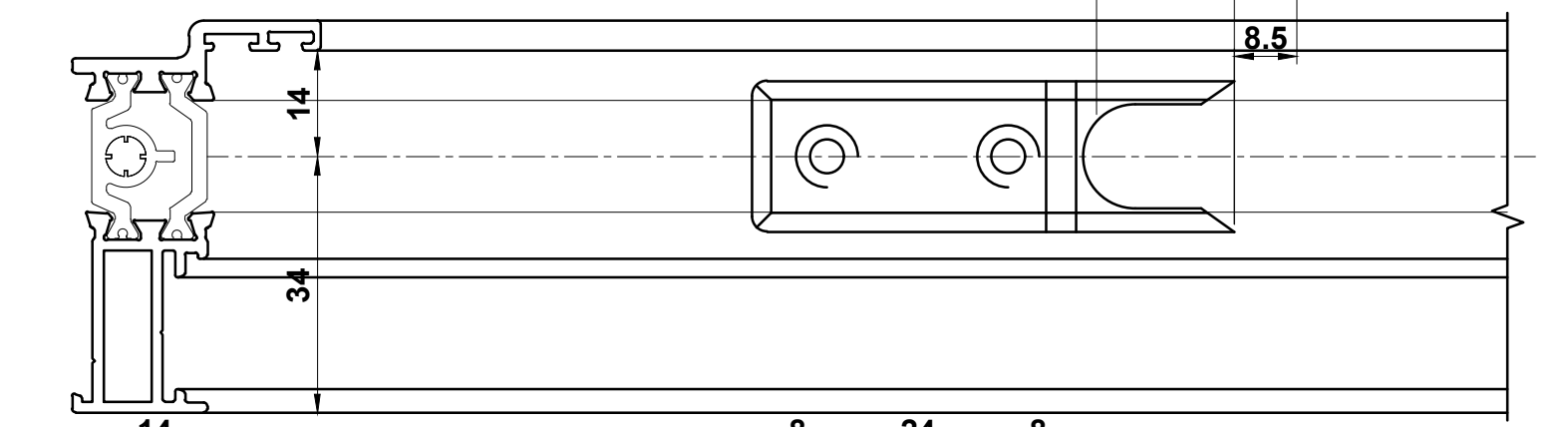
ACET067
(15 per lock)



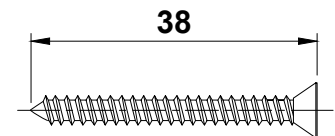
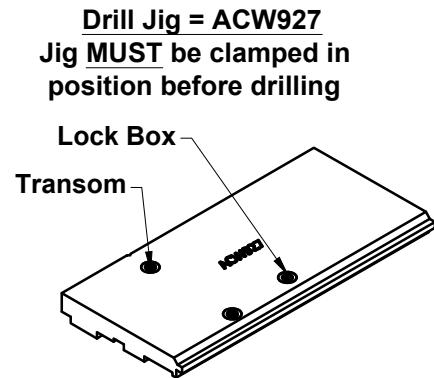
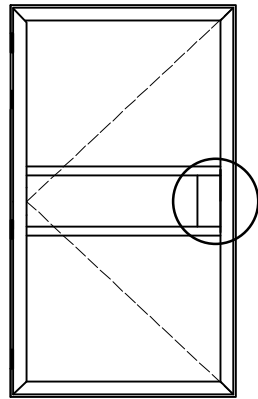
Lock Detail



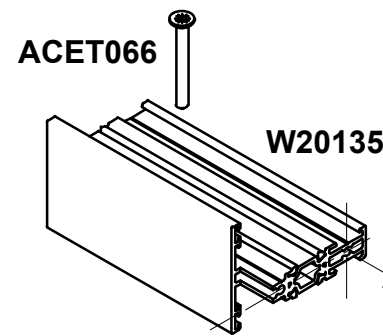
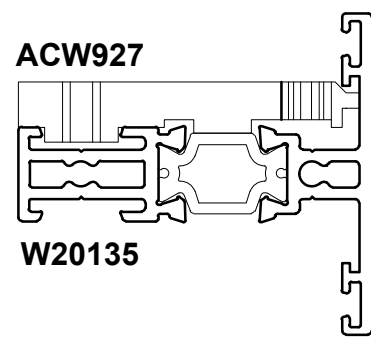
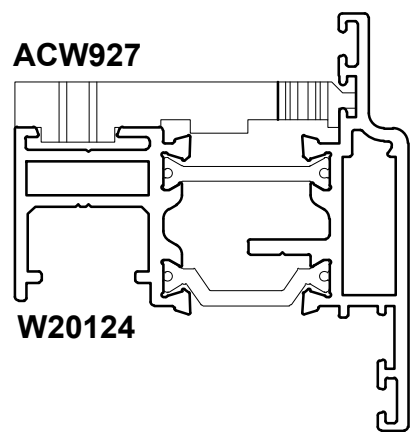
Keep Position



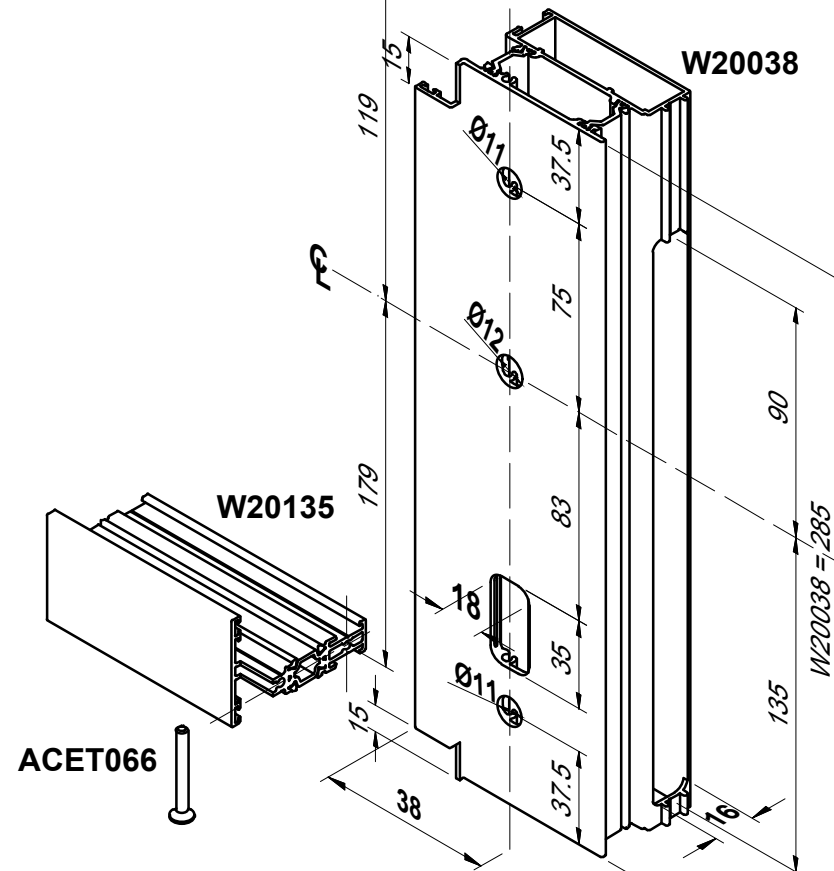
W20124 Open Out Door Lock Preparation (PAS24 Option)



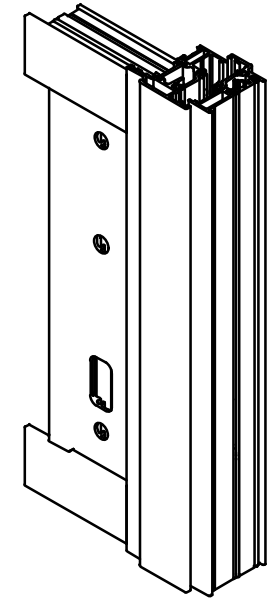
Use ACET066 screw to secure transoms/mullions



Note: W20135 and W20038 to be end milled as shown



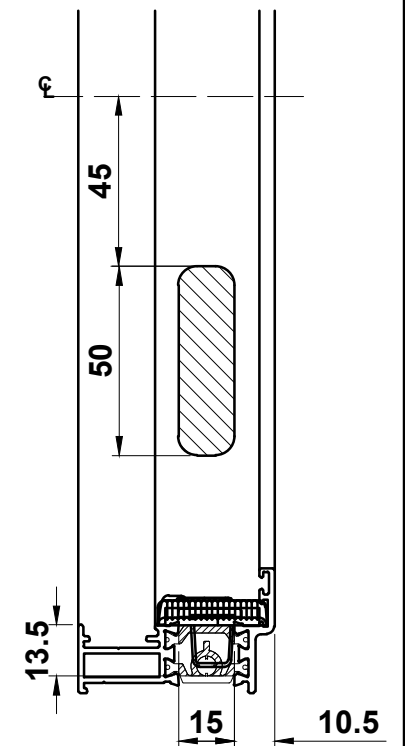
Note: ACW20140 is a pre-prepped version of W20038. See section B for details.



W20124

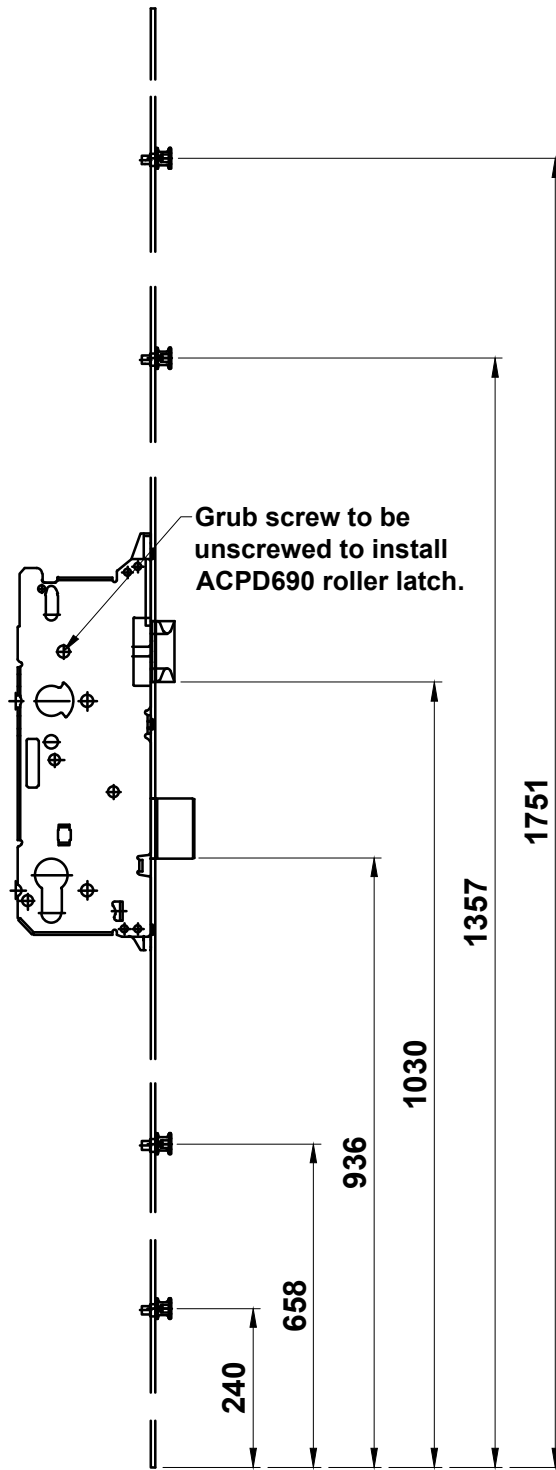
2 X ACET066

2 X ACET066



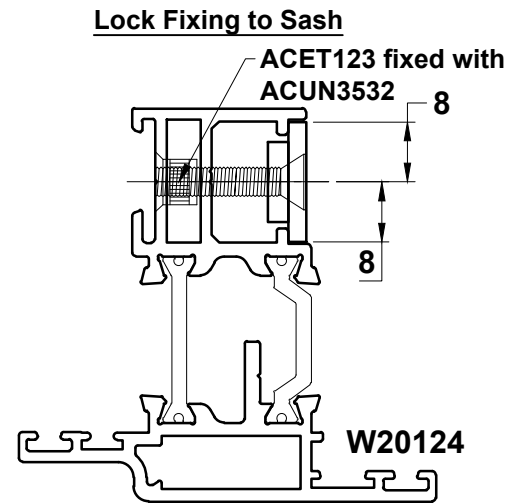
Do Not Scale From This Drawing

W20124 Open Out Door Lock Preparation (PAS24 Option) Continued



Locking Positions (in unlocked position)

Grub screw to be unscrewed to install ACPD690 roller latch.

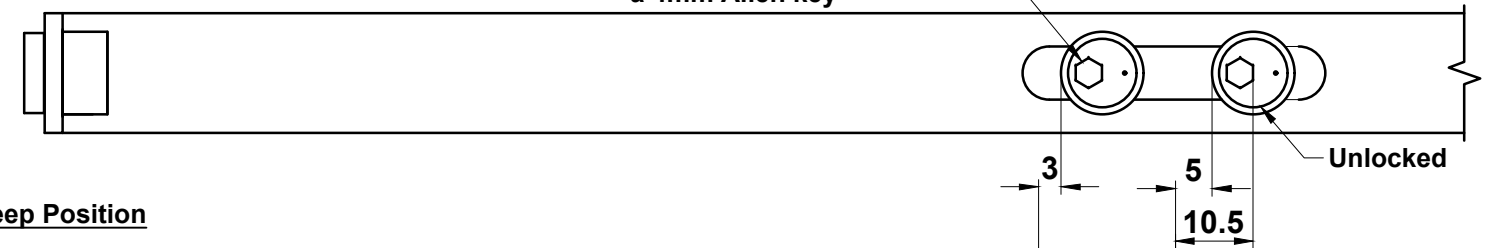


← Cill

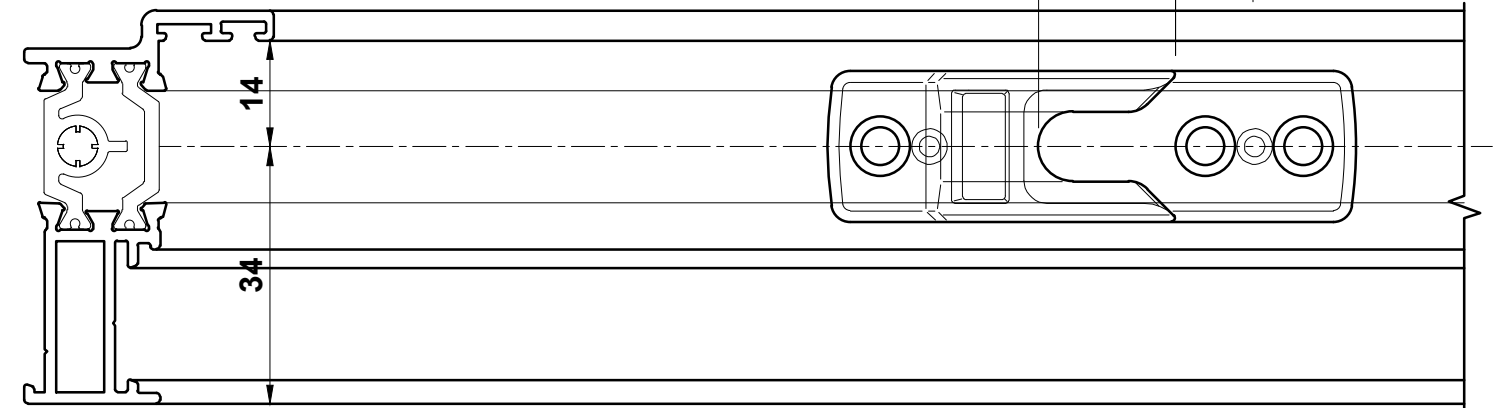
Head →

Lock Detail

Adjust compression as required using a 4mm Allen key

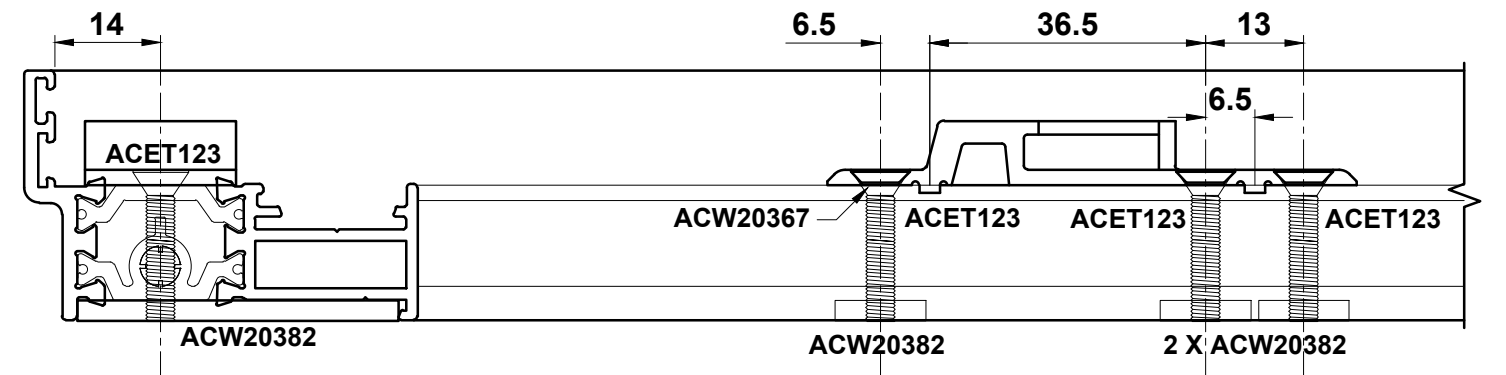


Keep Position



← Cill

Head →



Double Door Lock Overview

W20027 Sash

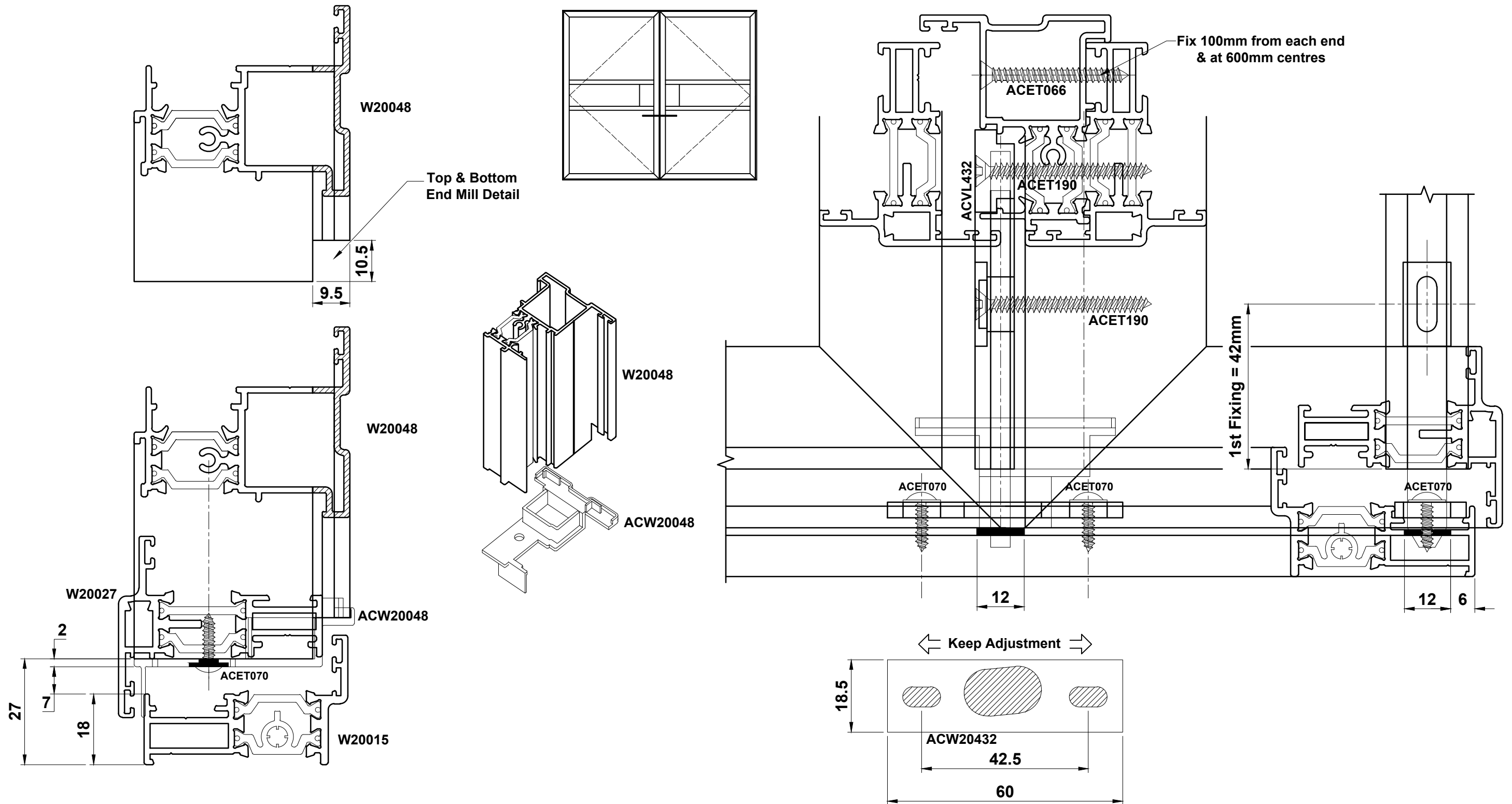
Lock	Accessories	Quantity
<p>ACW20065</p>	<p>ACCY4525NKTTTS3</p>	1
	<p>ACVL432</p>	2
	<p>ACW20066 L/R</p>	1
	<p>ACW20067</p>	4
	<p>ACW20432</p>	2

W20124 Sash (PAS24 Option)

Lock	Accessories	Quantity
<p>ACW20465</p>	<p>ACW20466</p>	1
	<p>ACCY4525NKTTTS3</p>	1
	<p>ACDV737/ACDV738</p>	2 / 2
	<p>ACW20066 L/R</p>	1
	<p>ACW20367</p>	4
	<p>ACW20437</p>	2

Do Not Scale From This Drawing

Open Out Double Door using W20048



Do Not Scale From This Drawing

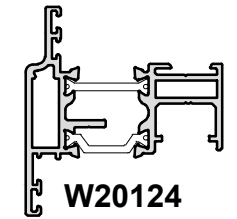
W20124 Open Out Lock Selection with Shootbolts (PAS24 Option)

Door Height Range: 1830-2040mm

Door Height Range: 2030-2235mm

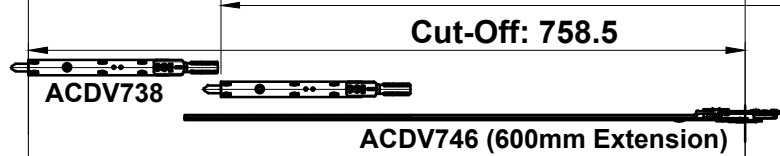
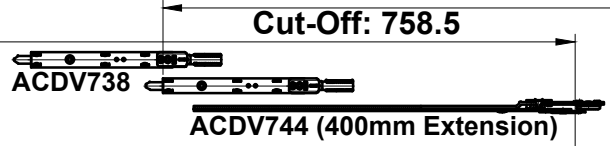
Door Height Range: 2080-2235mm

Important Note:
Sash height is limited to 2100mm high.
Please see Page A04 for all door limits.

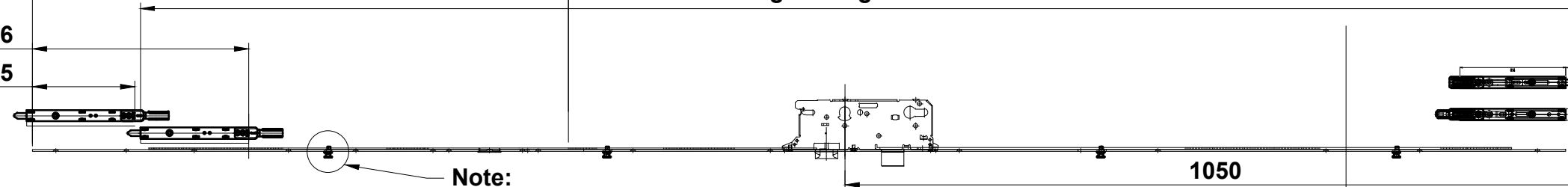


W20124

Primary Lock
ACW20465



Cut-Off: 306
Cut-Off: 145



Note:
Doors below 2076mm require the lock to be cut below the top locking cam as shown.

TOP

BOTTOM

1881

1906

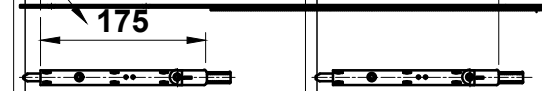
2215

Min Cut Off In Opening Position**

Max Cut Off In Opening Position
485

Max Cut Off In Opening Position**

Secondary Lock
ACW20466



267

Handle Height with Shootbolt = 1050

Min sash size with handle height at 1050mm = 1881

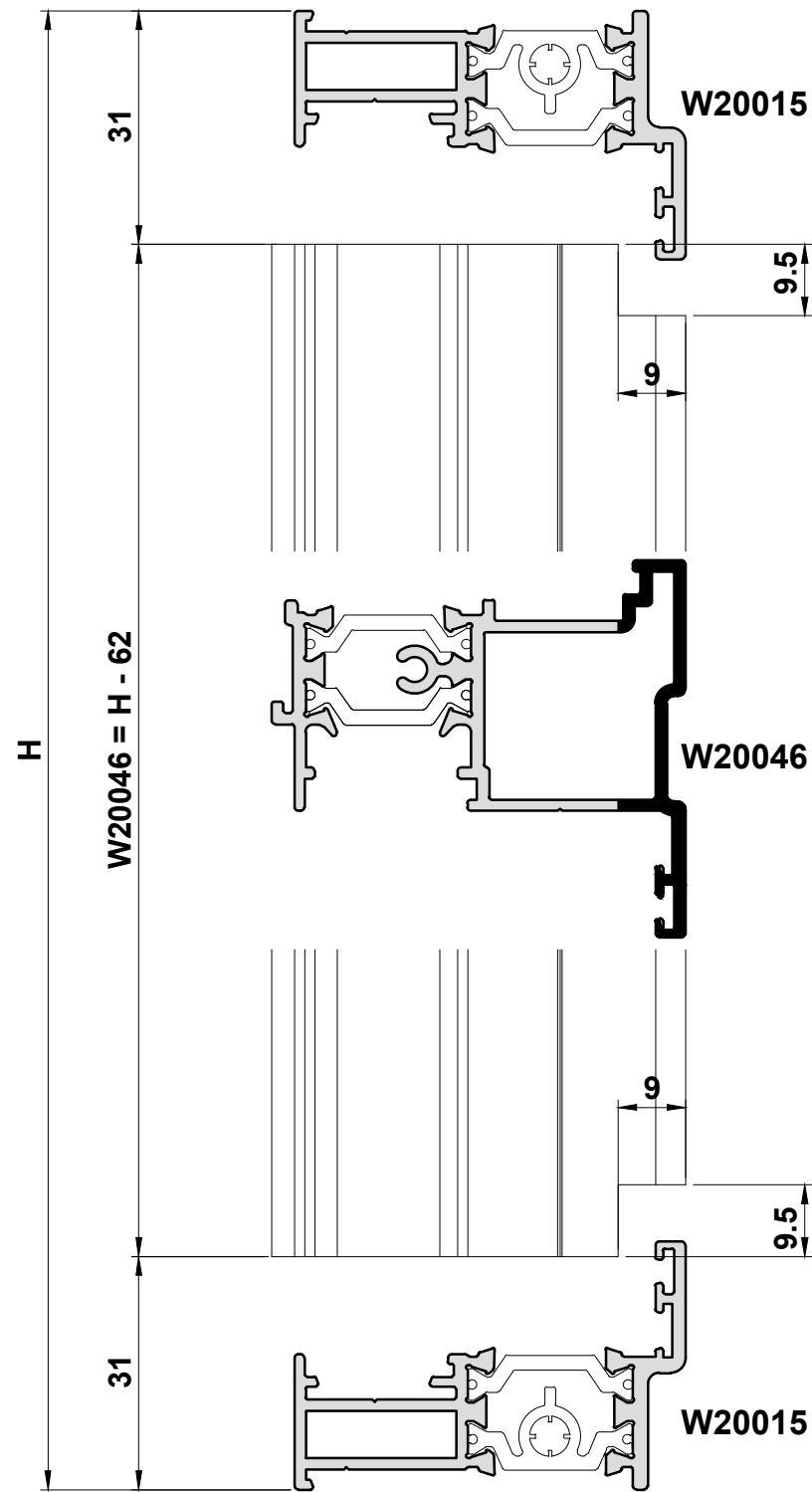
Max sash size with handle height at 1050mm = 2190 (without extension)

12.5

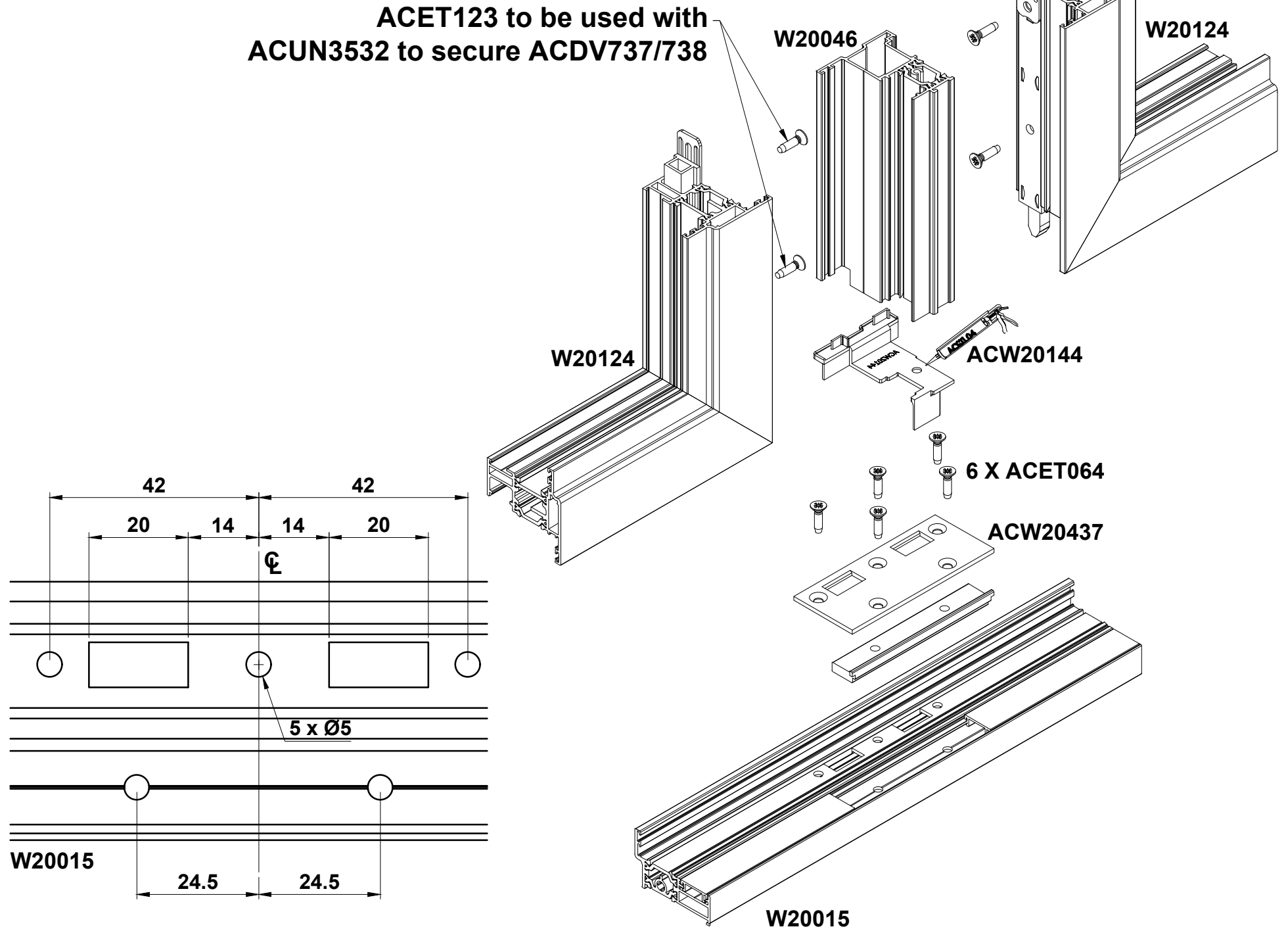
12.5

Do Not Scale From This Drawing

Open Out Double Door Standard Threshold Using W20046 (PAS24 Option)



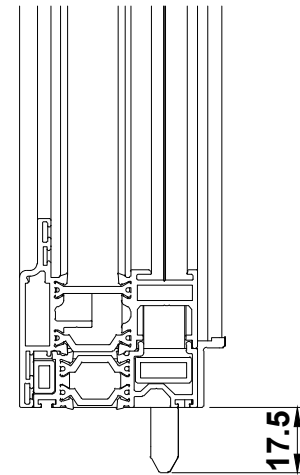
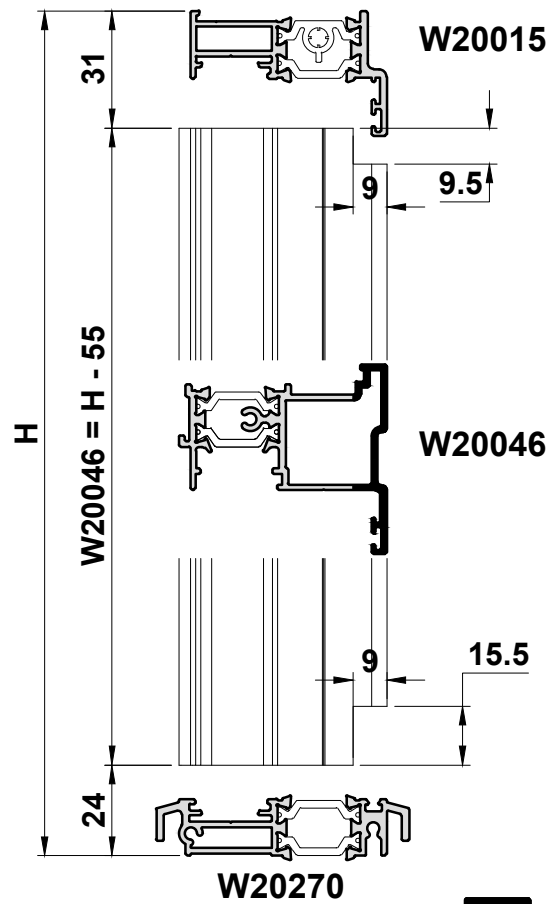
ACET123 to be used with
ACUN3532 to secure ACDV737/738



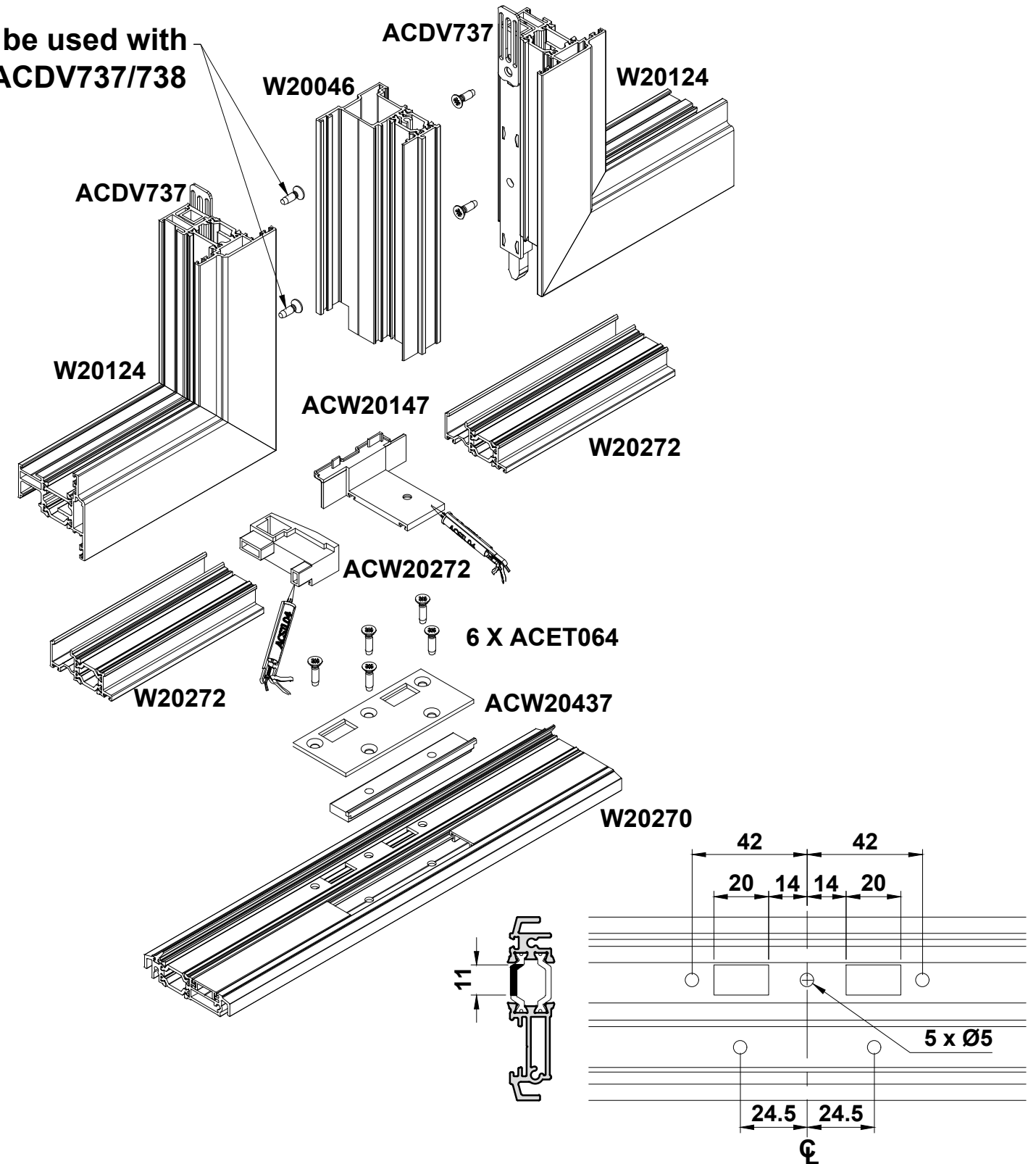
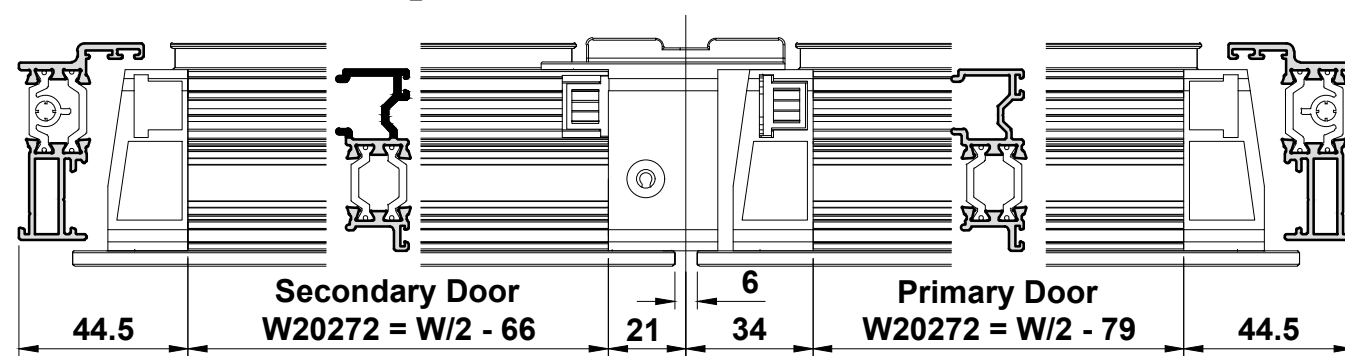
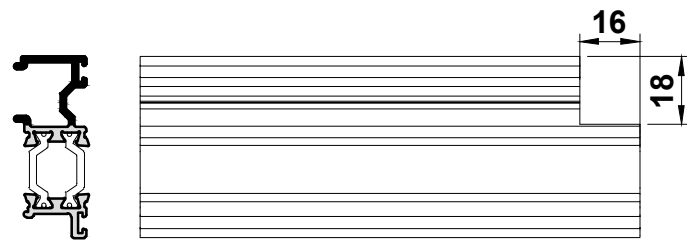
Do Not Scale From This Drawing

Open Out Double Door Low Threshold Using W20046 (PAS24 Option)

ACET123 to be used with
ACUN3532 to secure ACDV737/738

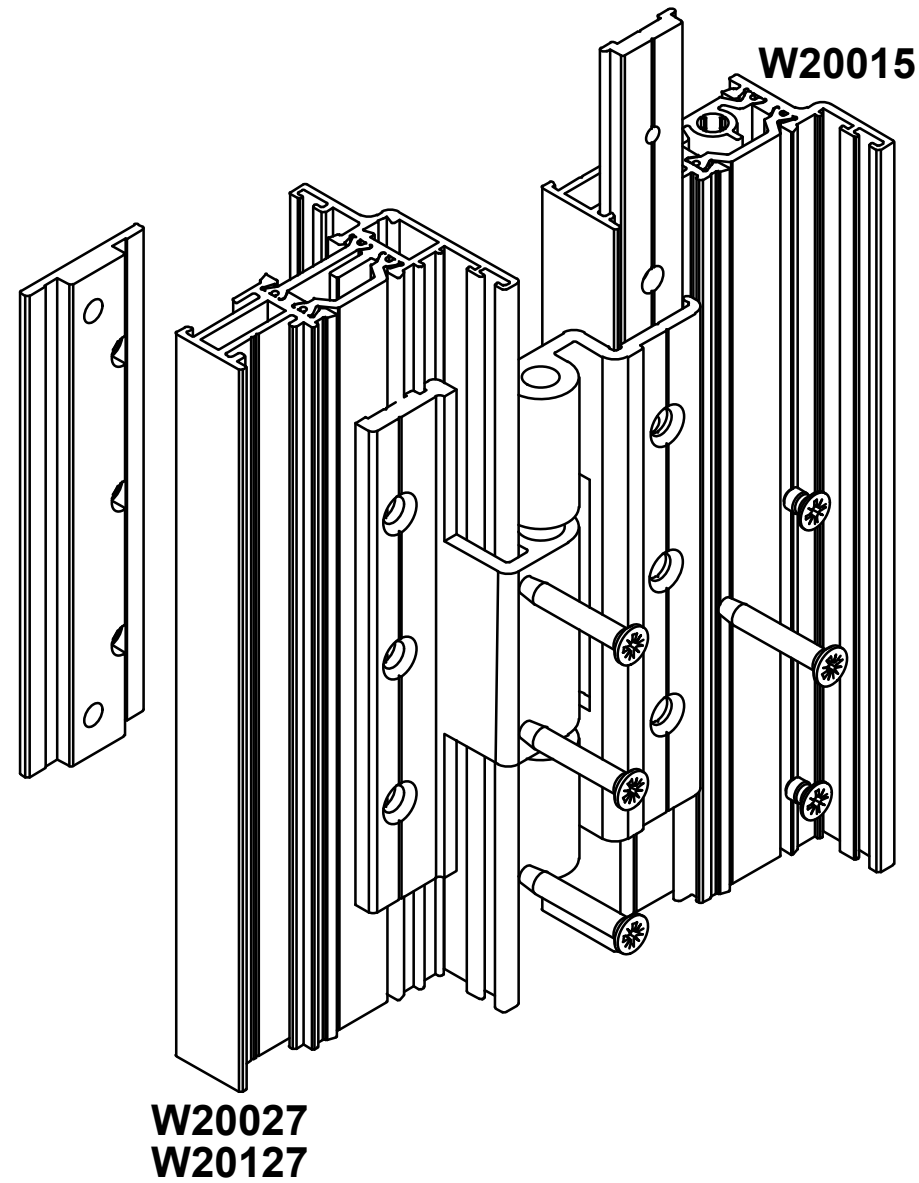
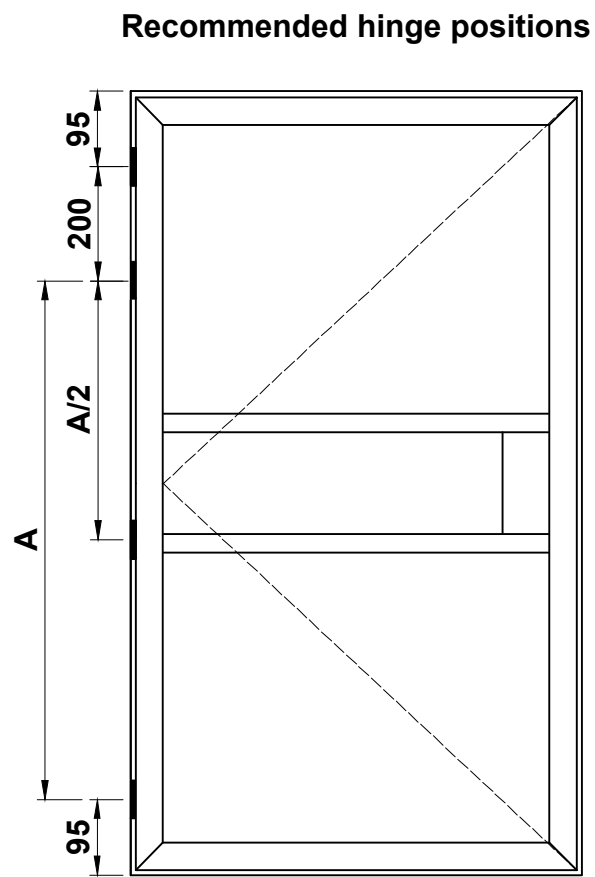


Note: Bottom of ACDV737 to align
with the underside of ACW20272
for sufficient locking.



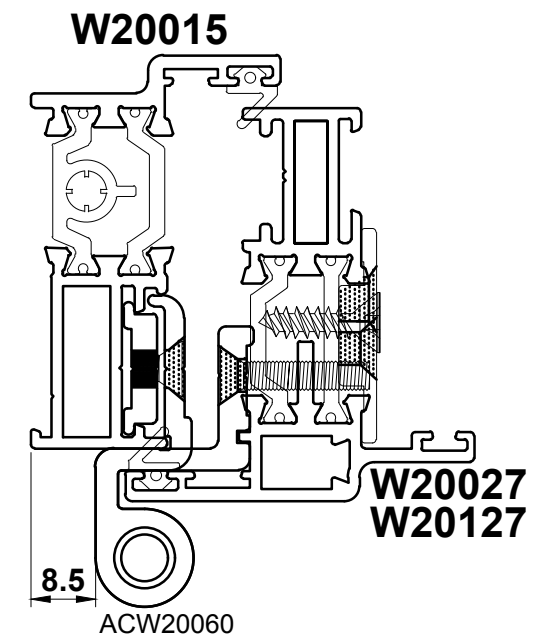
Do Not Scale From This Drawing

W20027 Open Out Door Hinge Details



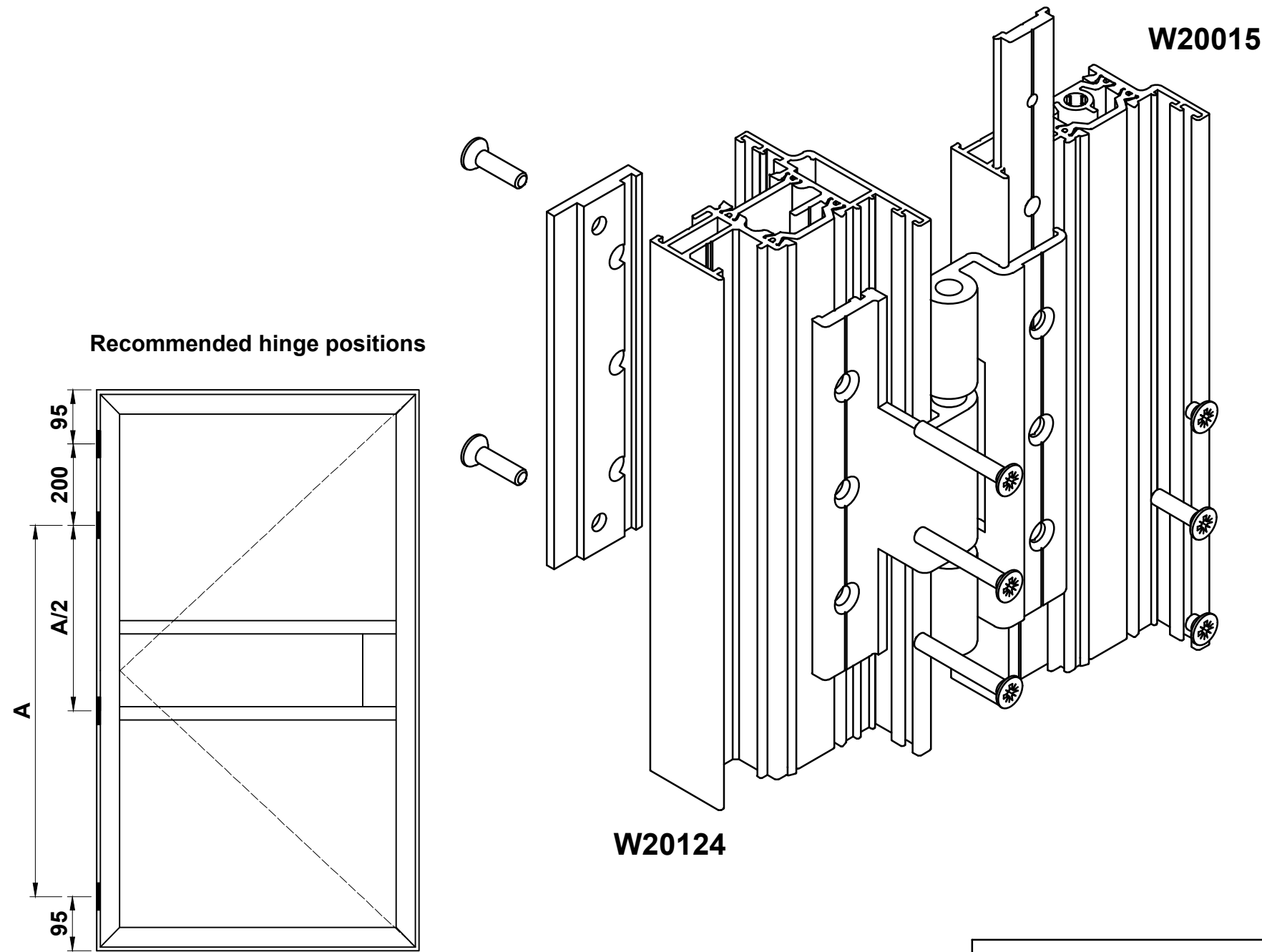
Assembly Instructions

1. Slide Hinge Backplates into outerframe prior to crimping.
2. Locate each hinge and clamp in position using 2No. M4 x 6mm Countersunk screws - supplied with ACW20060.
3. Use the hinge to mark the hole positions in the sash and drill Ø7mm clearance holes for the machine screws. Fasten hinge through the sash to the backplate with 3No. M4 x 20mm (W20027 & W20127) Countersunk Screws - supplied with ACW20060. The backplate may need to be tapped in position using a mallet and then secured using ACET490 screws.
4. Once the sash requires no further adjustment, fix the outerframe half of the hinge with the No.8 x 16mm Pozi Csk Self Tapping screw supplied



Do Not Scale From This Drawing

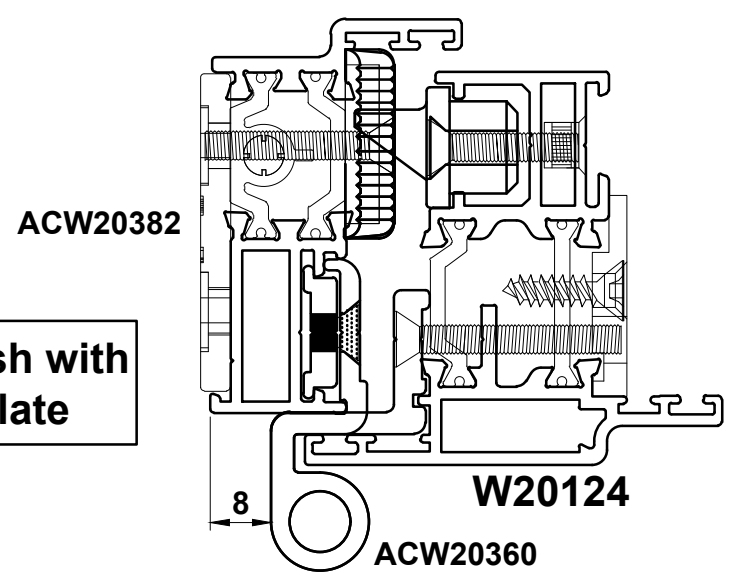
W20124 Open Out Door Hinge Details (PAS24 Option)



Assembly Instructions

1. Slide hinge back plates into W20015 and W20124 before crimping.
2. Use the hinge to park the hole positions on W20124. Drill a 4.5mm clearance holes for M4 CSK machine screws. Fasten hinges to W20124 with M4 machine screws into back plate.
3. Fit W20124 into W20015 then fasten hinge to outer frame fixing hinges to W20015 frame back plates.
4. Once W20124 requires no further adjustment fix through center hinge hole to dead fix.

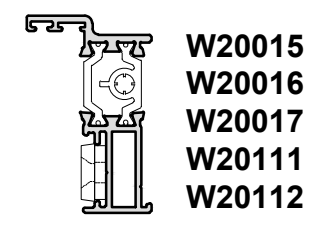
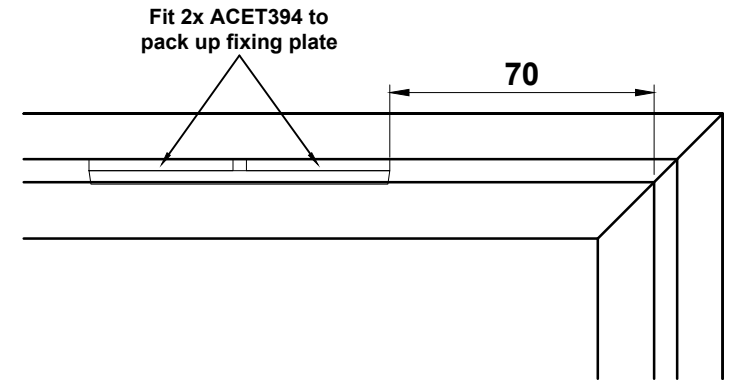
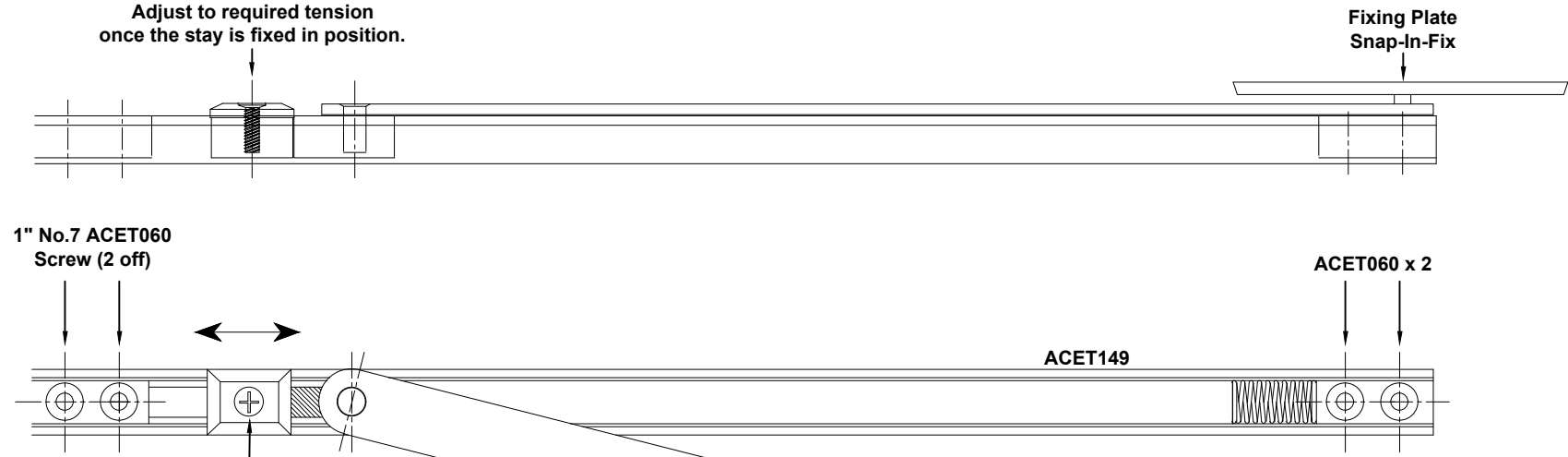
Note: Coupler will clash with ACW20382 fixing plate



Do Not Scale From This Drawing

Open Out 90° Restrictor Installation

Ensure friction screw is loose before fitting stay to door. Adjust to required tension once the stay is fixed in position.



1" No.7 ACET060 Screw (2 off)

Friction Screw

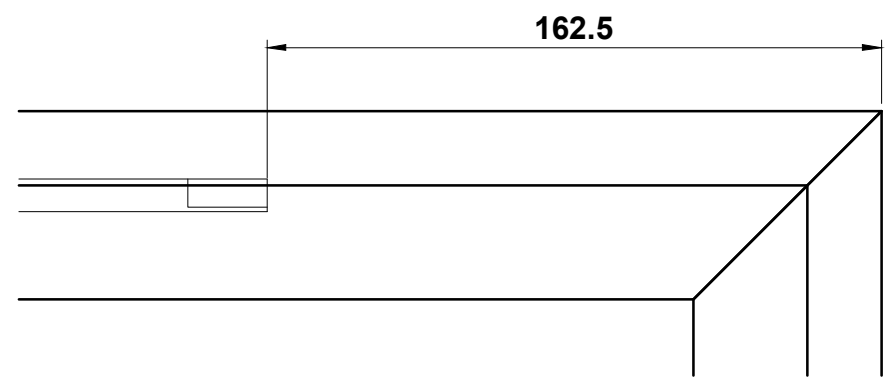
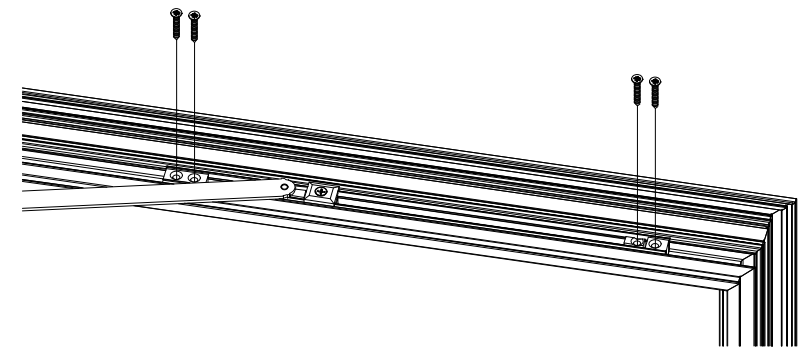
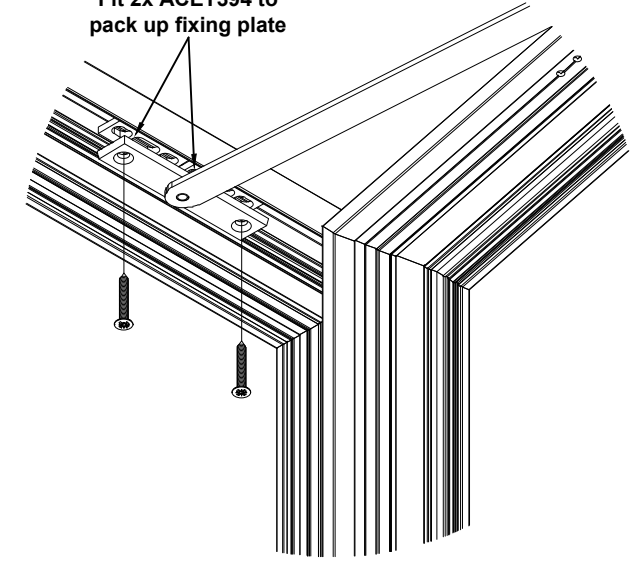
ACET060 x 2

Identification Registration

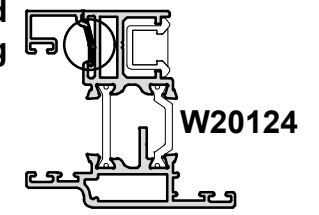
Fixing Plate Snap-in-fix

ACET060 x 2

Fit 2x ACET394 to pack up fixing plate



Bead to be notched around fixing



NOTE: ACET149 IS NOT COMPATIBLE WITH W20027 AND W20127

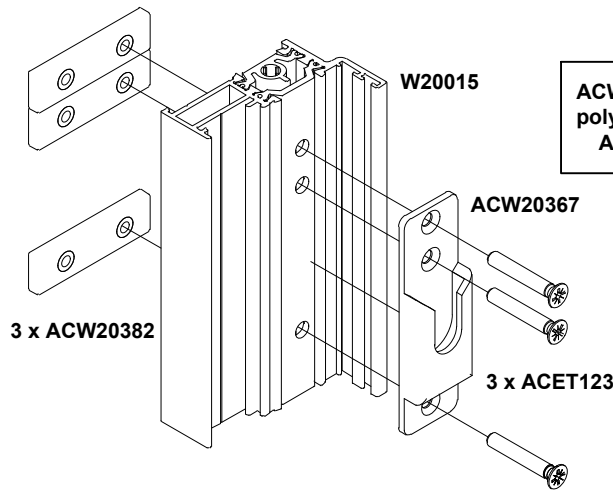
Do Not Scale From This Drawing

PAS24 Open Out Single Door Full Requirements

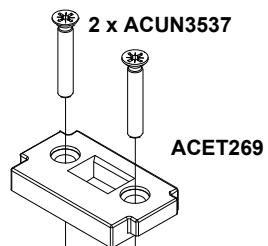
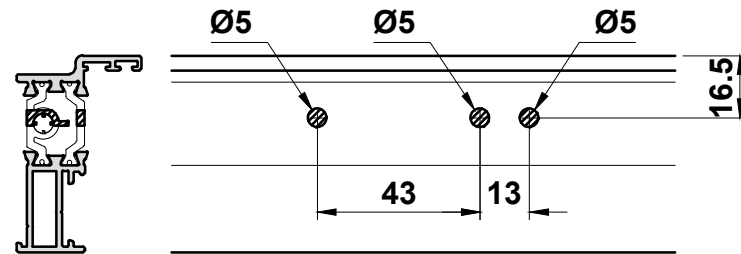
Single Door

Accessories Required to Achieve PAS24:2016

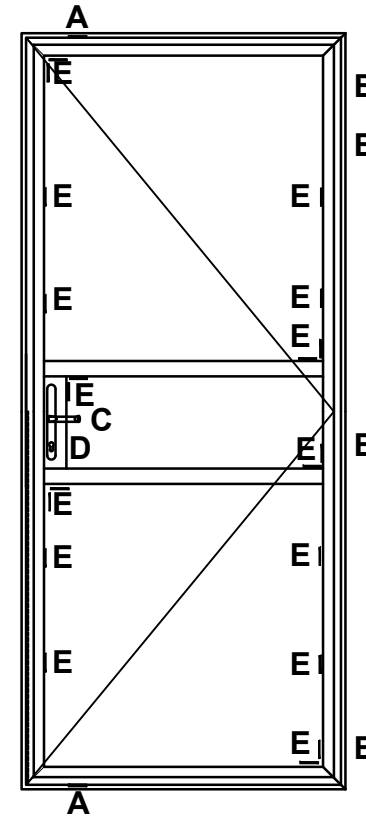
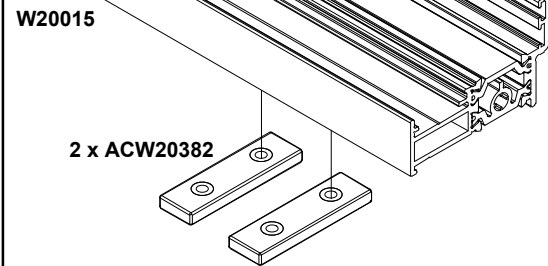
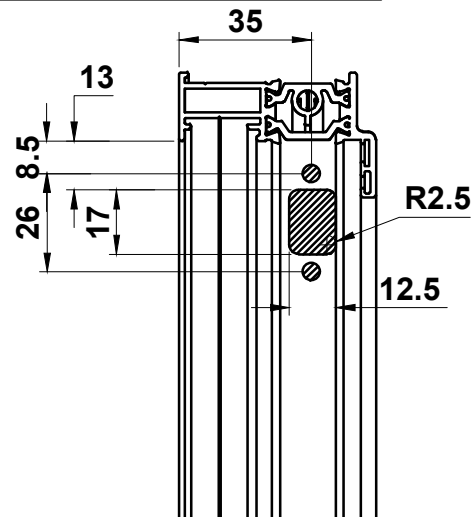
A	Guide Blocks	ACET380
B	Hinges/Hinge Protectors	ACW20360/ACW20375
C	Lever/Lever Handle	ACSM001N
D	Cylinder	ACCY4525NKTT3
E	Glass Packer Positions	
	Centre Keep	ACW20066
	Roller Keep	ACW20367
	Lock	ACW20465



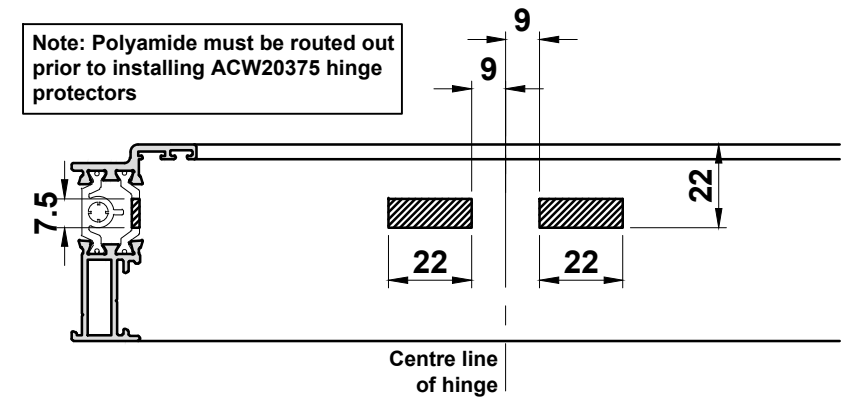
ACW20367 Roller Keep to be fixed through polyamide using ACET123 fixings and into ACW20382 reinforced M4 Fixing Plate.



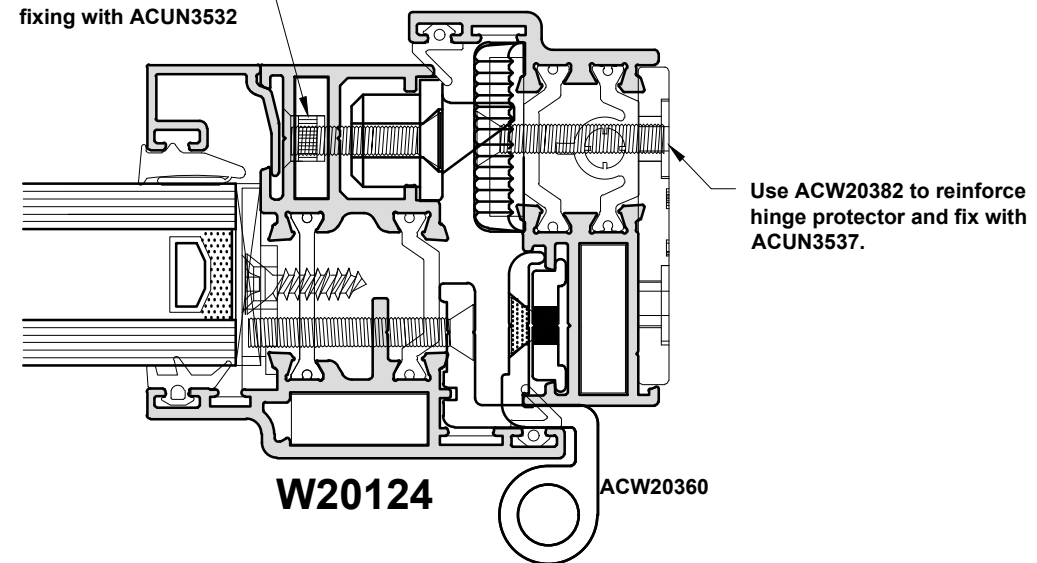
ACET269 Keep to be fixed through polyamide using ACUN3537 fixings and into ACW20382 reinforced M4 Fixing Plate.



Note: Polyamide must be routed out prior to installing ACW20375 hinge protectors

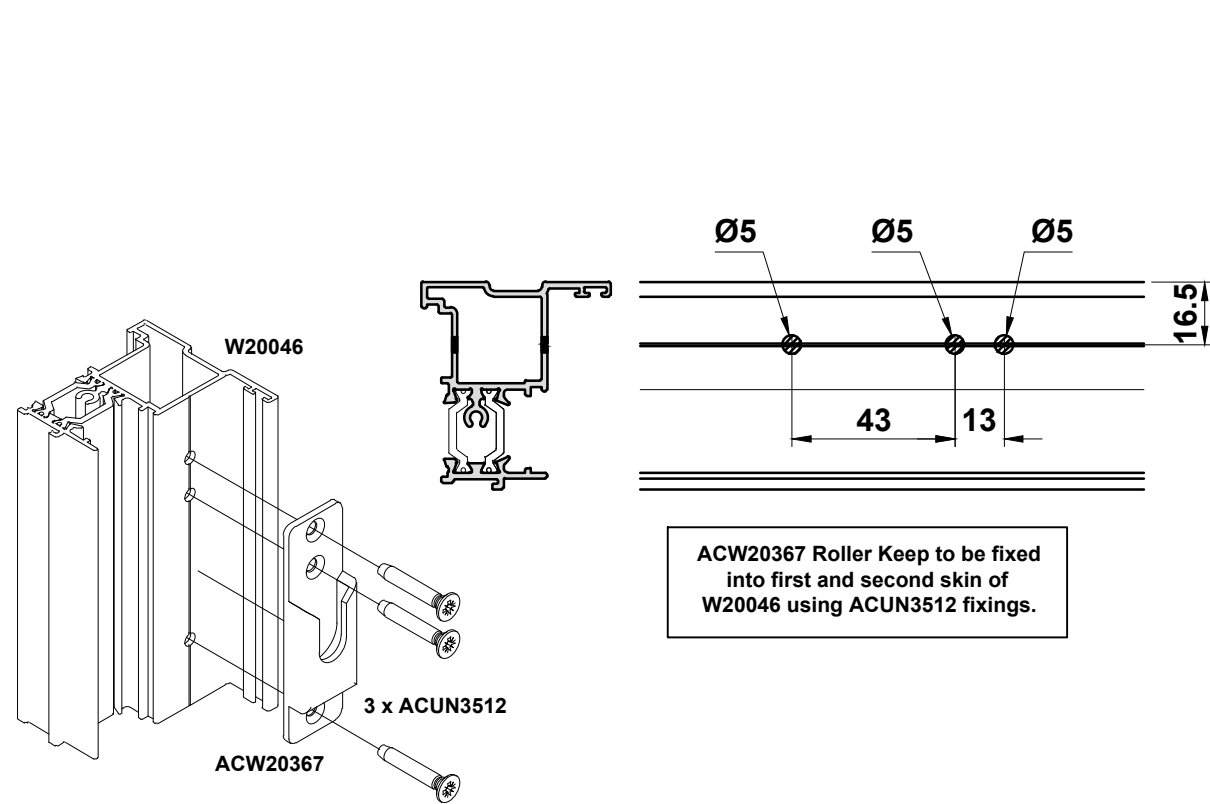


Use ACET123 to fix hinge protector to sash and reinforce fixing with ACUN3532



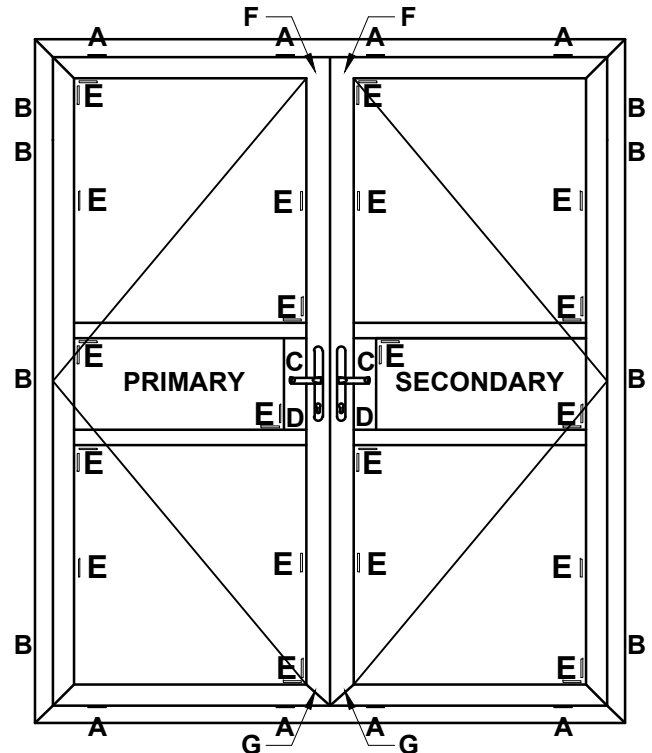
Use ACW20382 to reinforce hinge protector and fix with ACUN3537.

PAS24 Open Out Double Door Full Requirements



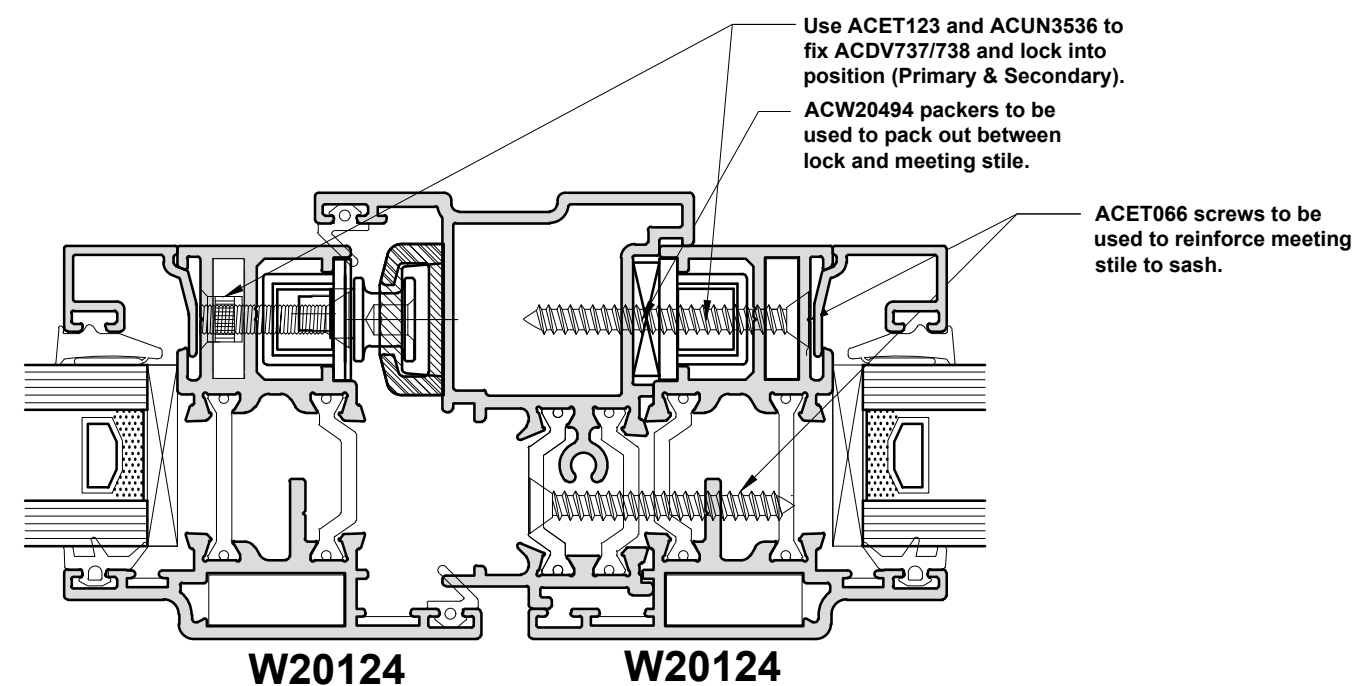
ACW20367 Roller Keep to be fixed into first and second skin of W20046 using ACUN3512 fixings.

Note: Please see single door PAS24 page to see preparation for the hinge side of the double door.



Double Door
Accessories Required to Achieve PAS24:2016

A	Guide Blocks	ACET380
B	Hinges/Hinge Protector	ACW20360/ACW20375
C	Lever/Lever Handle	ACSM001N
D	Cylinder	ACCY4525NKTT3
E	Glass Packer Positions	
F	Top Shootbolt/Keep	ACDV738/ACW20437
G	Bottom Shootbolt/Keep	ACDV737/ACW20437
	Centre Keep	ACW20066
	Roller Keep	ACW20367
	Primary Lock	ACW20465
	Secondary Lock	ACW20466



Do Not Scale From This Drawing



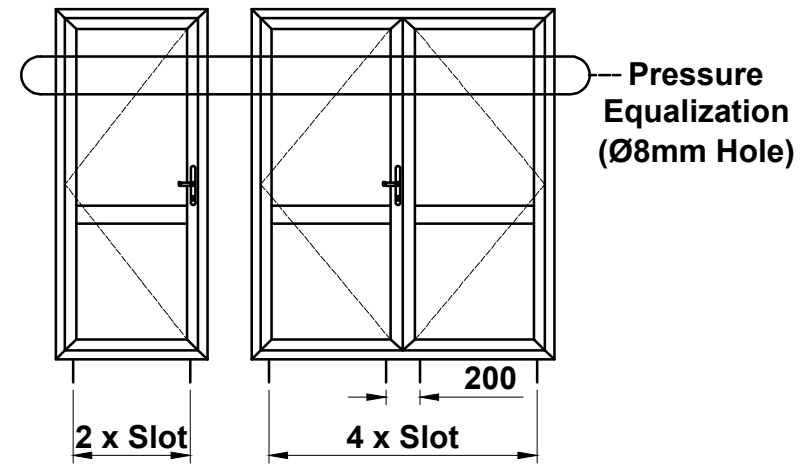
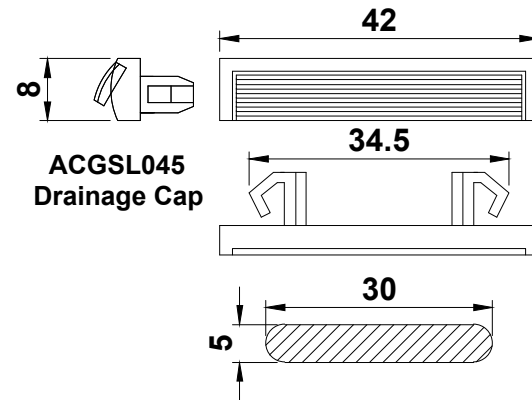
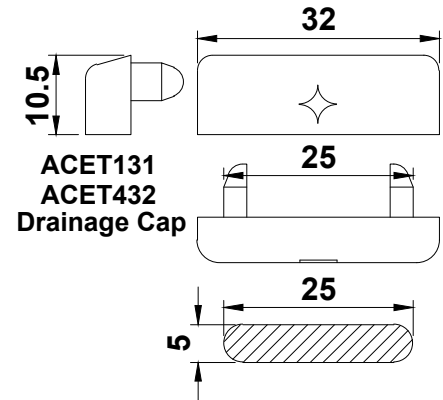
Construction Drawings

Open In

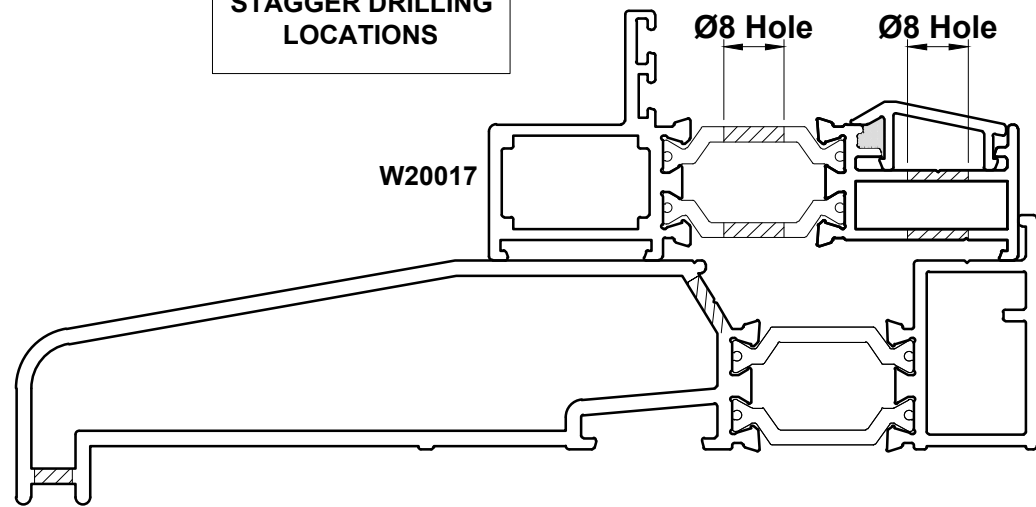
Drainage Details.....	E26 - E27
Single Lock Overview.....	E28
Lock Details.....	E29 - E32
Double Door Lock Overview.....	E33
Double Door using W20048.....	E34
W0129 Open In Lock Selection.....	E35
Double Door Thresholds Using W21048.....	E36 - E37
Low Threshold ACW20270 Detail.....	E38
Hinge Details.....	E39 - E40
90° Restrictor Installation.....	E41
PAS24 Full Requirements.....	E42- E43

Do Not Scale From This Drawing

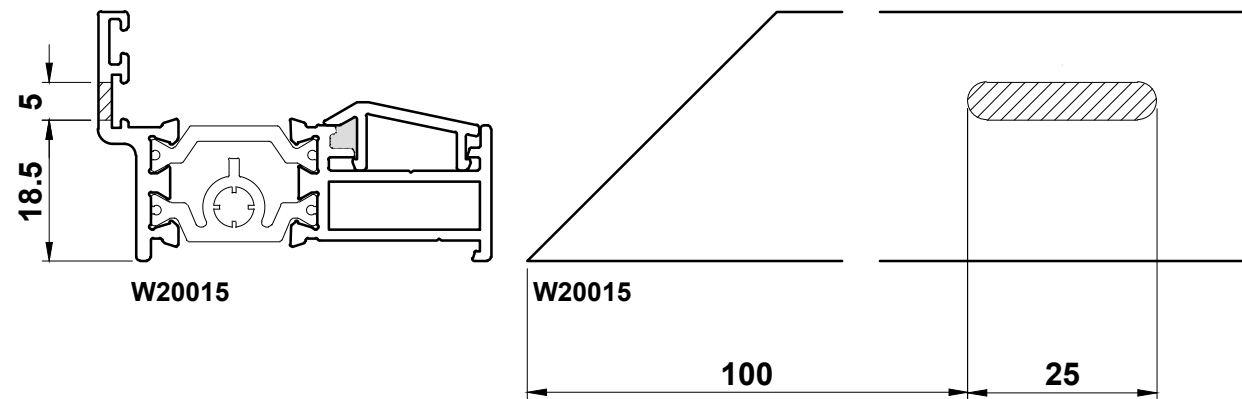
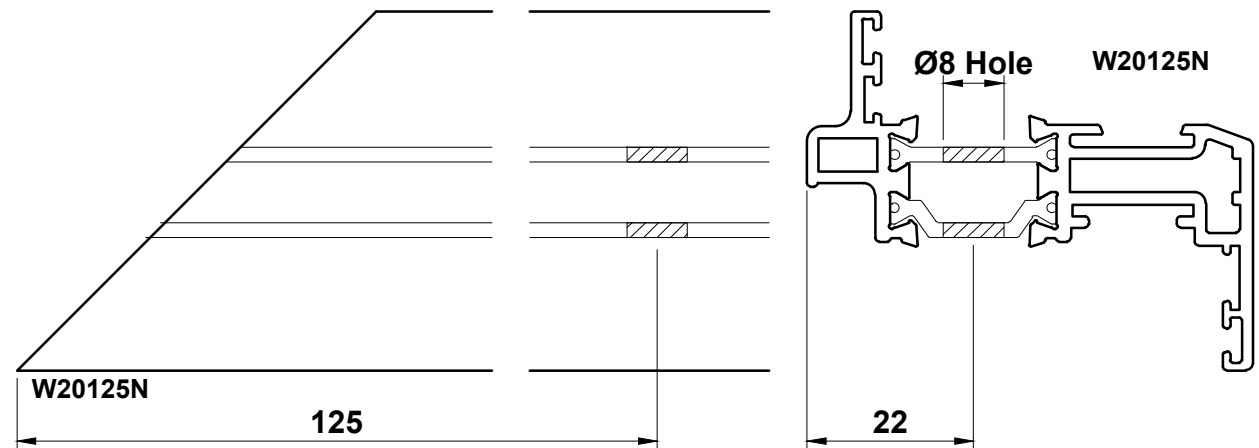
W20125N Open In Door Drainage Detail



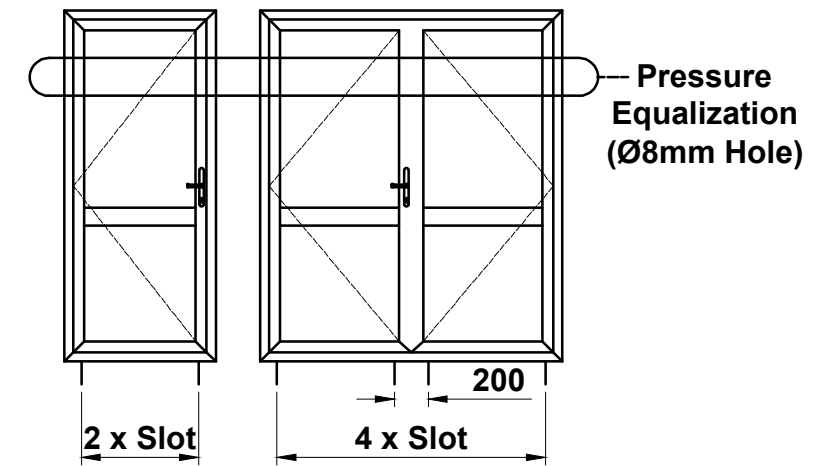
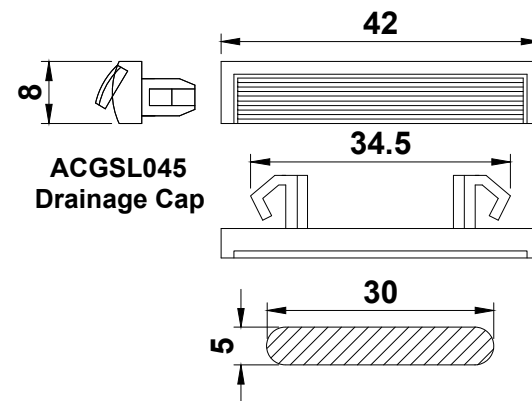
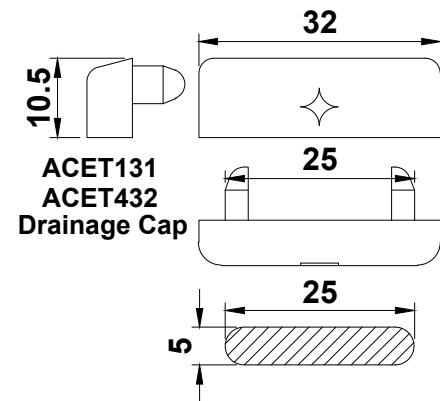
STAGGER DRILLING LOCATIONS



ETC451
ETC452
ETC457
ETC458
ETC479N

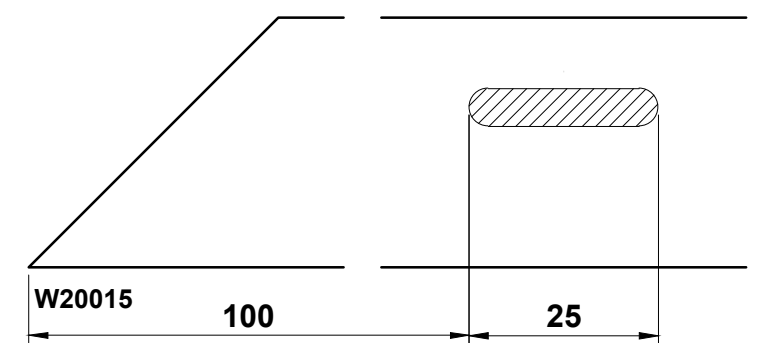
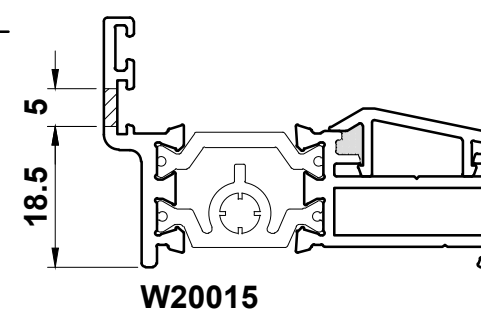
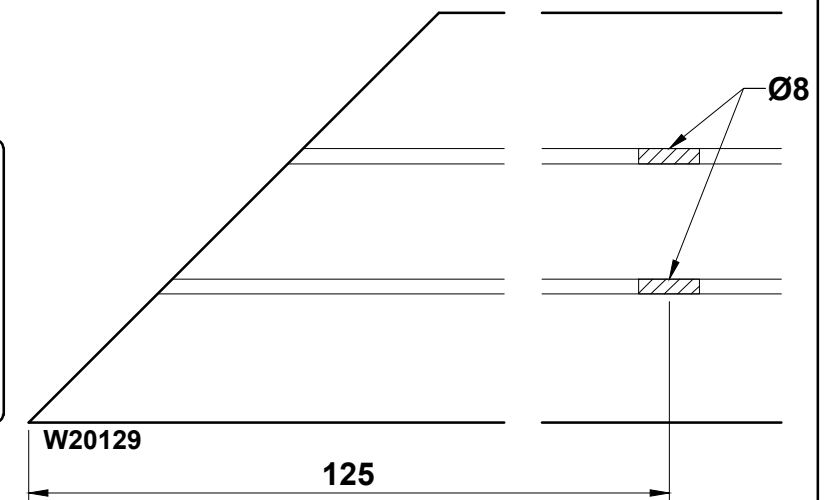
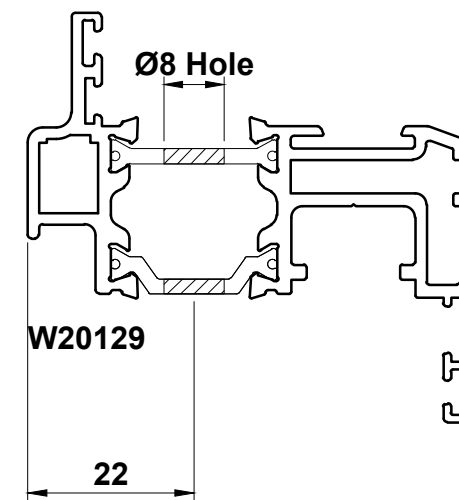
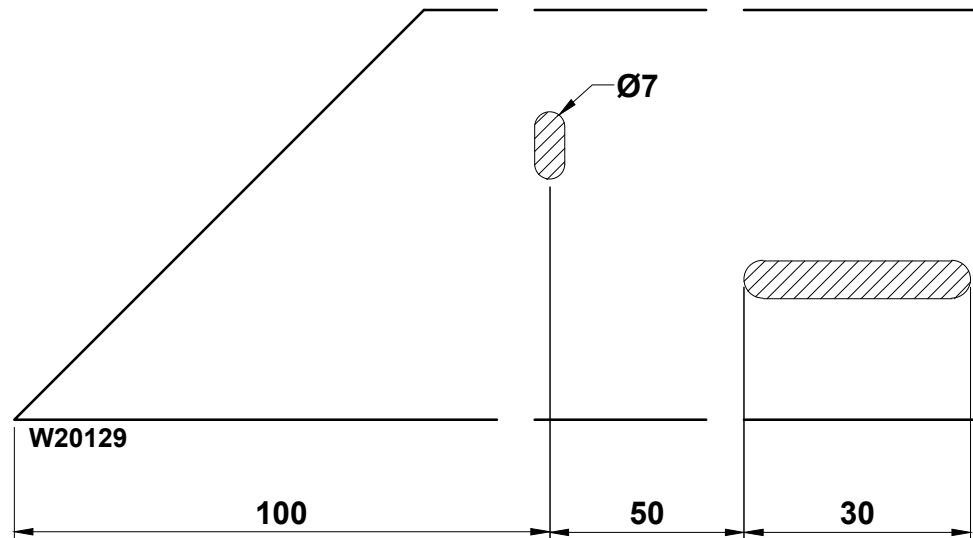
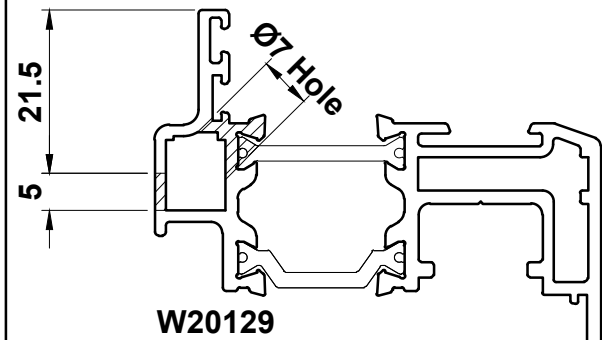


W20129 Open In Door Drainage Detail



Note: Use ACW928 jig to drill 45° angled Ø5 hole and opened up to a Ø7 drainage hole.

Low Threshold Drainage Path



Do Not Scale From This Drawing

Single Door Lock Overview

W20125N Sash

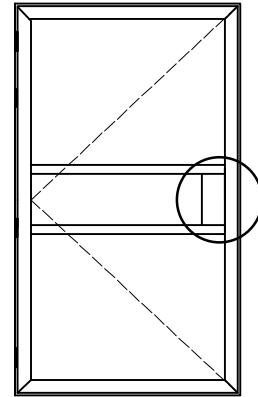
Lock	Accessories	Quantity
<p>ACW20065</p>	<p>ACCY4525NKTTTS3</p>	1
	<p>ACW20166 L/R</p>	1
	<p>ACW20067</p>	4

W20129 Sash (PAS24 Option)

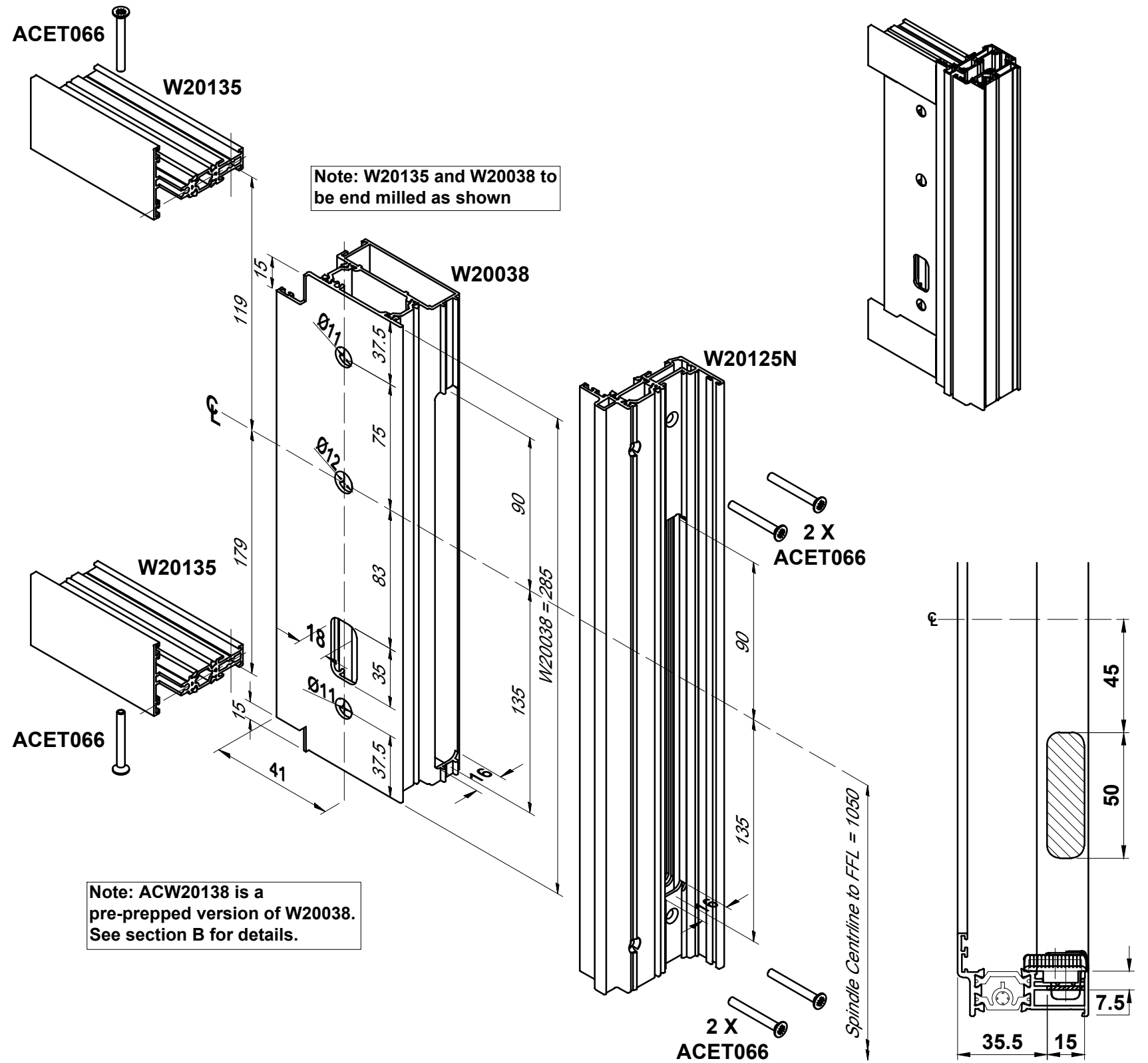
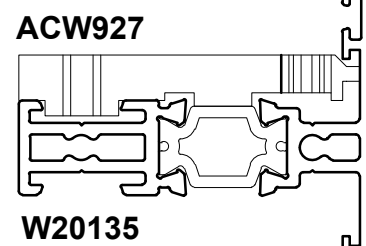
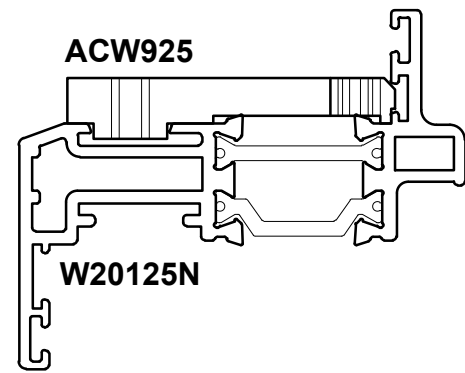
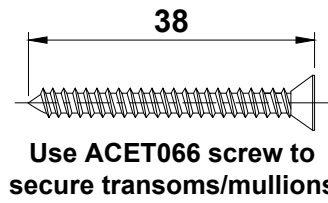
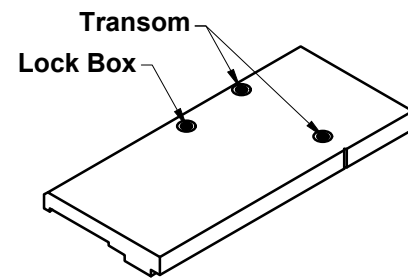
Lock	Accessories	Quantity
<p>ACW20465 (W20124)</p>	<p>ACCY4525NKTTTS3</p>	1
	<p>ACW20166 L/R</p>	1
	<p>ACW20367</p>	4

Do Not Scale From This Drawing

W20125N Open In Door Lock Preparation

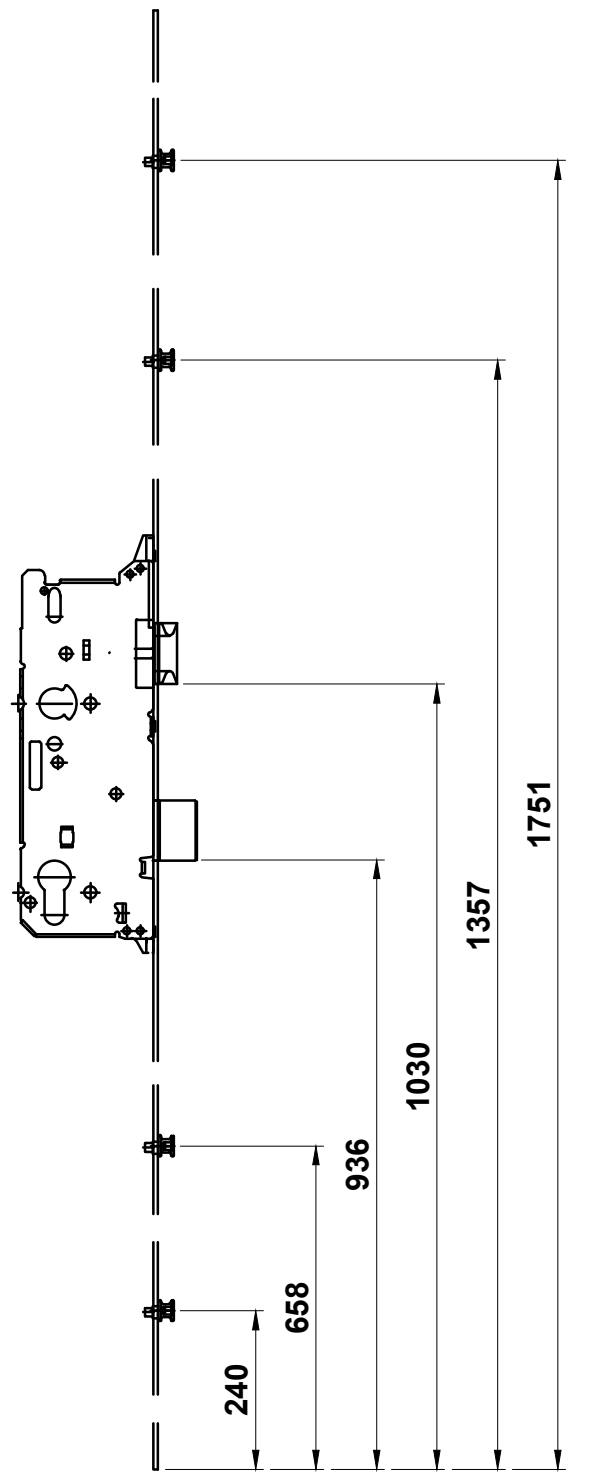


Drill Jig = ACW925/ACW927
Jig **MUST** be clamped in position before drilling

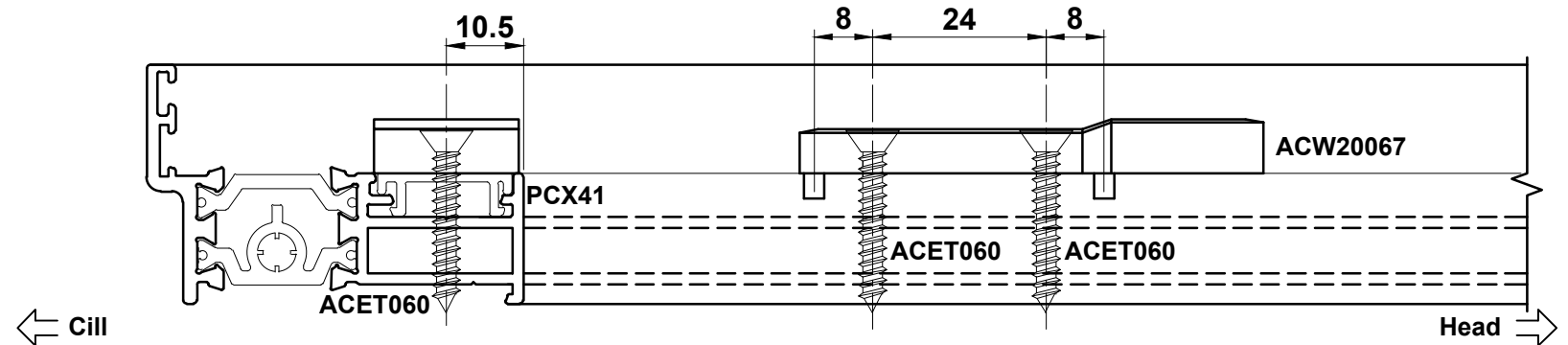
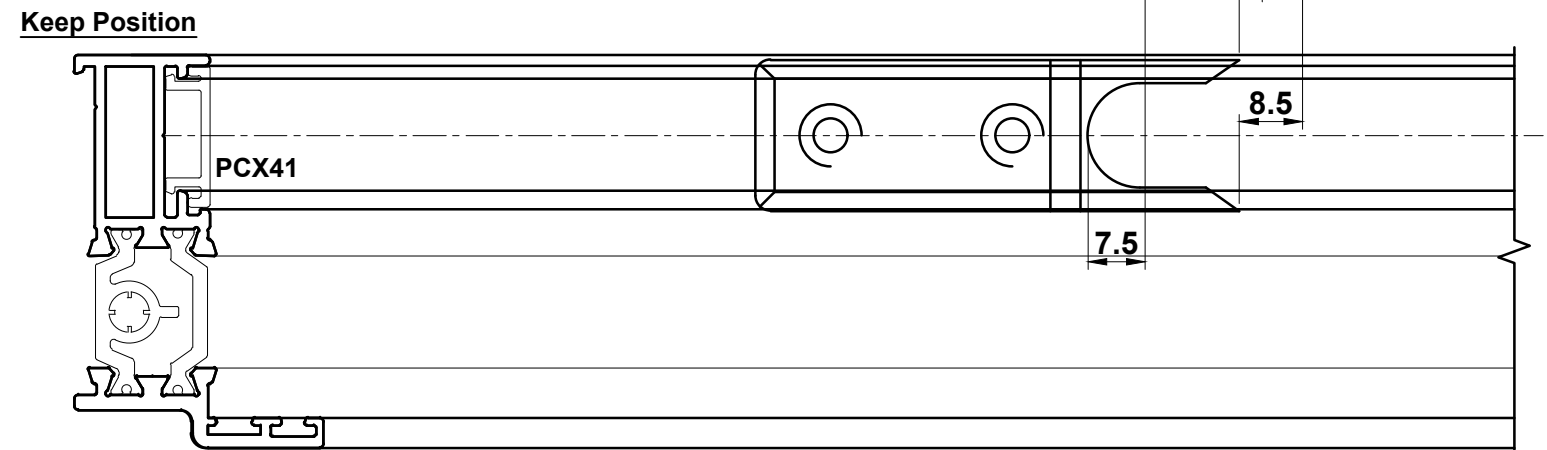
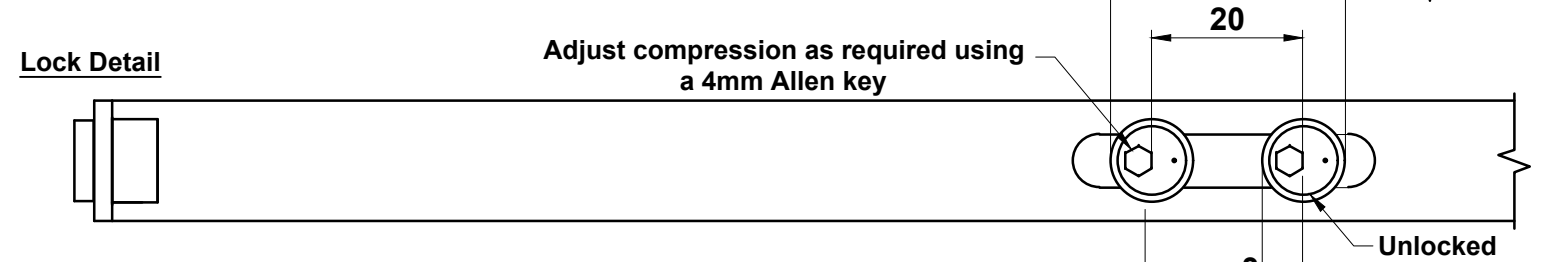
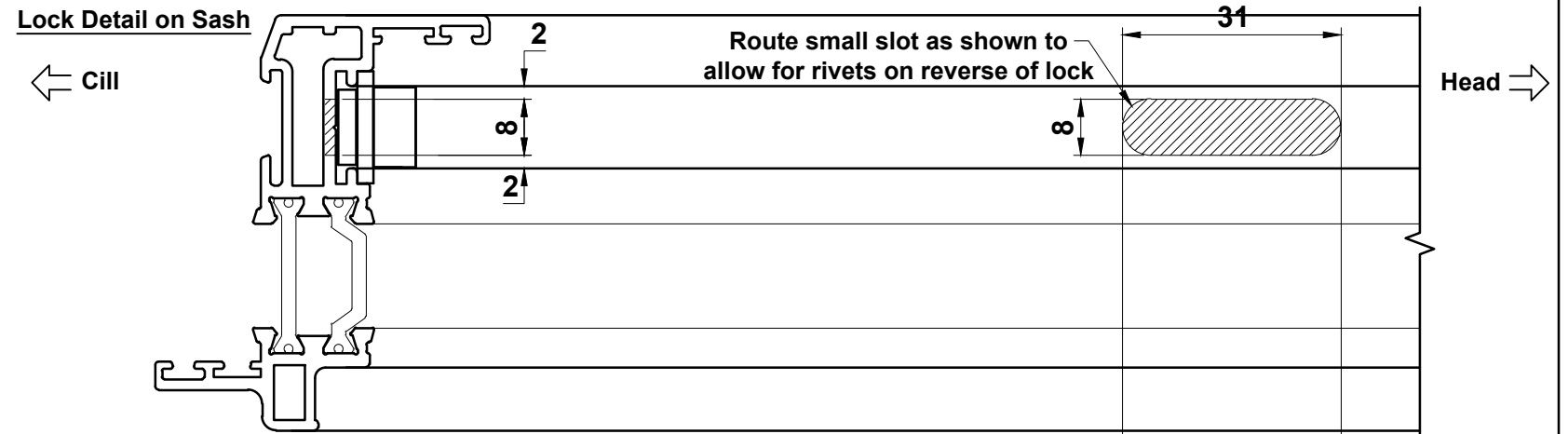
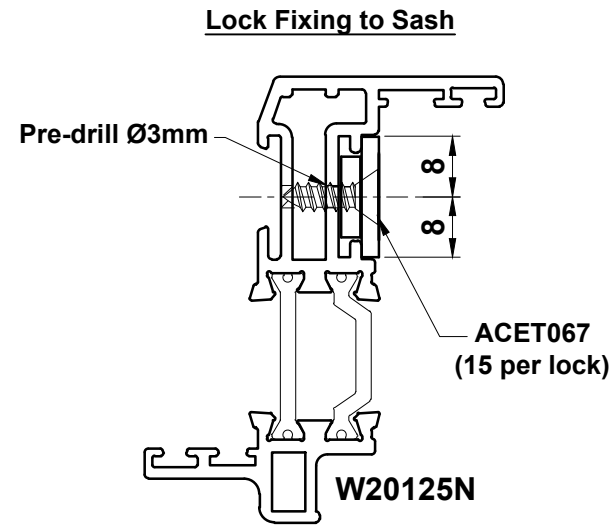


Do Not Scale From This Drawing

W20125N Open In Door Lock Preparation Continued

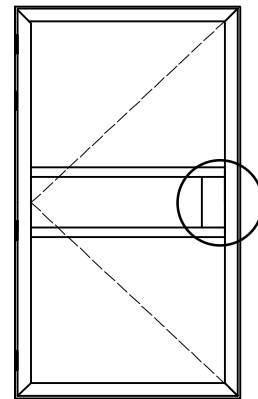


Locking Positions (in unlocked position)

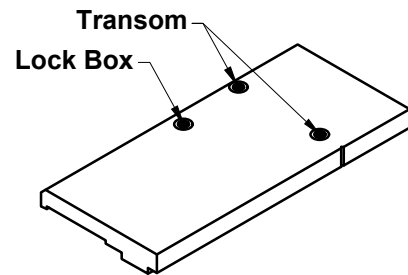


Do Not Scale From This Drawing

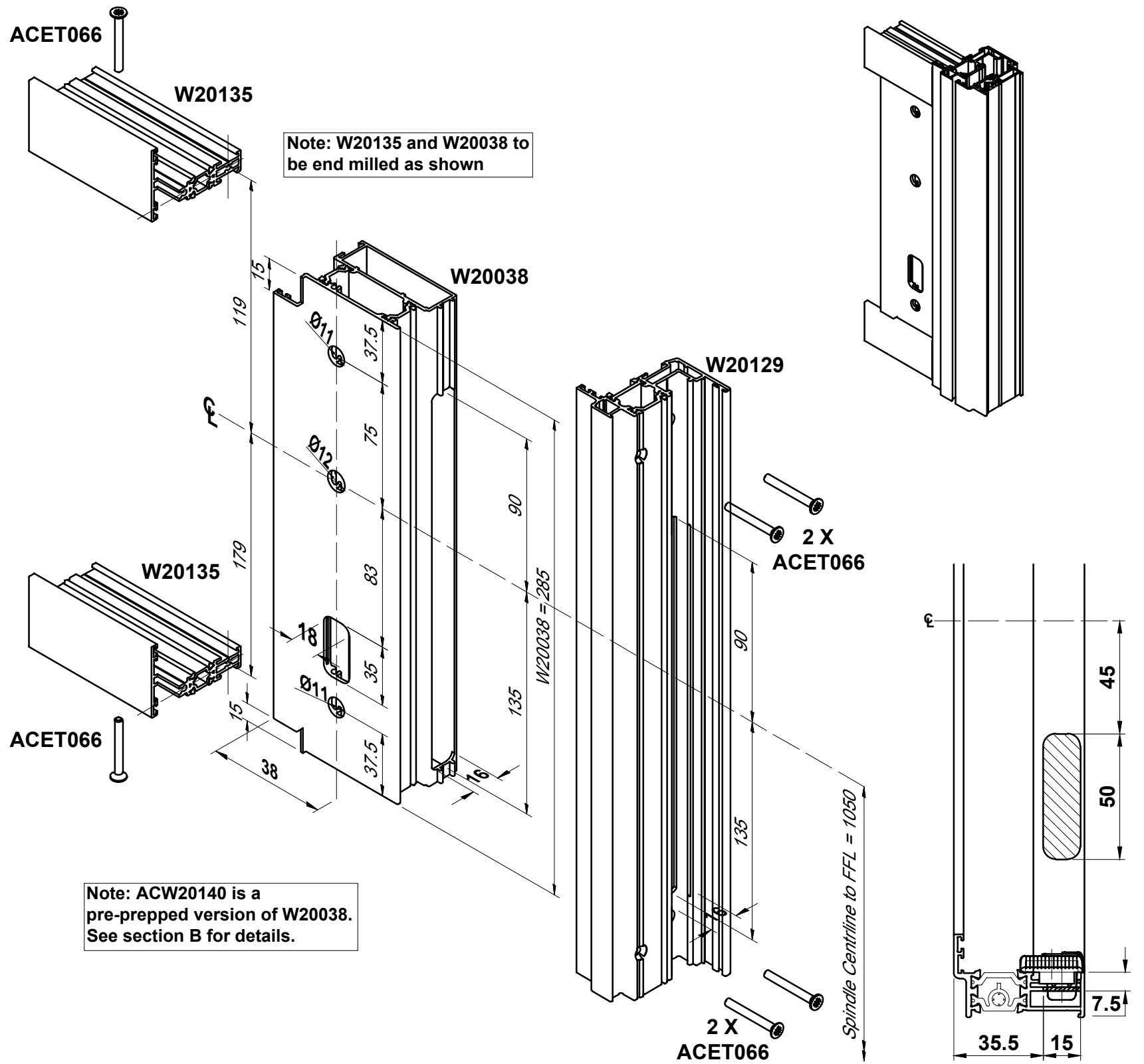
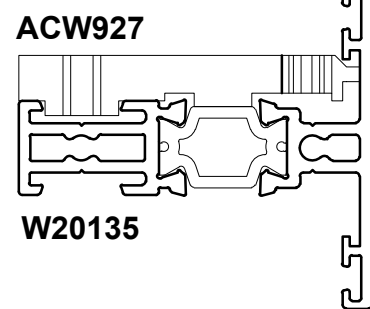
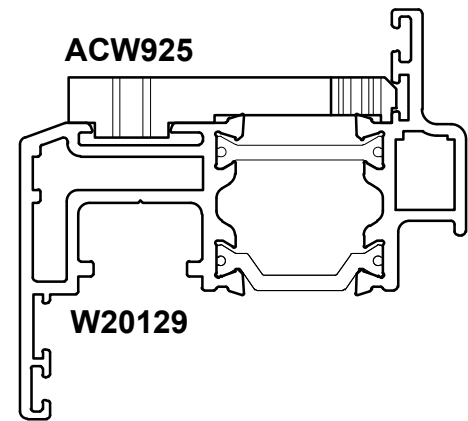
W20129 Open In Door Lock Preparation (PAS24 Option)



Drill Jig = ACW925/ACW927
Jig **MUST** be clamped in position before drilling

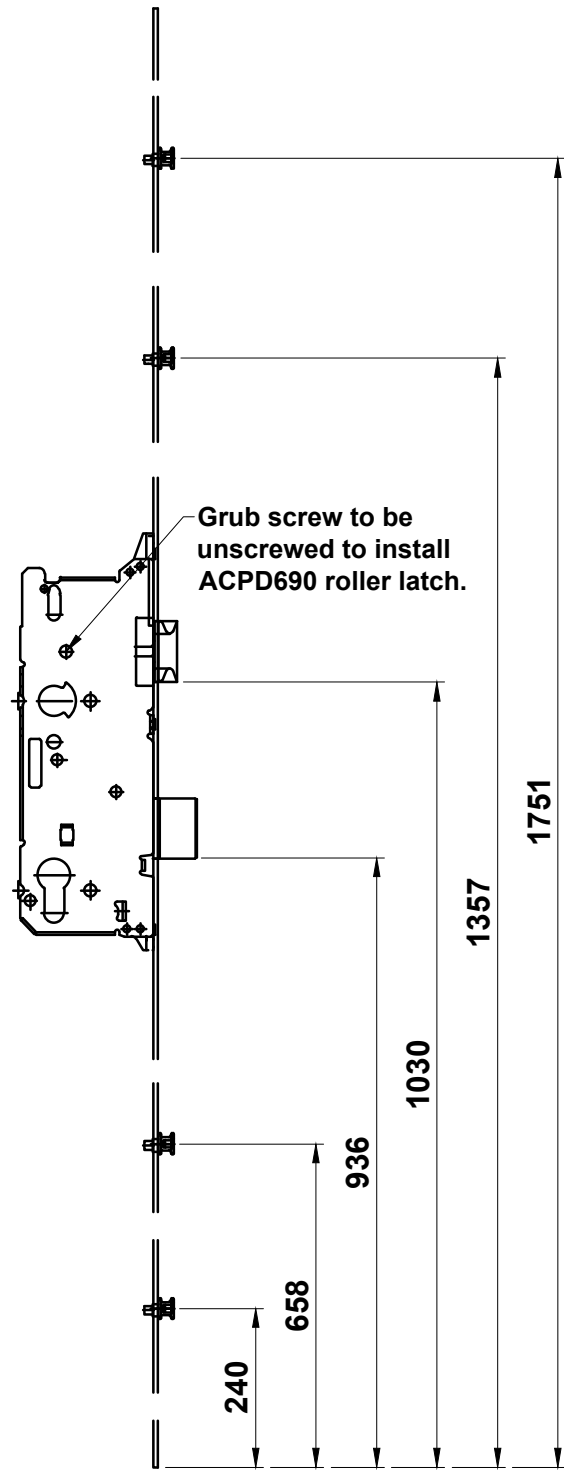


38
Use ACET066 screw to secure transoms/mullions

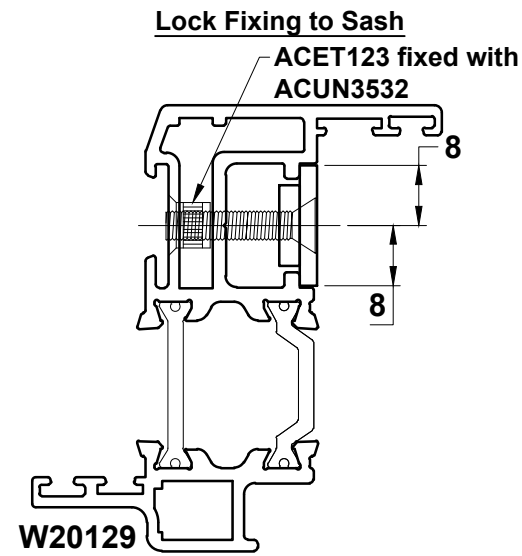


Do Not Scale From This Drawing

W20129 Open In Door Lock Preparation (PAS24 Option) Continued



Locking Positions (in unlocked position)



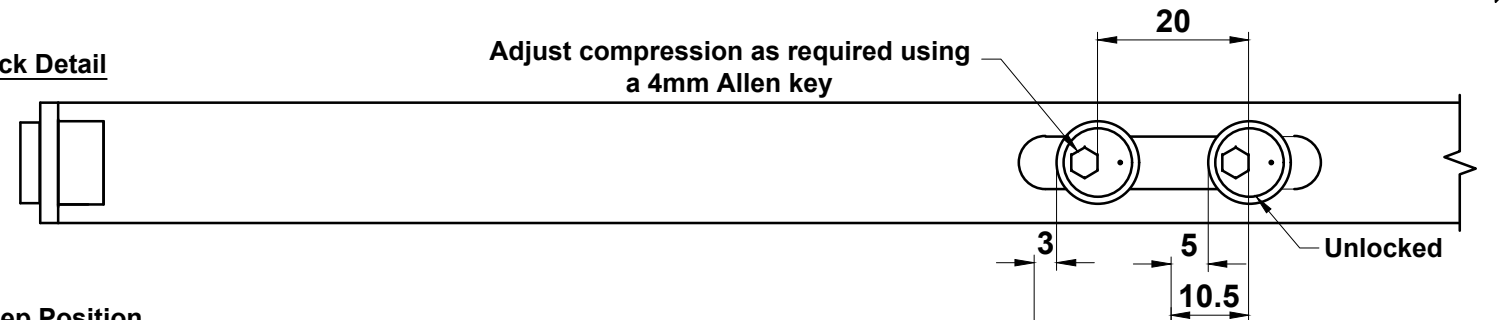
Lock Detail on Sash

← Cill

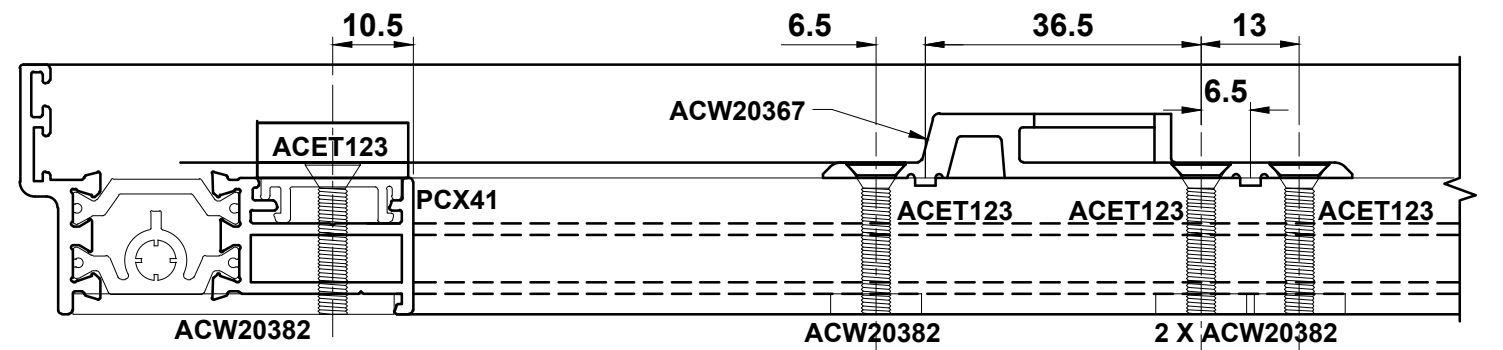
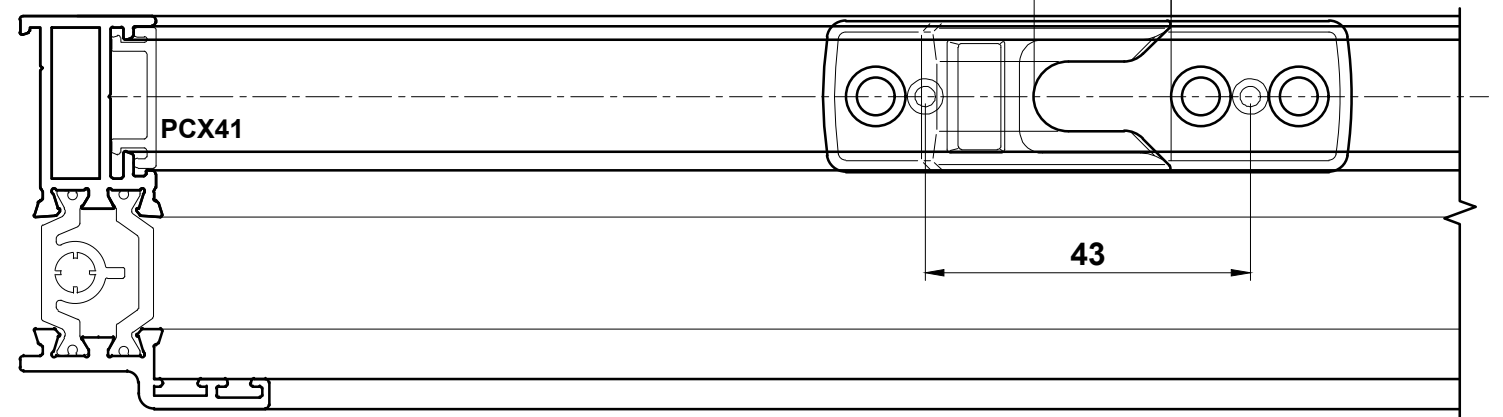
Head →

Lock Detail

Adjust compression as required using a 4mm Allen key



Keep Position



← Cill

Head →

Do Not Scale From This Drawing

Double Door Lock Overview

W20027 Sash

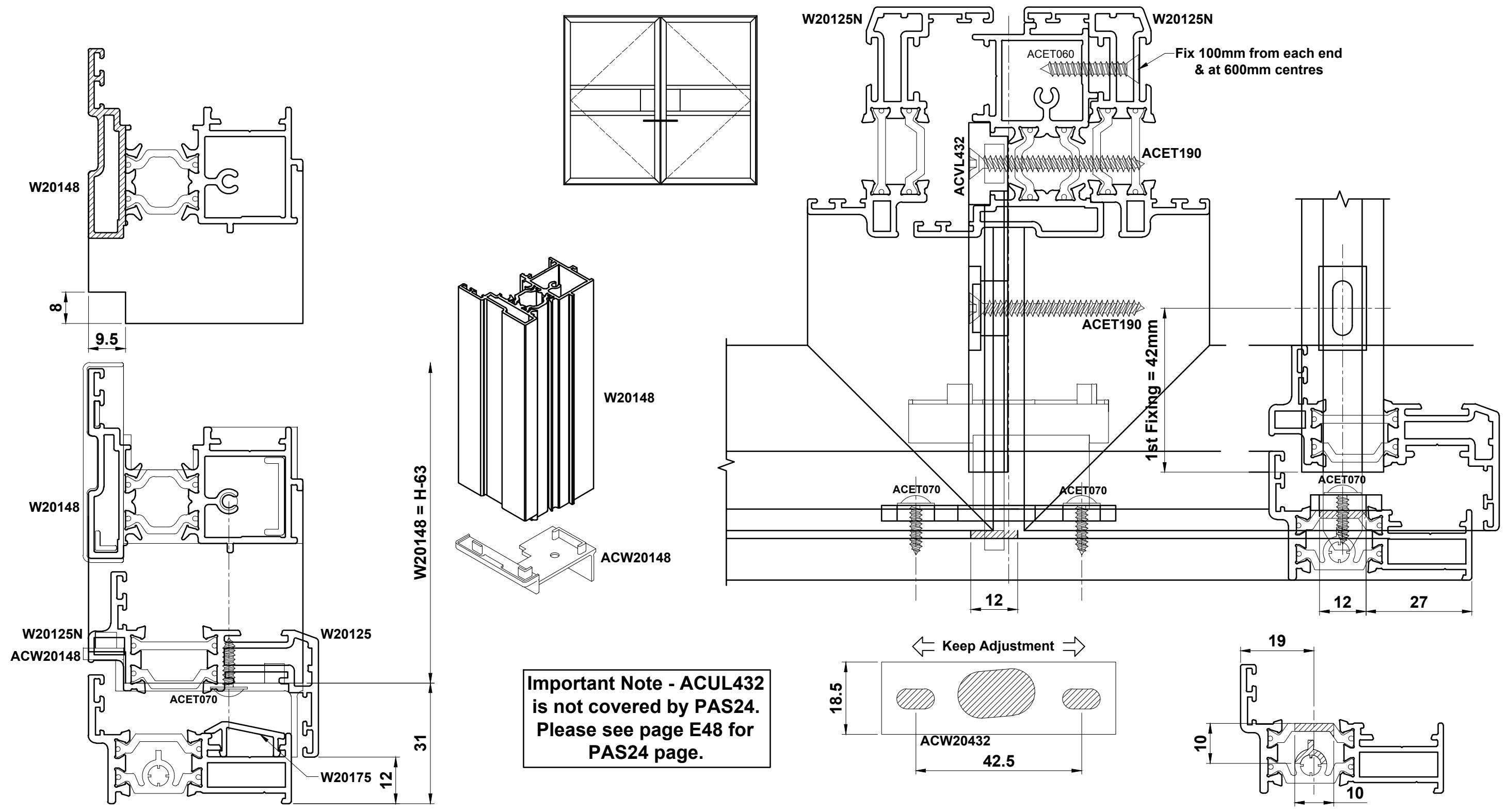
Lock	Accessories	Quantity
<p>ACW20065</p>	<p>ACCY4525NKTTTS3</p>	1
	<p>ACVL432</p>	2
	<p>ACW20166 L/R</p>	1
	<p>ACW20067</p>	4
	<p>ACW20432</p>	2

W20129 Sash (PAS24 Option)

Lock	Accessories	Quantity
<p>ACW20465 ACW20466</p>	<p>ACCY4525NKTTTS3</p>	1
	<p>ACDV737/ACDV738</p>	2 / 2
	<p>ACW20166 L/R</p>	1
	<p>ACW20367</p>	4
	<p>ACW20385</p>	2

Do Not Scale From This Drawing

Open In Double Door Using W20148



Do Not Scale From This Drawing

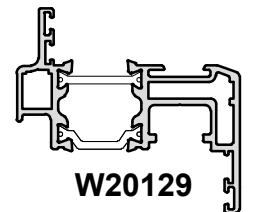
W20129 Open In Lock Selection with Shootbolts (PAS24 Option)

Door Height Range: 1830-2040mm

Door Height Range: 2030-2235mm

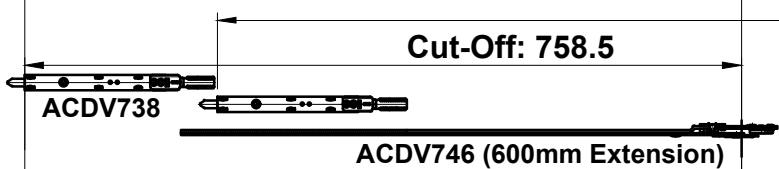
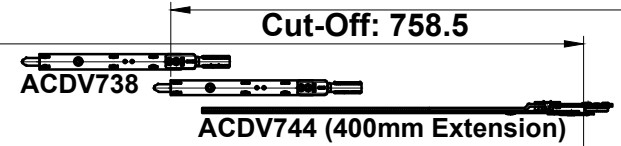
Door Height Range: 2080-2235mm

Important Note:
Sash height is limited to 2100mm high.
Please see Page A04 for all door limits.

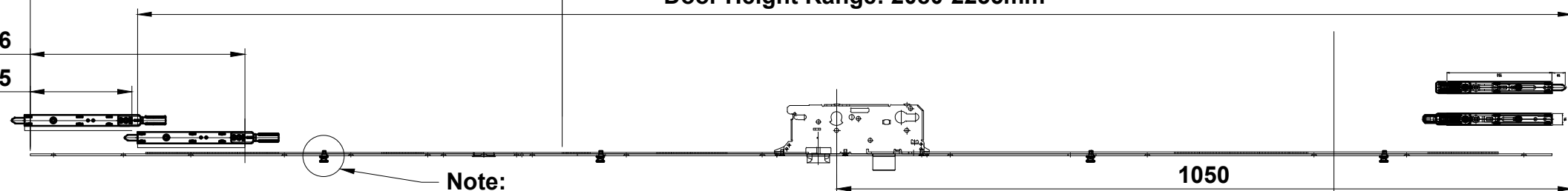


W20129

Primary Lock
ACW20465



Cut-Off: 306
Cut-Off: 145



Note:
Doors below 2076mm require the lock to be cut below the top locking cam as shown.

TOP

BOTTOM

1881
1906

2215

Min Cut Off In Opening Position**

Max Cut Off In Opening Position
485

Max Cut Off In Opening Position**

267

Secondary Lock
ACW20466

175

Handle Height with Shootbolt = 1050

Min sash size with handle height at 1050mm = 1881

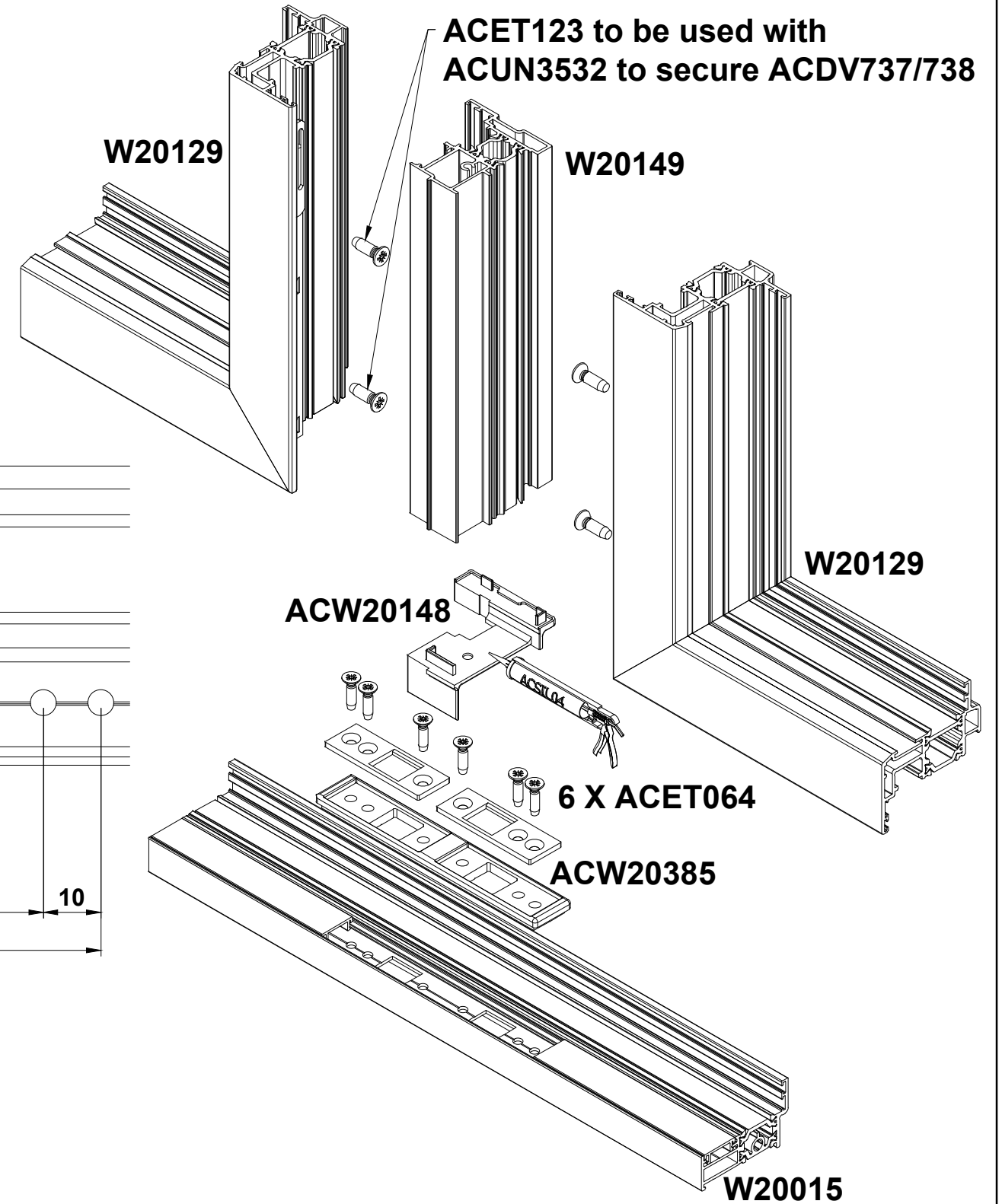
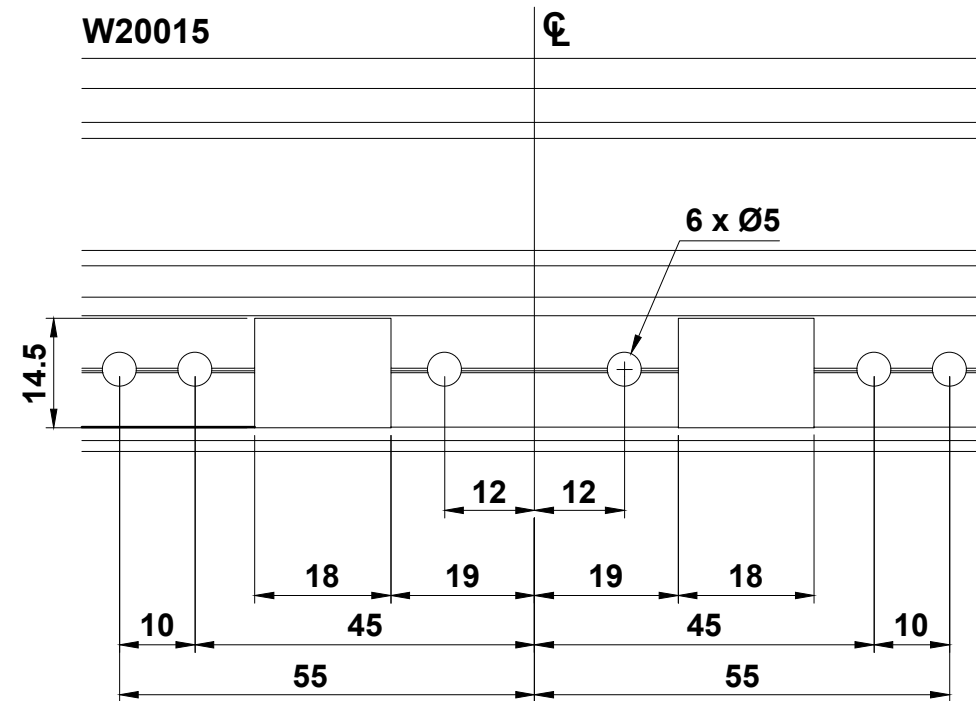
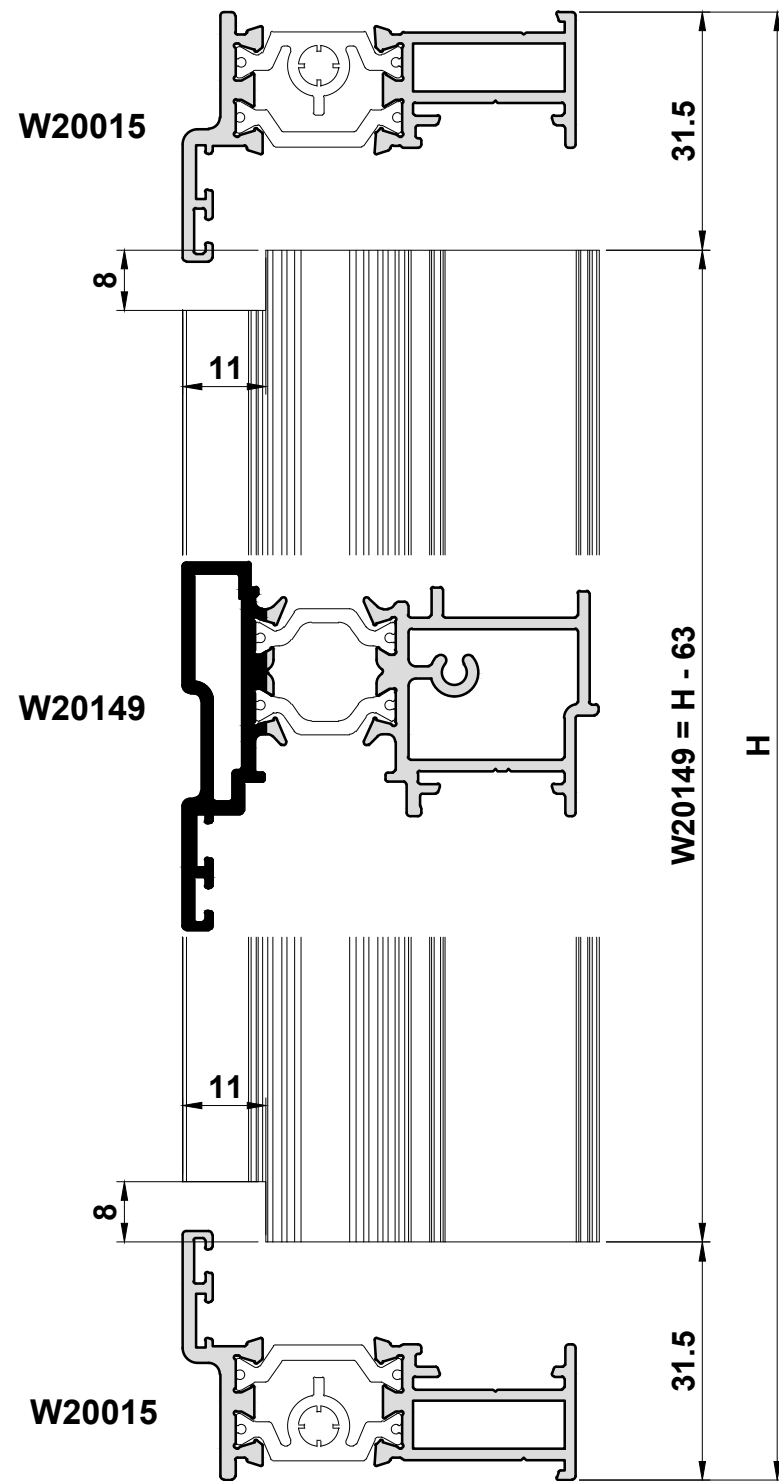
Max sash size with handle height at 1050mm = 2190 (without extension)

12.5

12.5

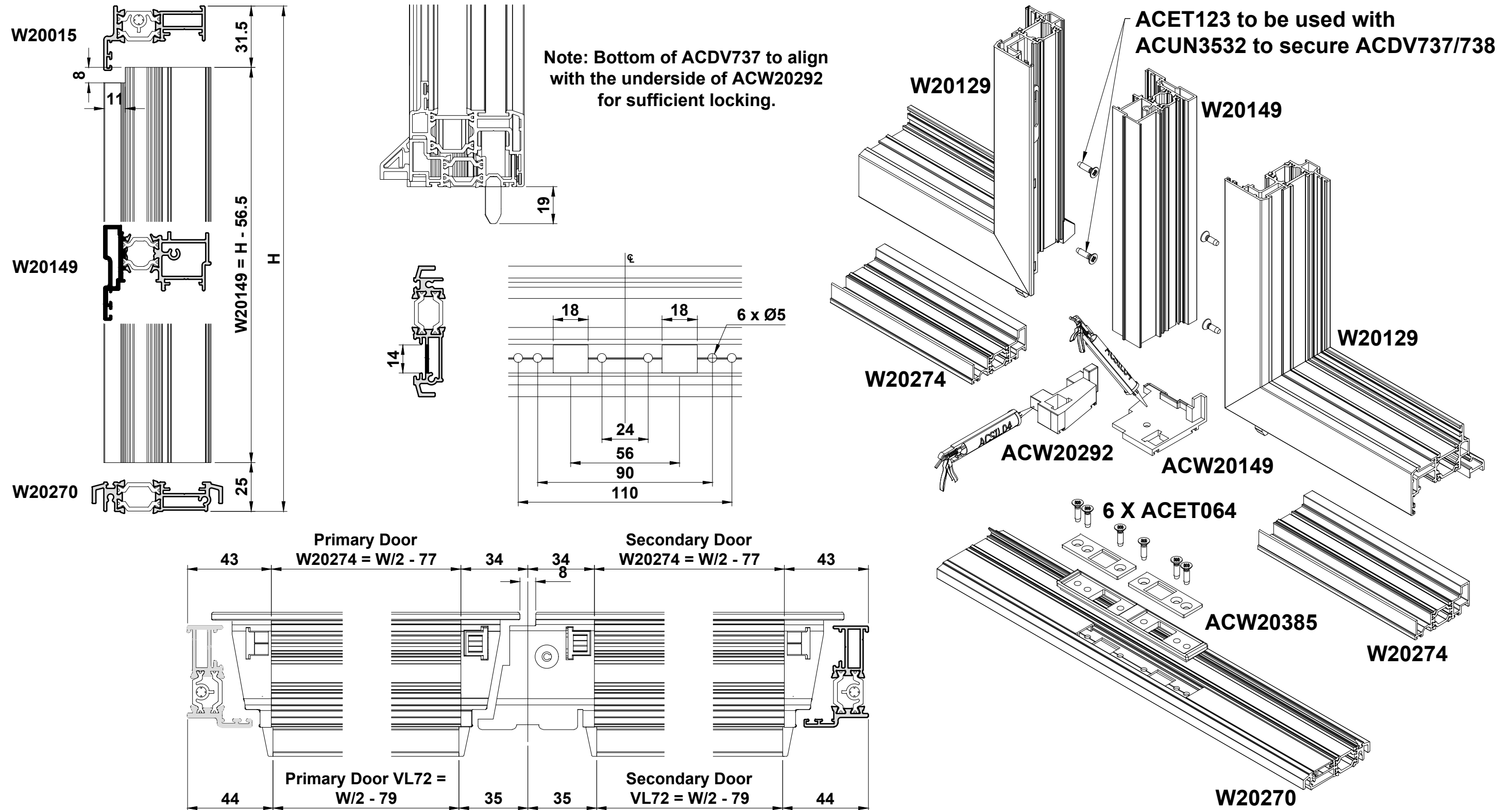
Do Not Scale From This Drawing

Open In Double Door Standard Threshold Using W20149 (PAS24 Option)



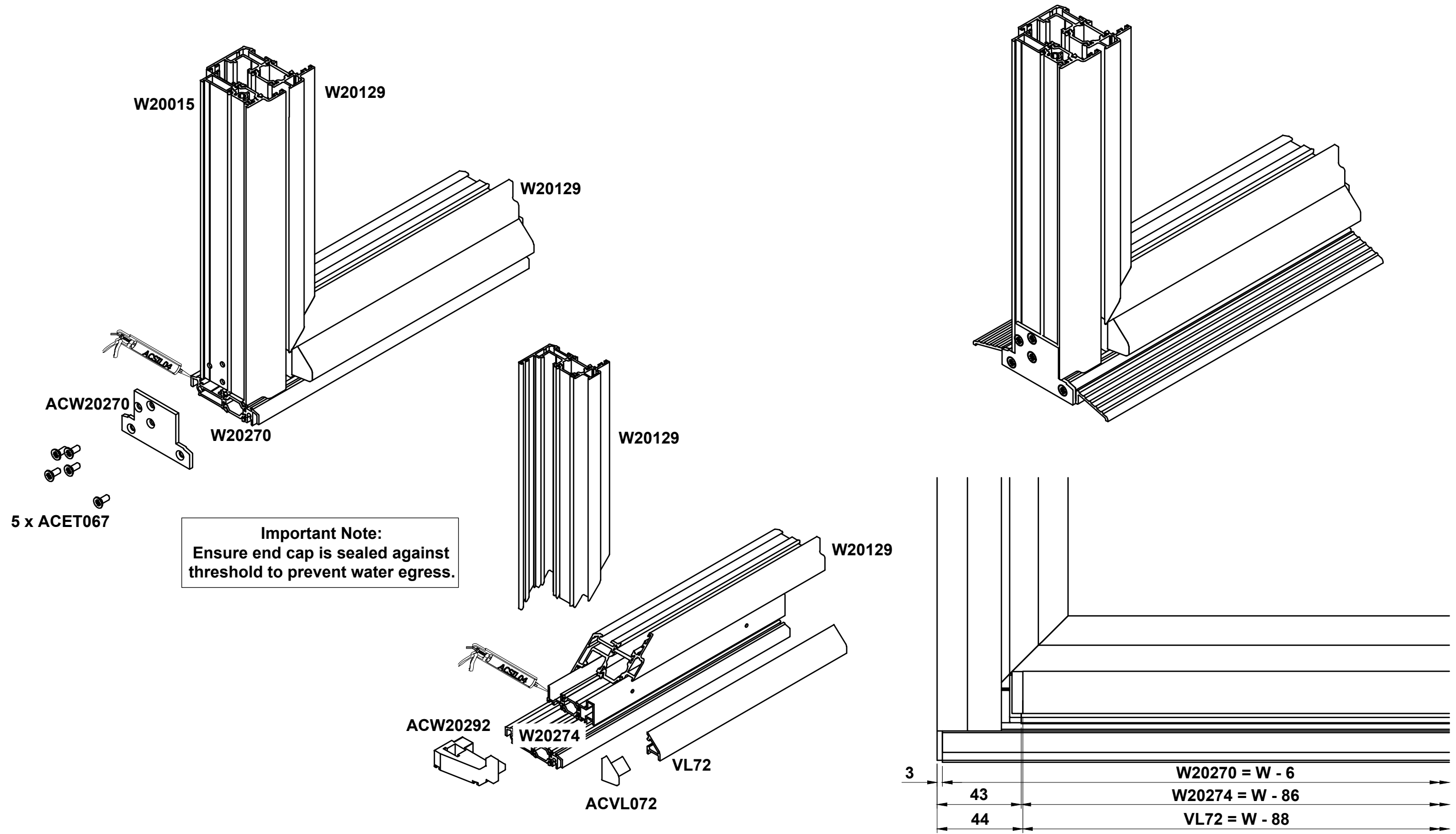
Do Not Scale From This Drawing

Open In Double Door Low Threshold Using W20149 (PAS24 Option)



Do Not Scale From This Drawing

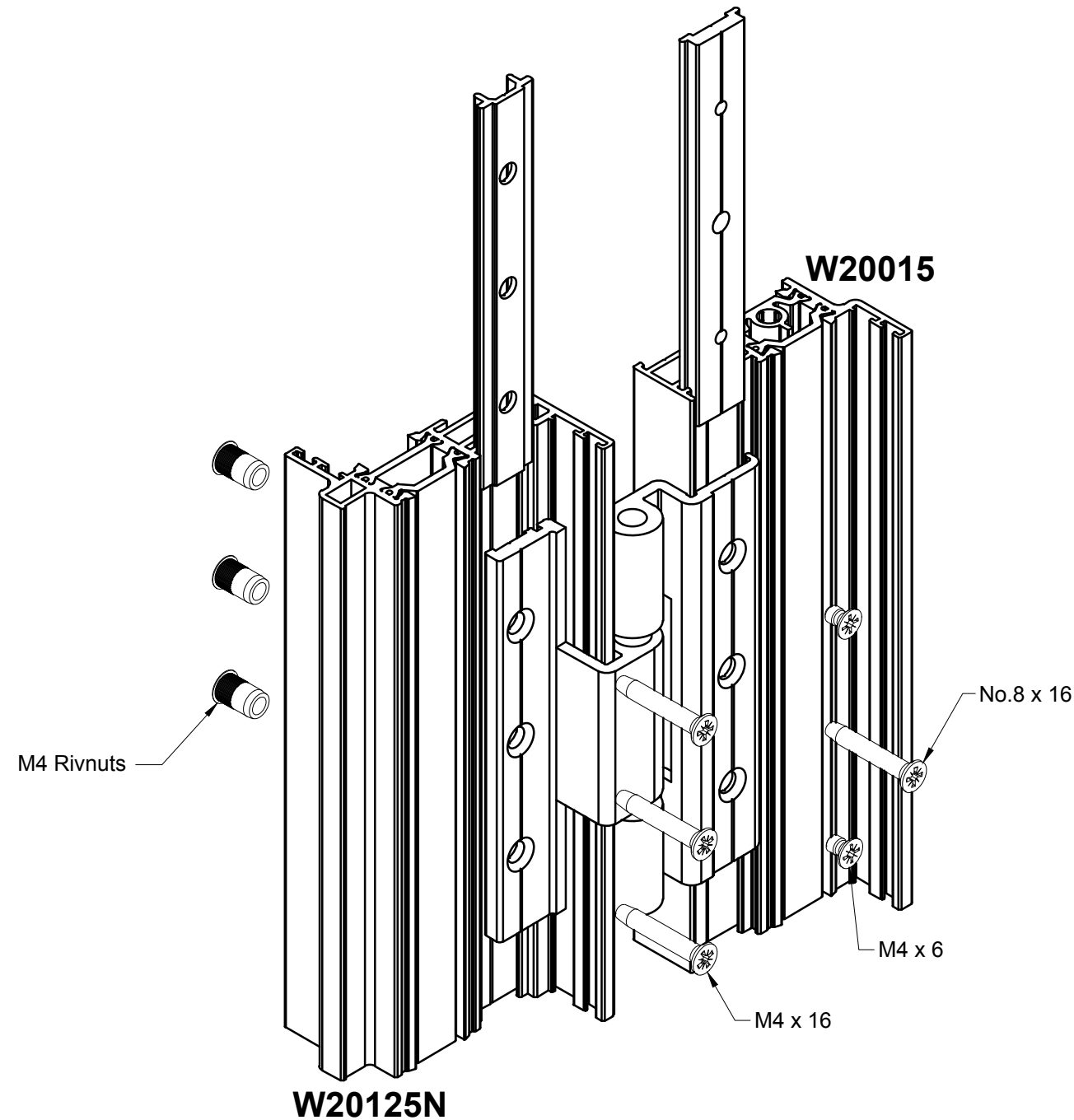
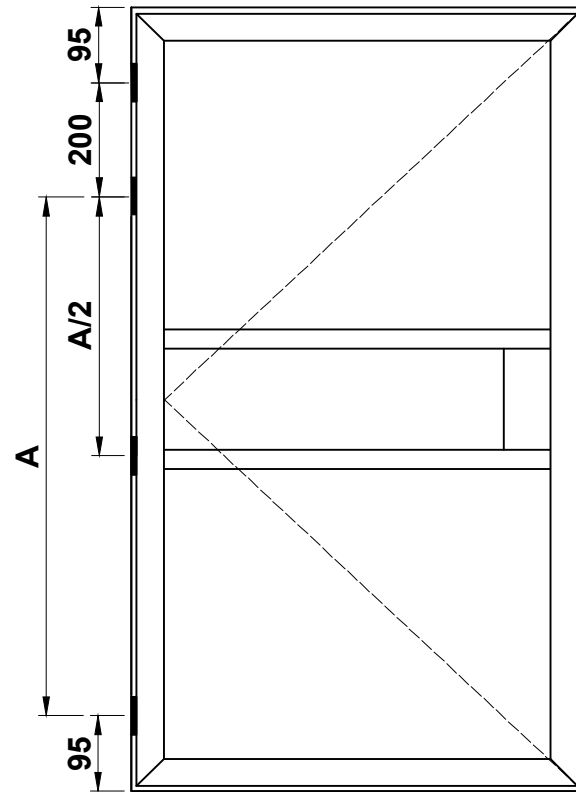
Open In Double Door Low Threshold ACW20270 Detail



Do Not Scale From This Drawing

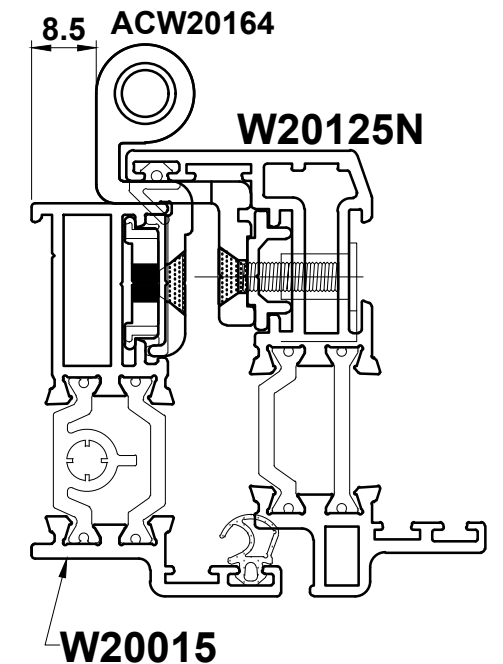
W20125N Open In Door Hinge Details

Recommended hinge positions



Assembly Instructions

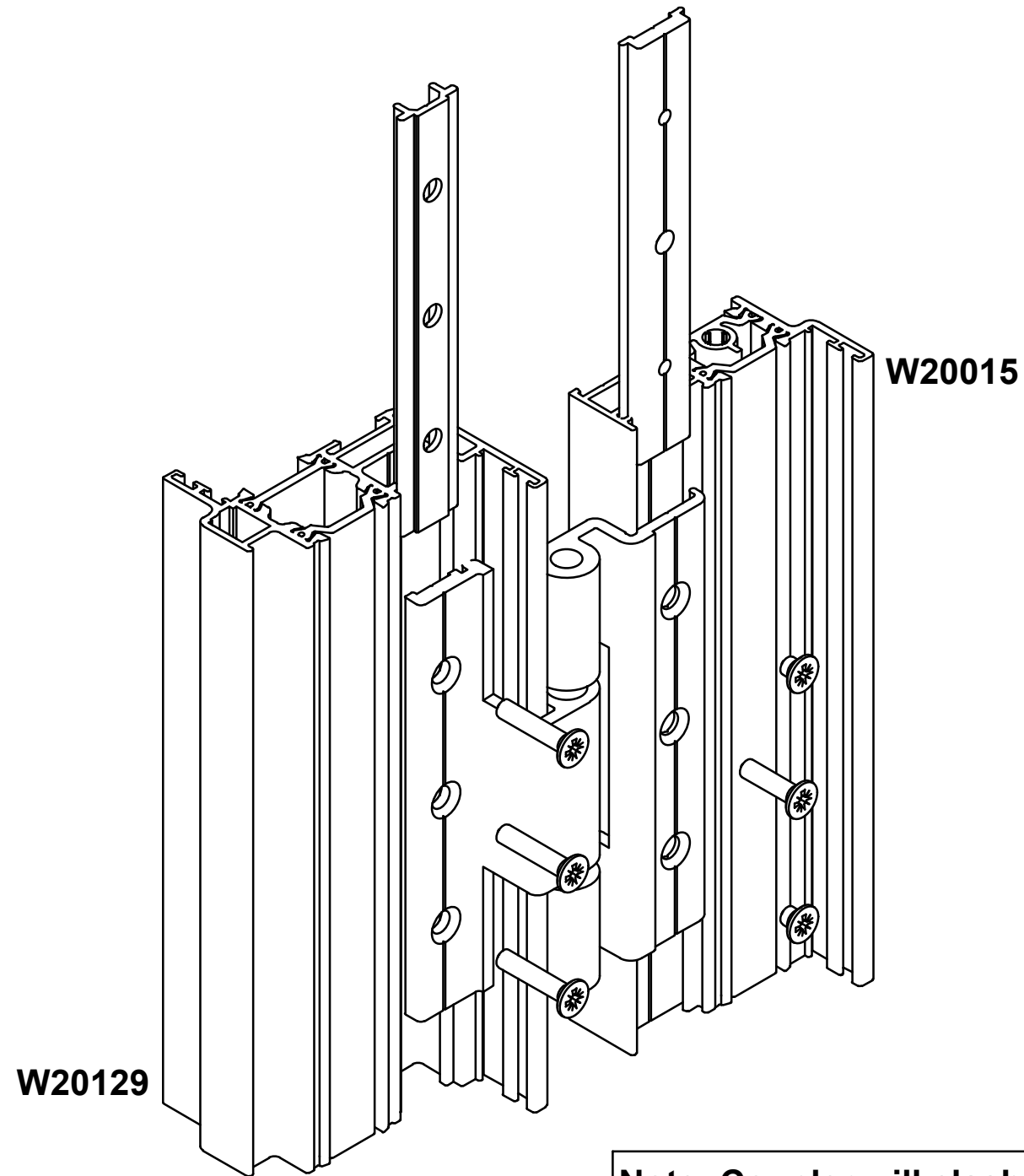
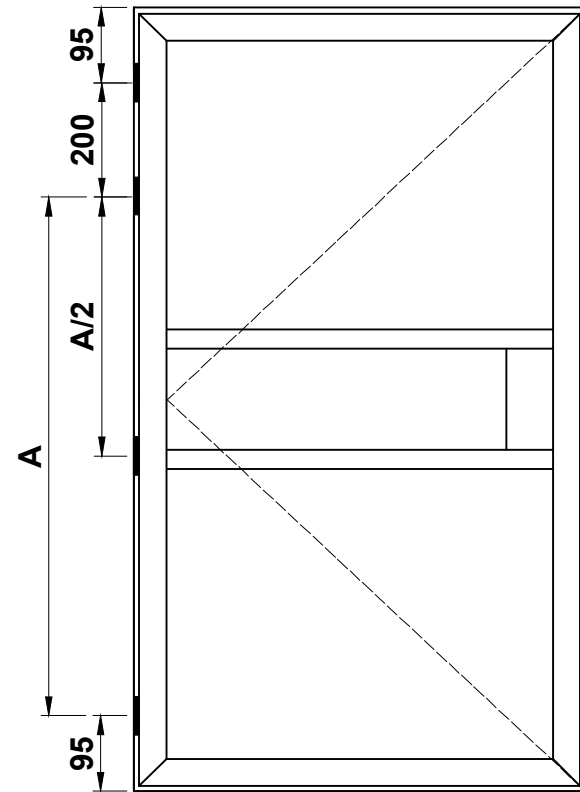
1. Slide Hinge Backplates into outerframe prior to crimping.
2. Locate each hinge in outerframe and clamp in position using 2No. M4 x 6mm Countersunk screws - supplied with ACW20164.
3. Fasten Hinge to Sash through the adaptor with 3No. M4 x 16mm Screws into the rivnuts - supplied with ACW20164
4. Once the sash requires no further adjustment fix the outerframe half of the hinge with 1 x No.8 x 16mm Pozi Csk Self Tapping screw.



Do Not Scale From This Drawing

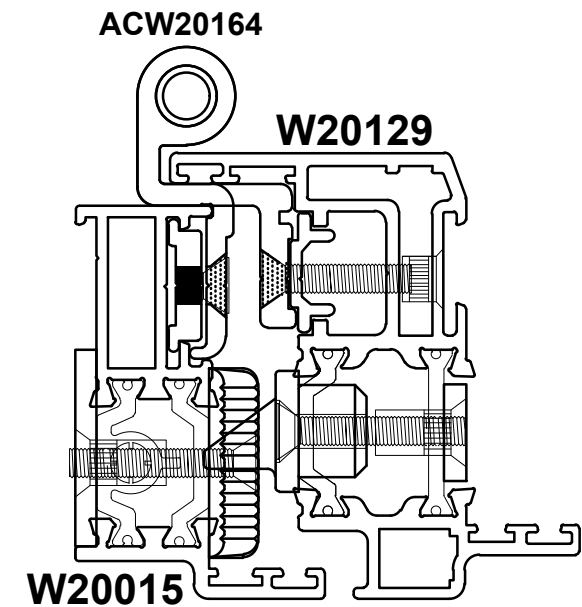
W20129 Open In Door Hinge Details (PAS24 Option)

Recommended hinge positions



Assembly Instructions

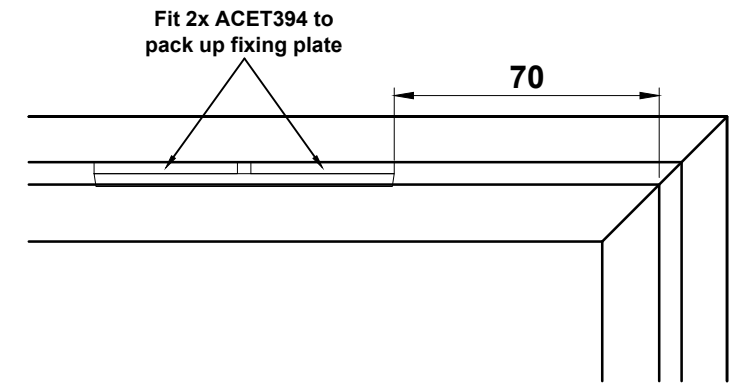
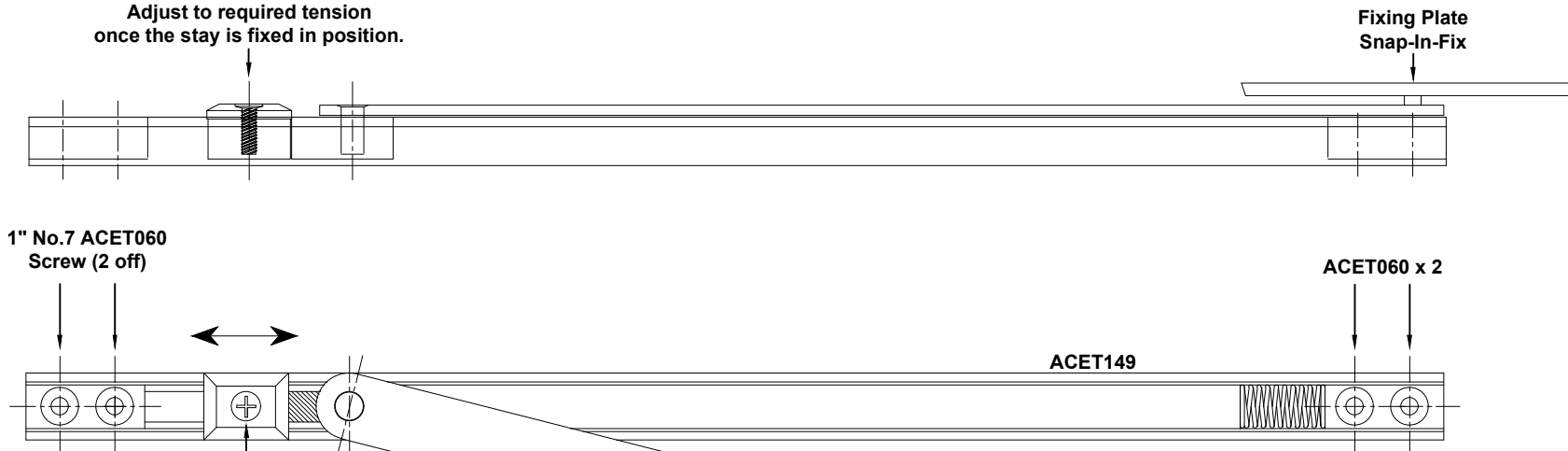
1. Slide hinge back plates into W20015 and W20129 before crimping.
2. Use the hinge to park the hole positions on W20129. Drill a 4.5mm clearance holes for M4 CSK machine screws. Fasten hinges to W20129 with M4 machine screws into fixing plate
3. Fit W20129 into W20015 then fasten hinge to outer frame fixing hinges to W20015 frame back plates.
4. Once W20129 requires no further adjustment fix through center hinge hole to dead fix.



Note: Coupler will clash with ACW20386 fixing plate

Open In 90° Restrictor Installation

Ensure friction screw is loose before fitting stay to door. Adjust to required tension once the stay is fixed in position.



1" No.7 ACET060 Screw (2 off)

Friction Screw

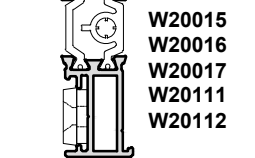
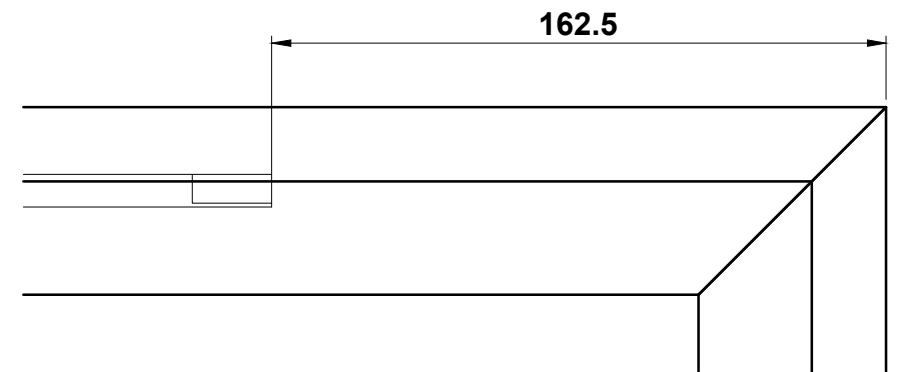
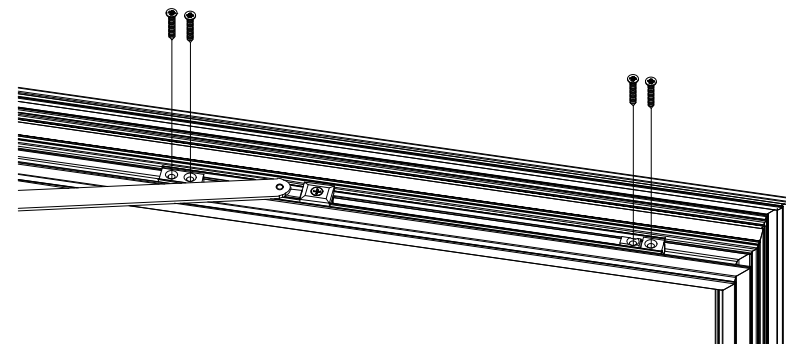
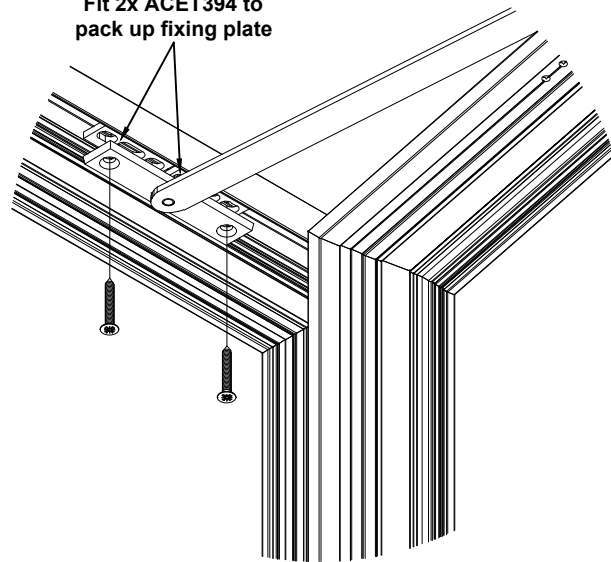
ACET060 x 2

Identification Registration

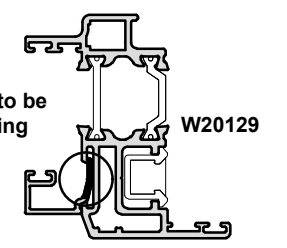
Fixing Plate Snap-in-fix

ACET060 x 2

Fit 2x ACET394 to pack up fixing plate



Note: bead will need to be notched around fixing



NOTE: ACET149 IS NOT COMPATIBLE WITH W20125N

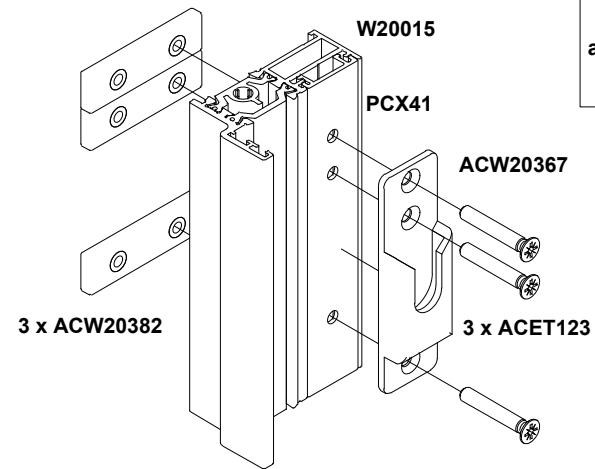
Do Not Scale From This Drawing

PAS24 Open In Single Door Full Requirements

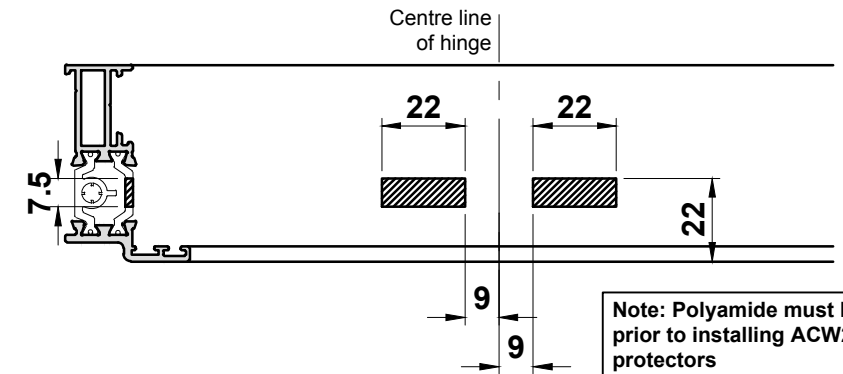
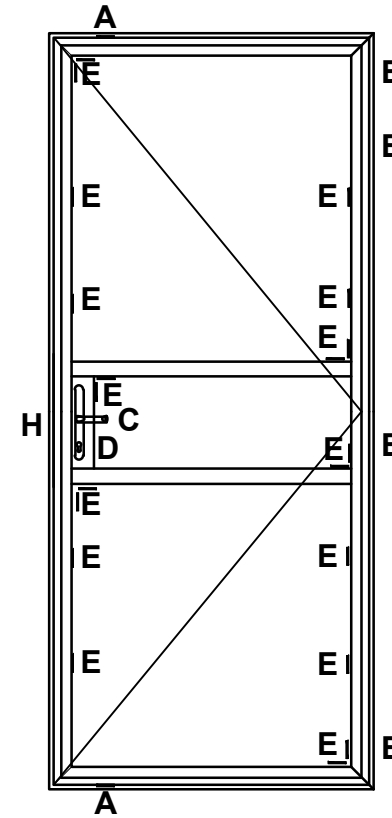
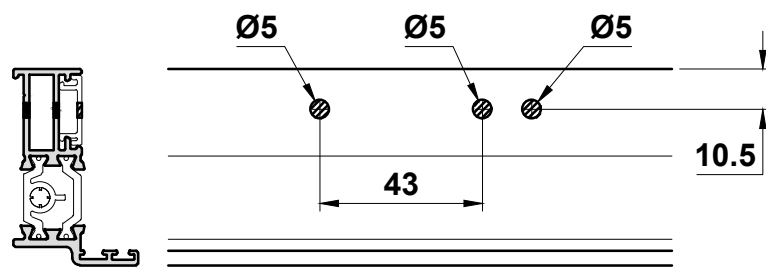
Single Door

Accessories Required to Achieve PAS24:2016

A	Guide Blocks	ACET380
B	Hinges/Hinge Protectors	ACW20164/ACW20375
C	Lever/Lever Handle	ACSM001N
D	Cylinder	ACCY4525NKTTS3
E	Glass Packer Positions	
	Centre Keep	ACW20166
	Roller Keep	ACW20367
	Lock	ACW20465

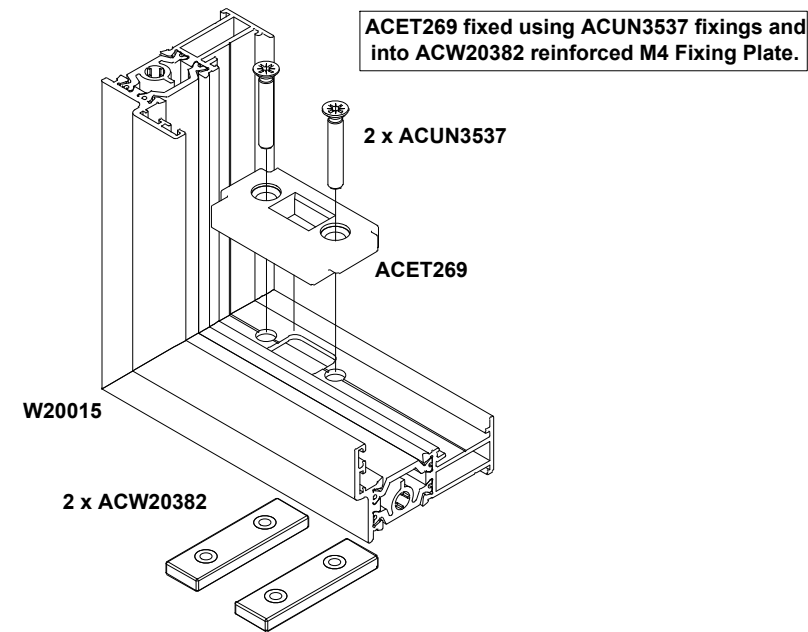


ACW20367 Roller Keep to be fixed through PCX41 and both skins of aluminum using ACET123 fixings and into ACW20382 reinforced M4 Fixing Plate.

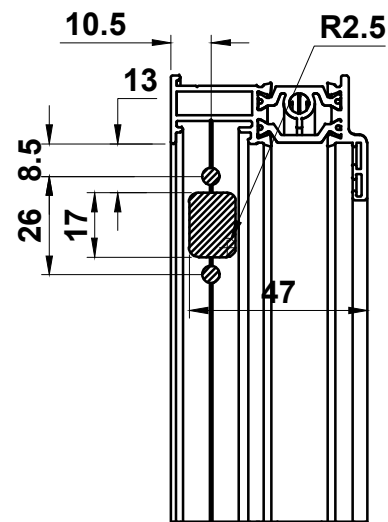


Note: Polyamide must be routed out prior to installing ACW20375 hinge protectors

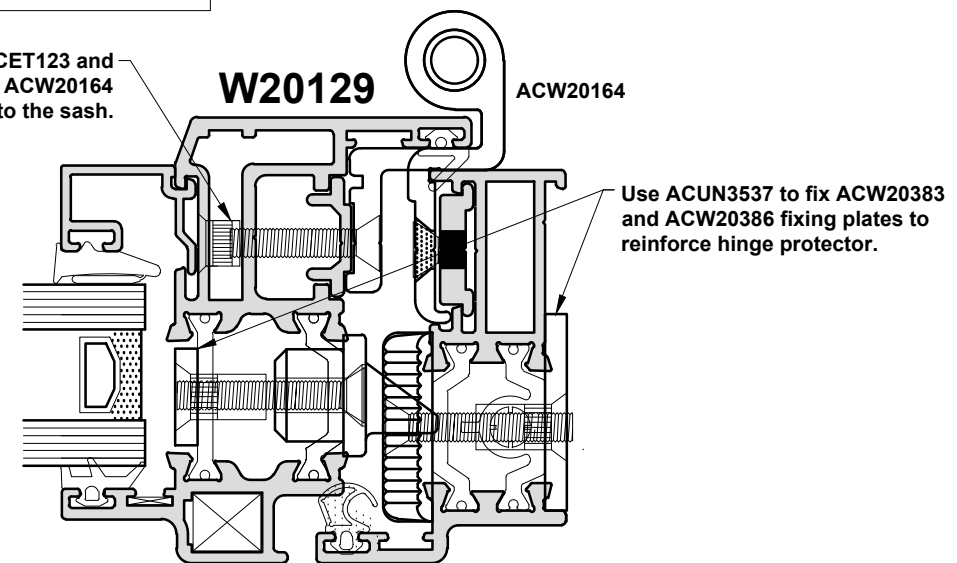
Refer back to Section C for details of sections



ACET269 fixed using ACUN3537 fixings and into ACW20382 reinforced M4 Fixing Plate.

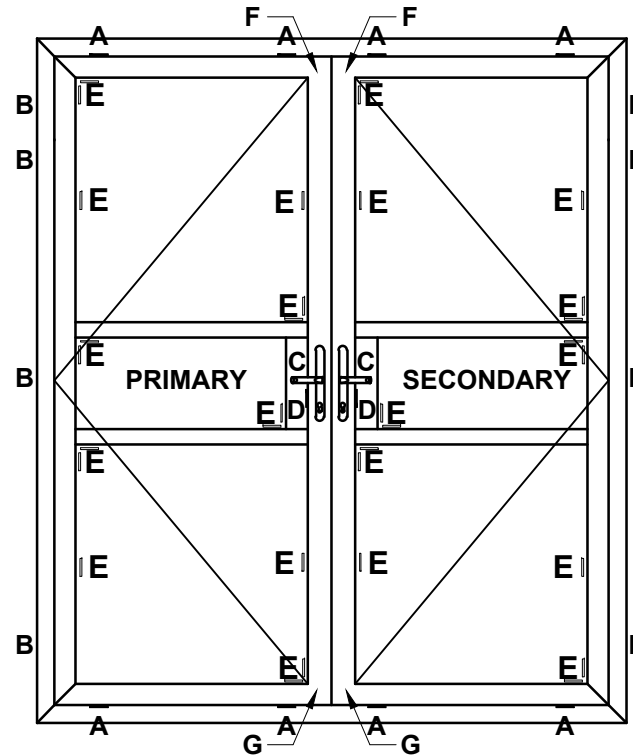
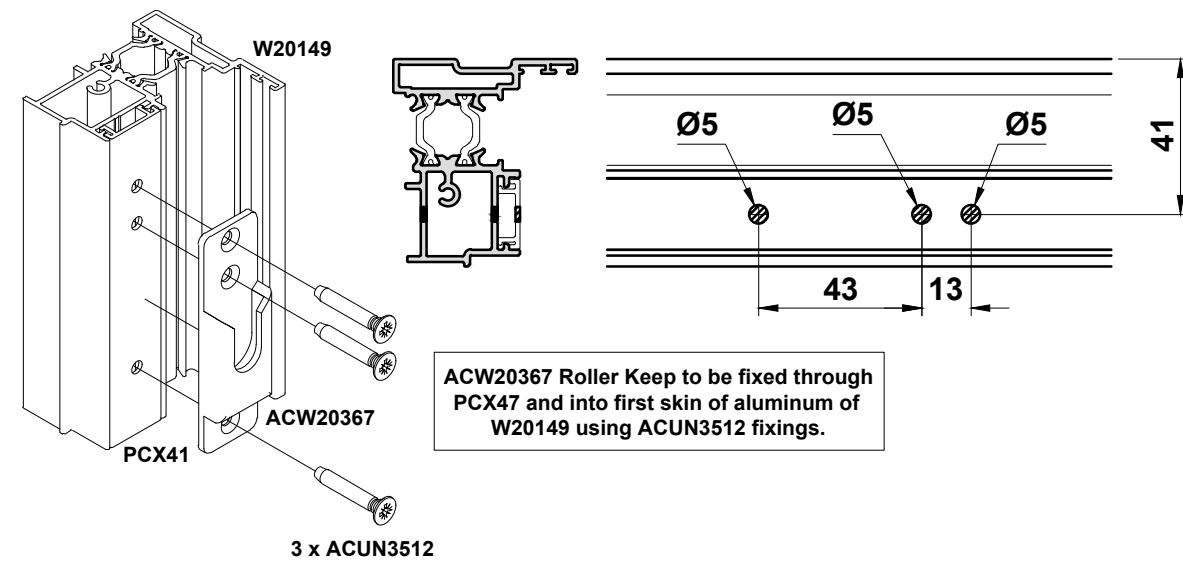


Use with ACET123 and ACUN3532 to fix ACW20164 to the sash.



Use ACUN3537 to fix ACW20383 and ACW20386 fixing plates to reinforce hinge protector.

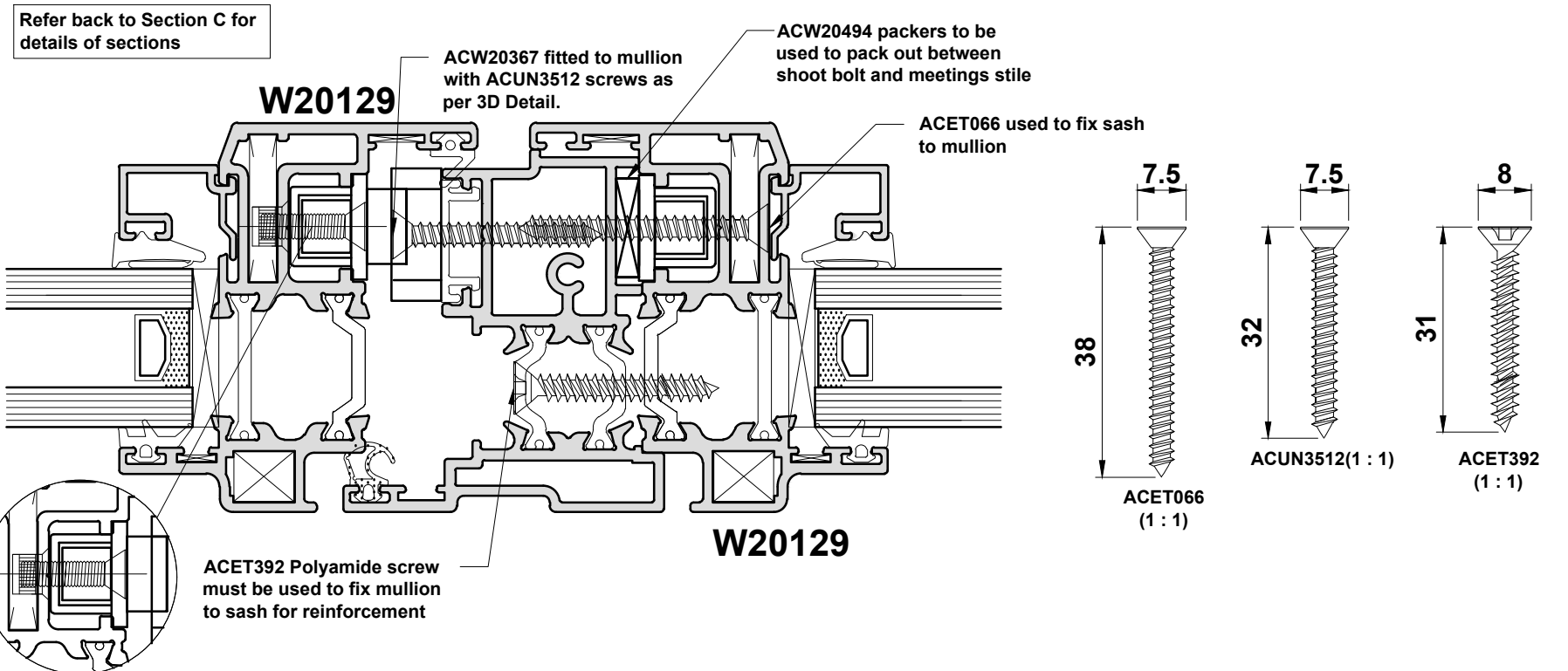
PAS24 Open In Double Door Full Requirements



Double Door
Accessories Required to Achieve PAS24:2016

A	Guide Blocks	ACET380
B	Hinges/Hinge Protector	ACW20164/ACW20375
C	Lever/Lever Handle	ACSM001N
D	Cylinder	ACCY4525NKTTTS3
E	Glass Packer Positions	
F	Top Shootbolt/Keep	ACDV738/ACW20385
G	Bottom Shootbolt/Keep	ACDV737/ACW20385
	Centre Keep	ACW20166
	Roller Keep	ACW20367
	Primary Lock	ACW20465
	Secondary Lock	ACW20466

Note: Please see single door PAS24 page to see preparation for the hinge side of the double door.



Do Not Scale From This Drawing



Construction Drawings

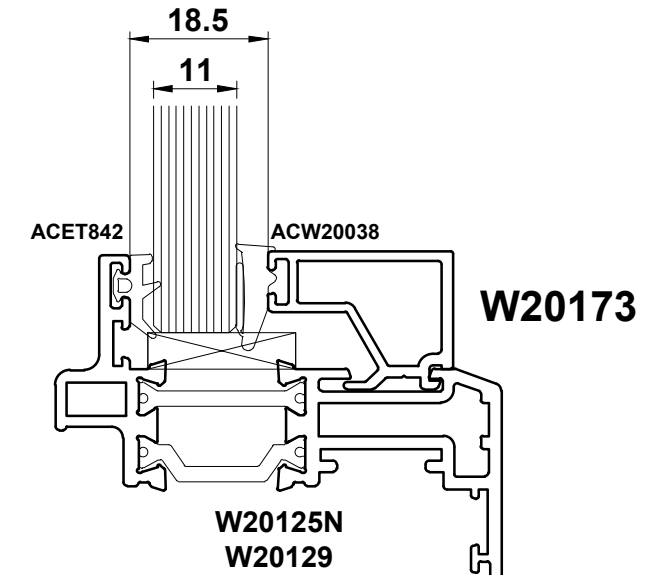
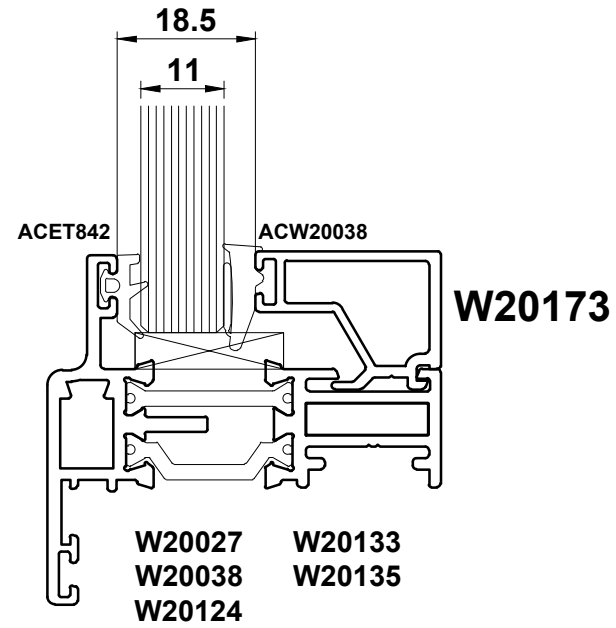
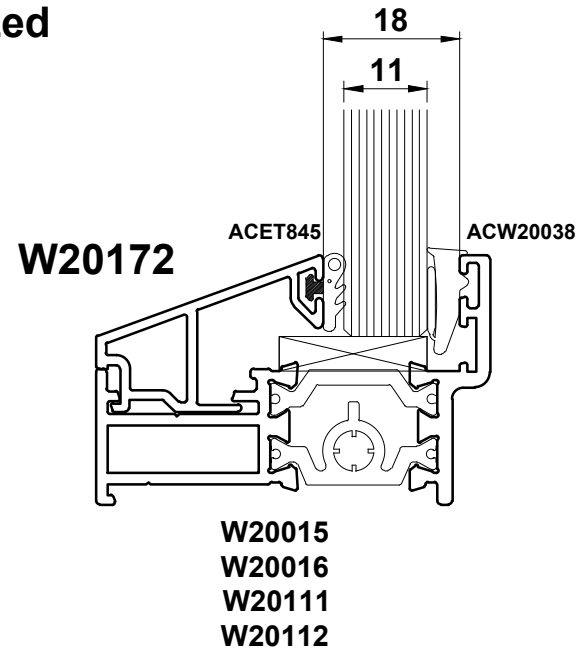
Glazing Chart.....	E45 - E48
W20015 Bay Pole Details.....	E49
W20017 Bay Pole Details.....	E50
Fixing Strap Guide.....	E51

Do Not Scale From This Drawing

Glazing Chart

11mm Glazing

Gasket Glazed

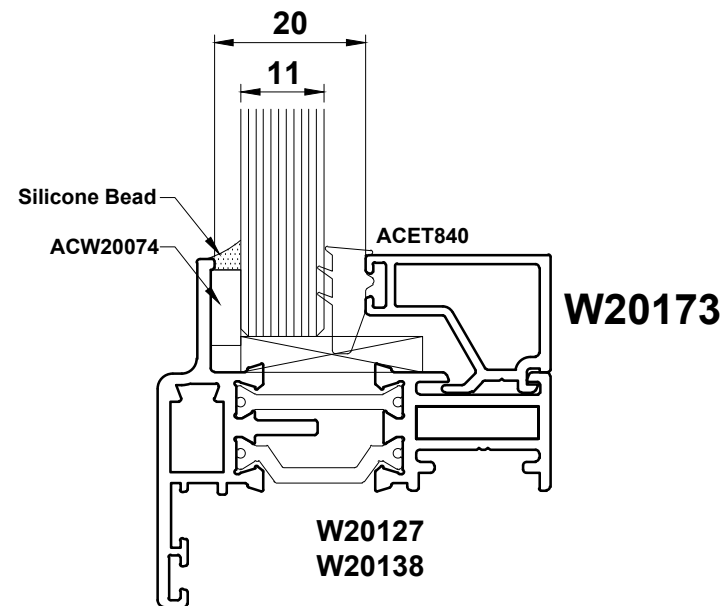


11mm Glazing

Tape Glazed

Important Notes:

- Glazing tape must be coated with silicone after installation
- Tape glazing is only available for the sections shown to the right

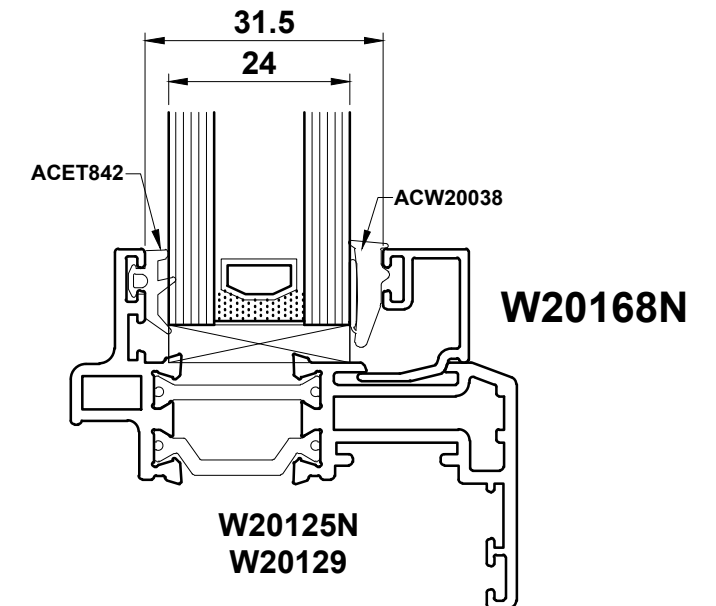
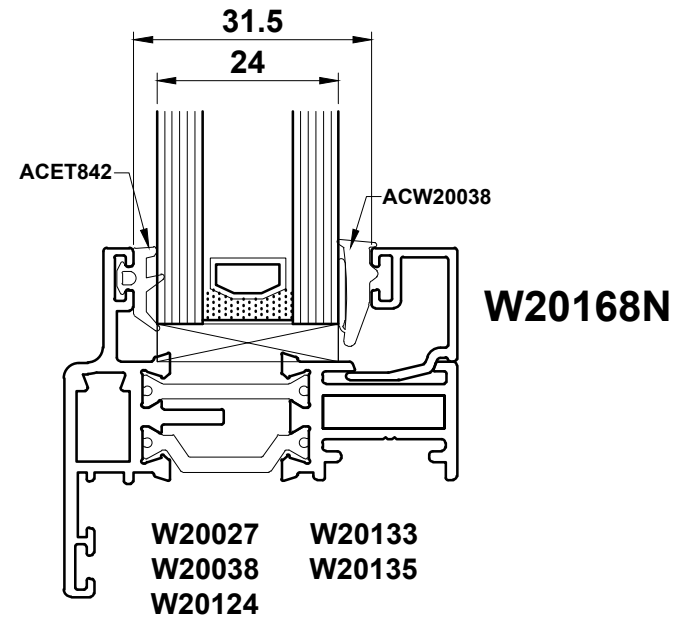
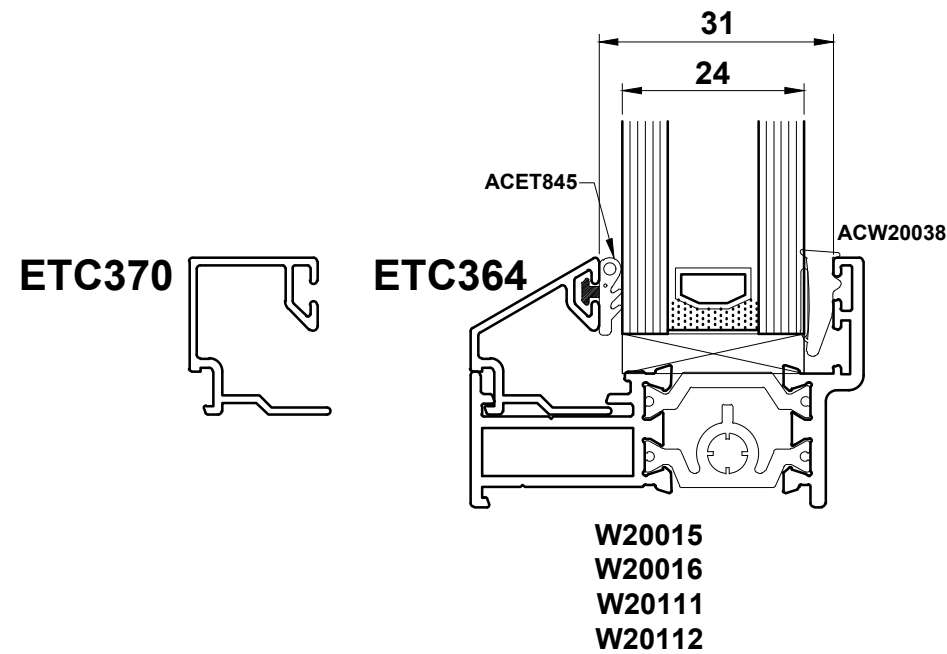


Do Not Scale From This Drawing

Glazing Chart

24mm Glazing

Gasket Glazed

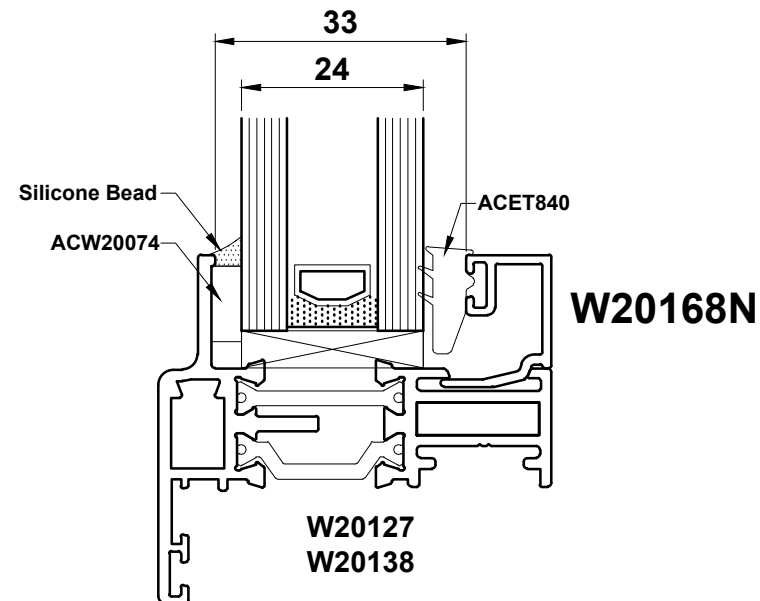


24mm Glazing

Tape Glazed

Important Notes:

- Glazing tape must be coated with silicone after installation
- Tape glazing is only available for the sections shown to the right



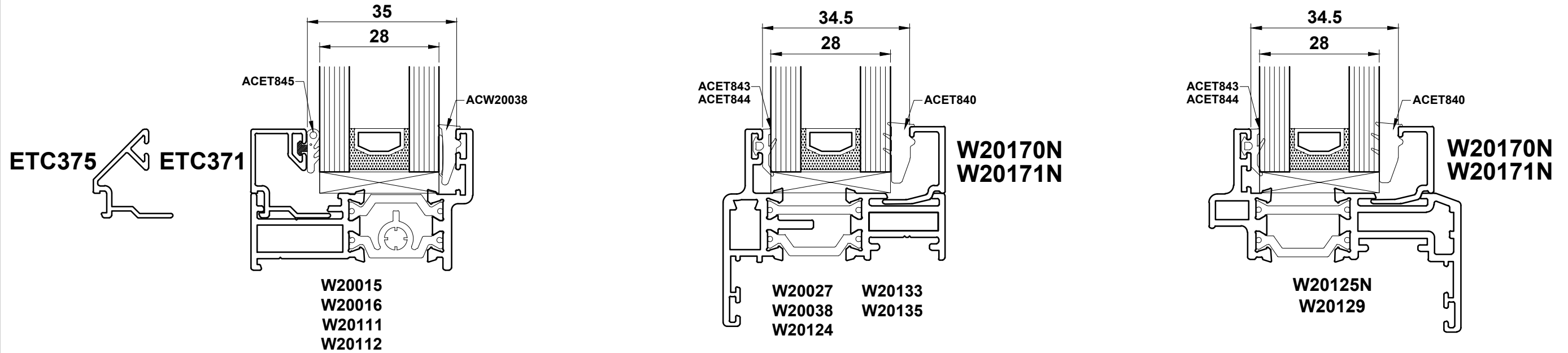
We recommend the use of Black Spacer Bar in the sealed units

Do Not Scale From This Drawing

Glazing Chart

28mm Glazing

Gasket Glazed

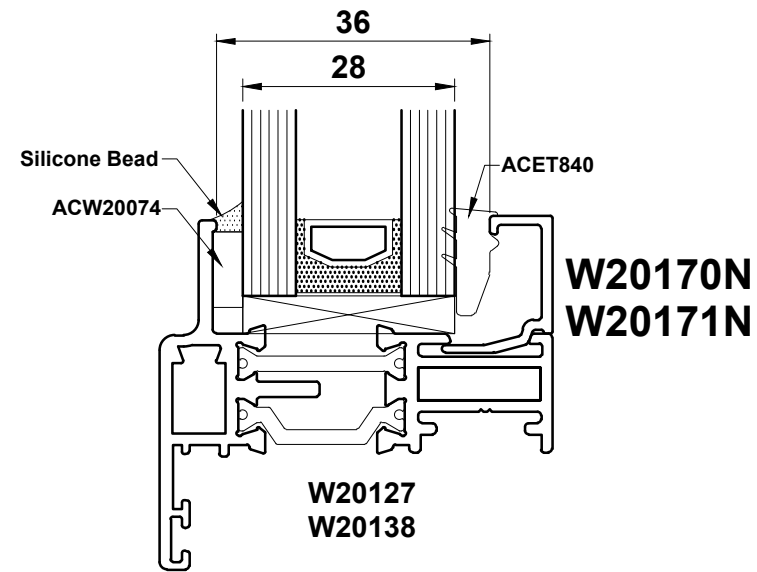


28mm Glazing

Tape Glazed

Important Notes:

- Glazing tape must be coated with silicone after installation
- Tape glazing is only available for the sections shown to the right

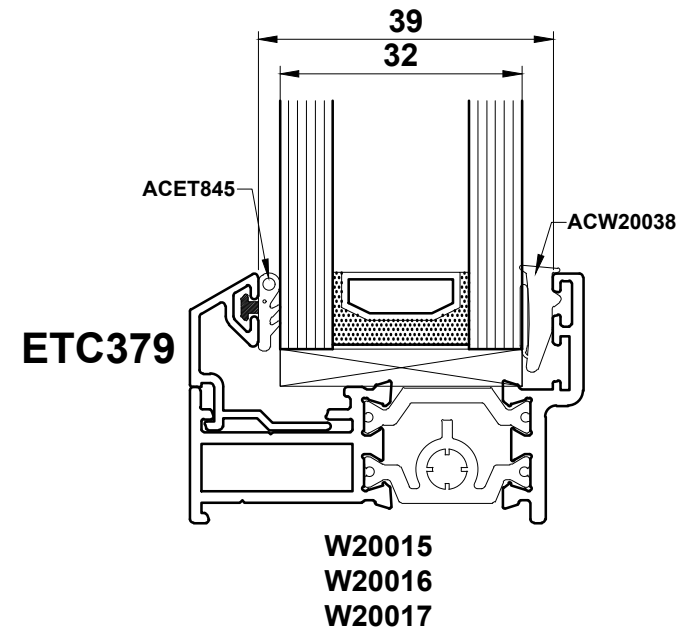


Do Not Scale From This Drawing

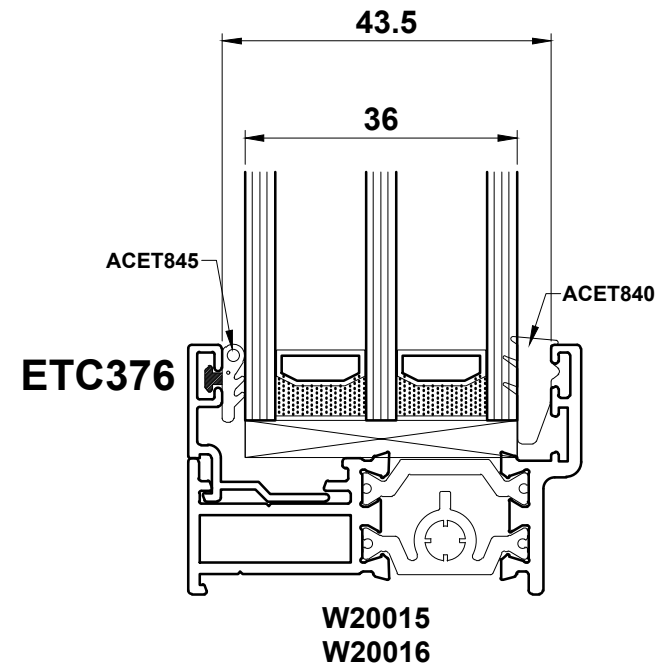
Glazing Chart

32mm Glazing
Gasket Glazed

Important Note: 32mm & 36mm glazing is compatible with the below sections only.



36mm Glazing
Gasket Glazed

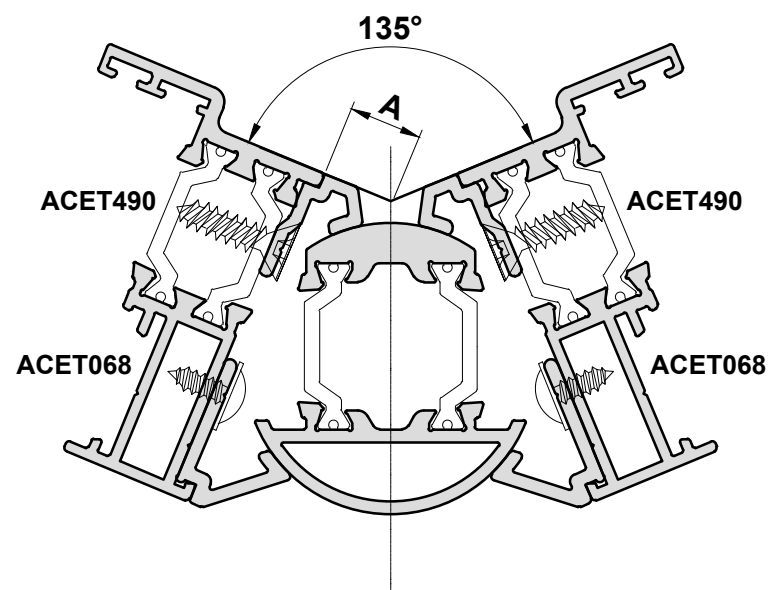
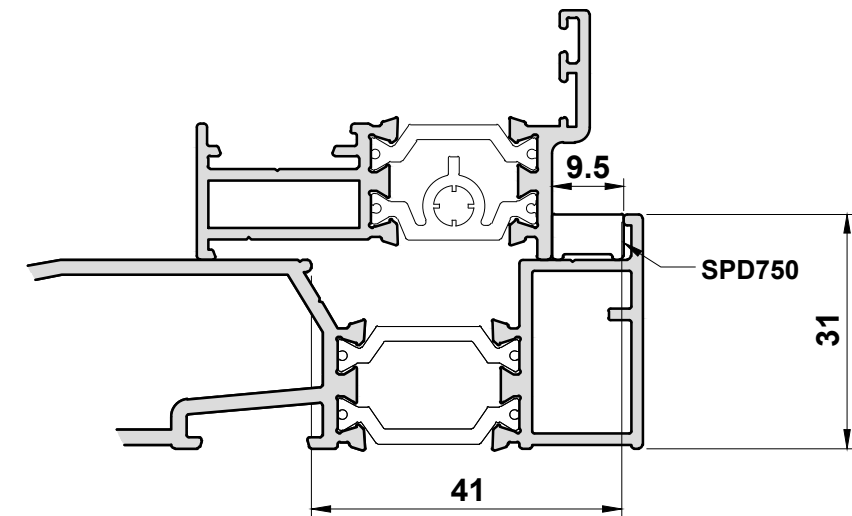
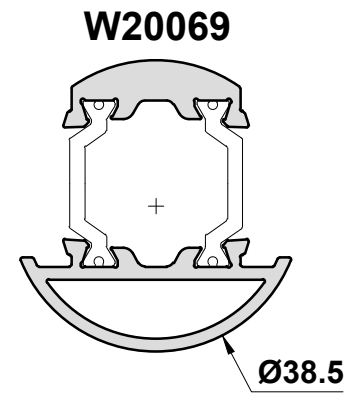
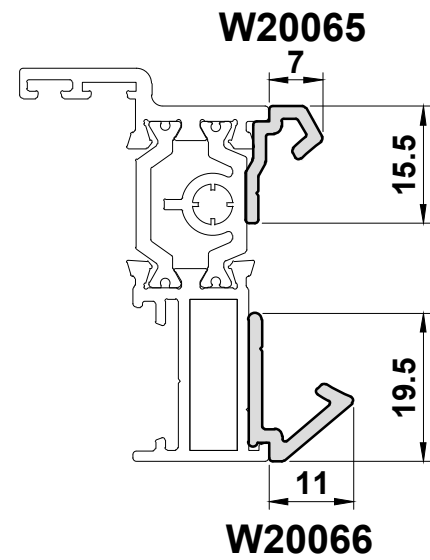


We recommend the use of Black Spacer Bar in the sealed units

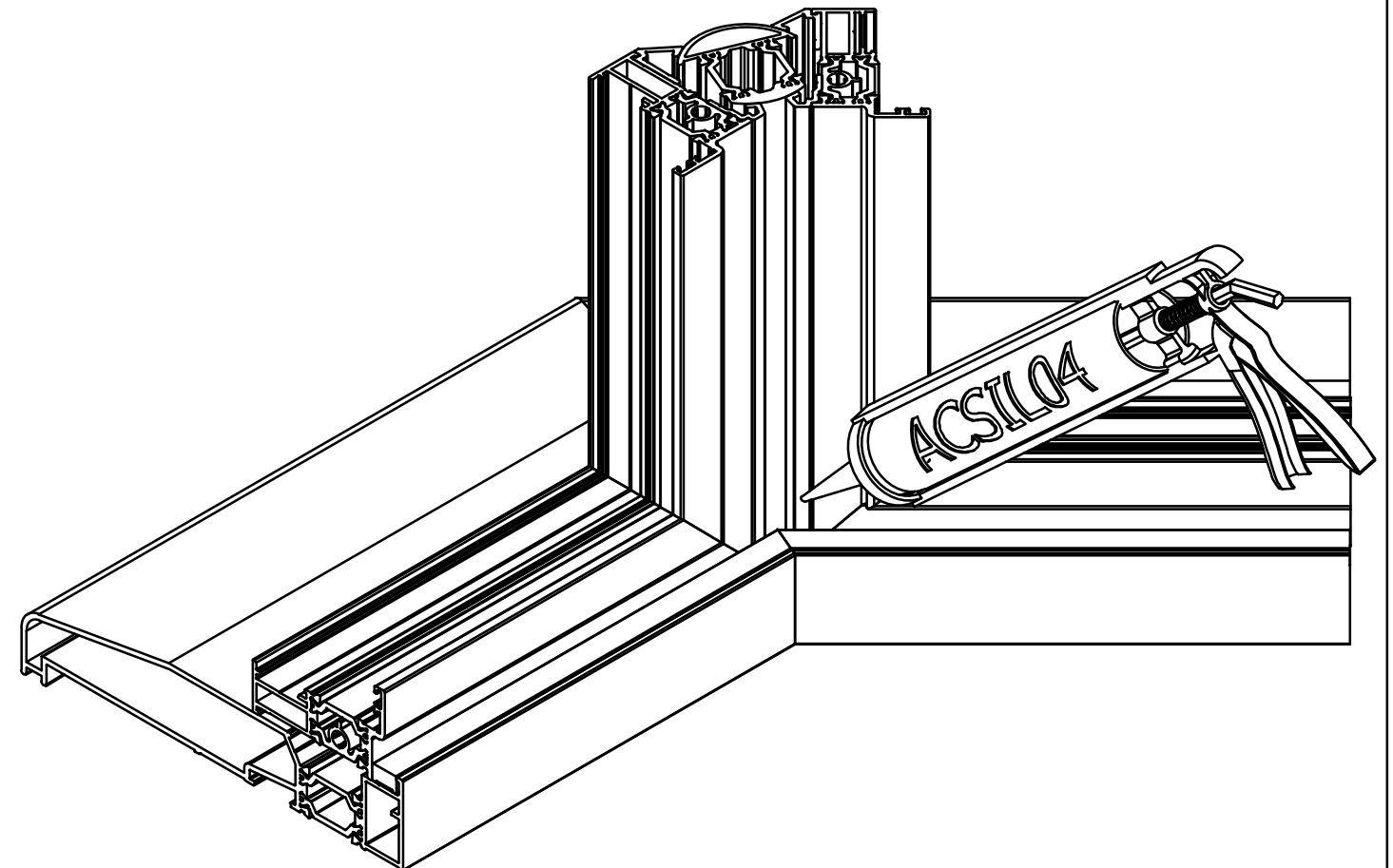
Do Not Scale From This Drawing

W20015 Bay Pole Selection

When using W20069 on a cill, we recommend using SPD750 infill to position the assembly forward over the drainage channel.

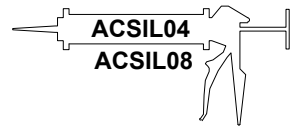
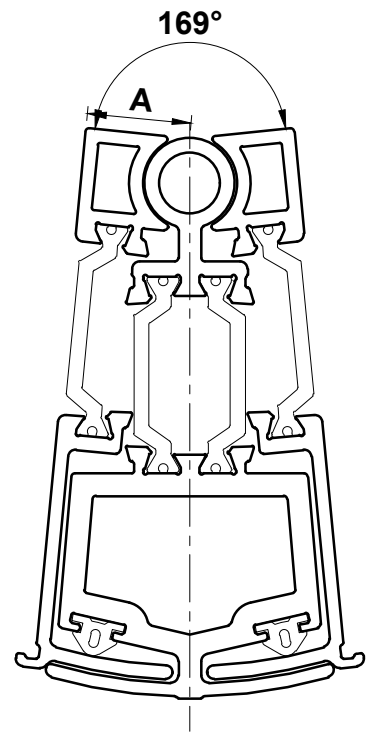


ANGLE	DEDUCTION 'A'
180°	18
175°	17
170°	16
165°	15.5
160°	14.5
155°	13.5
150°	12.5
145°	11.5
140°	10.5
135°	9.5
130°	8.5
125°	7.5
120°	6.5
115°	5



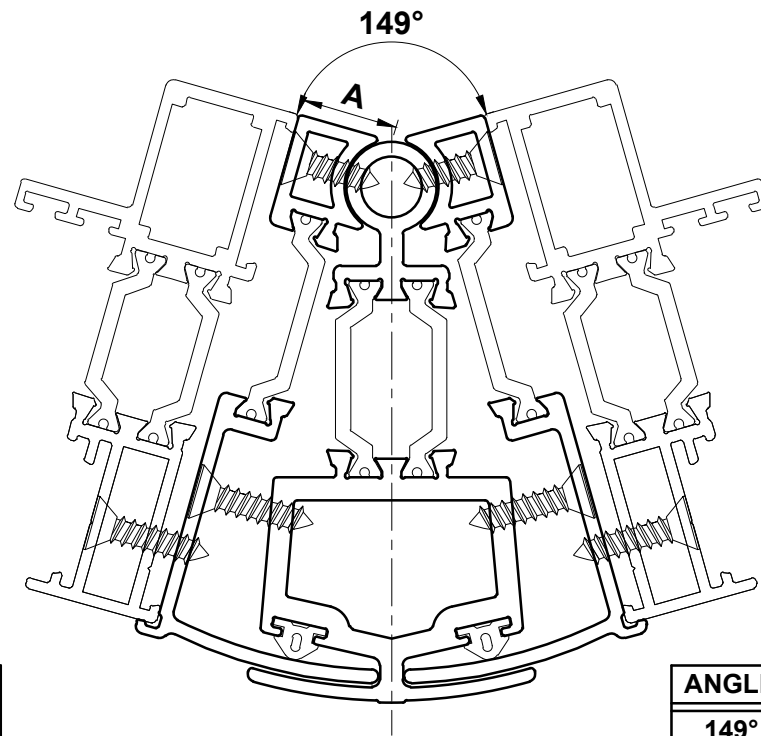
Do Not Scale From This Drawing

W20017 Bay Pole Selection

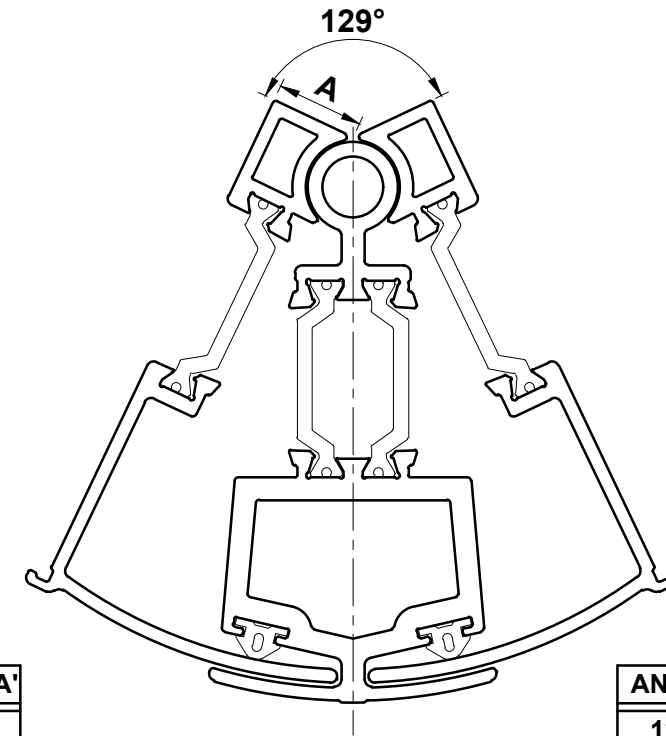


Important Note:
All joints must be adequately sealed using ACSIL04

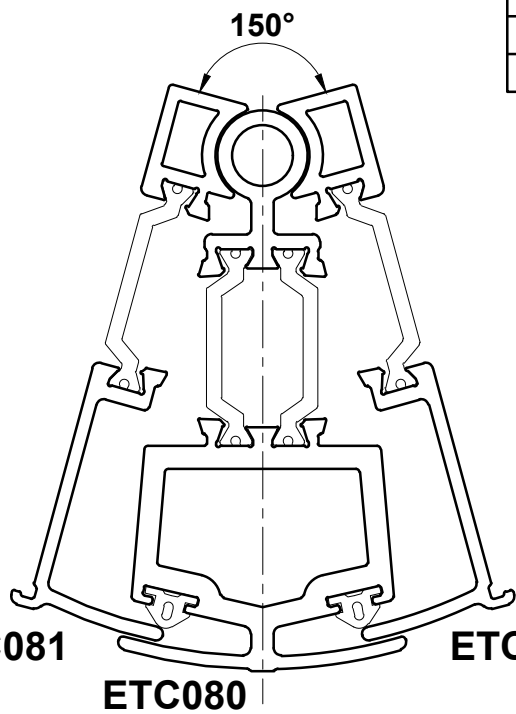
ANGLE	DEDUCTION 'A'
169°	14
165°	13.5
160°	13.6
155°	13
150°	13



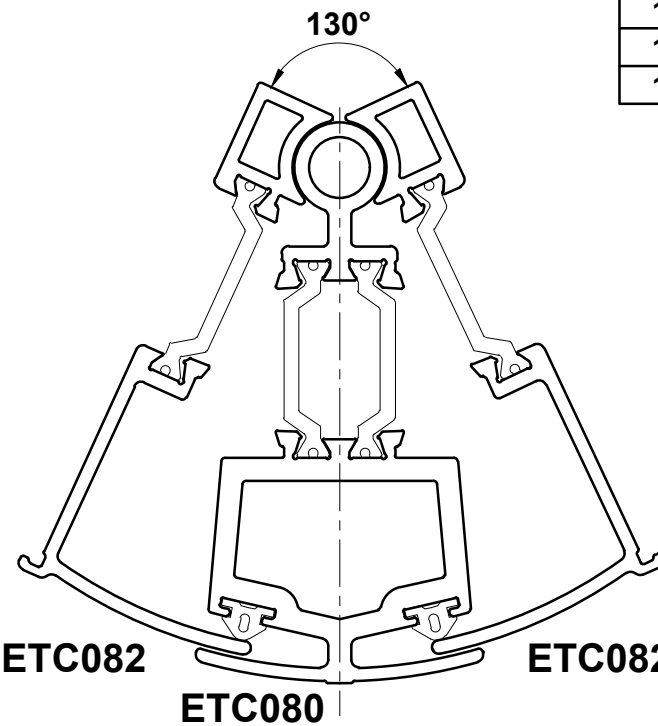
ANGLE	DEDUCTION 'A'
149°	12.5
145°	12.5
140°	12
135°	12
130°	11.5



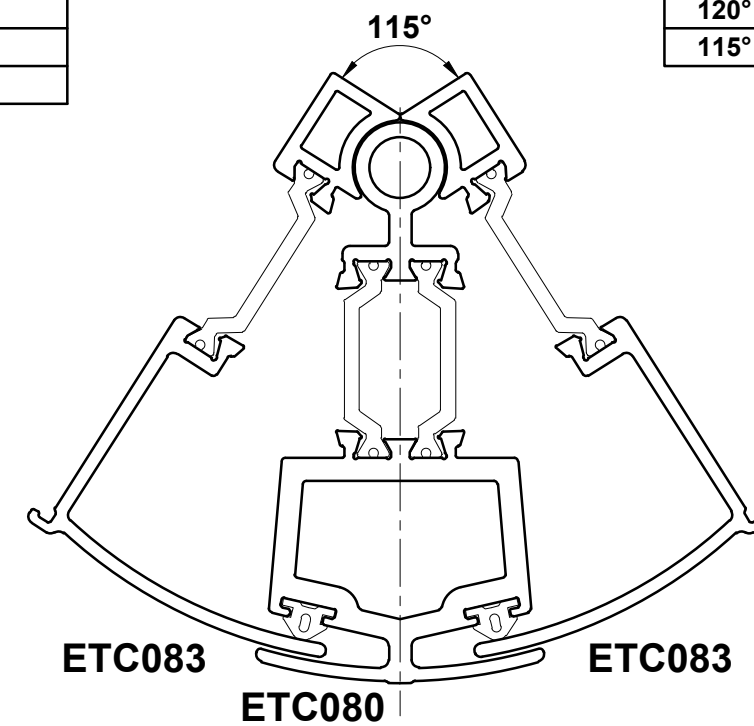
ANGLE	DEDUCTION 'A'
129°	11.5
125°	11.5
120°	11
115°	10.5



ETC081 ETC081
ETC080



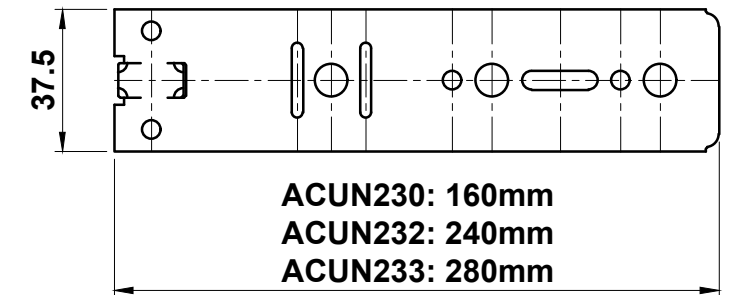
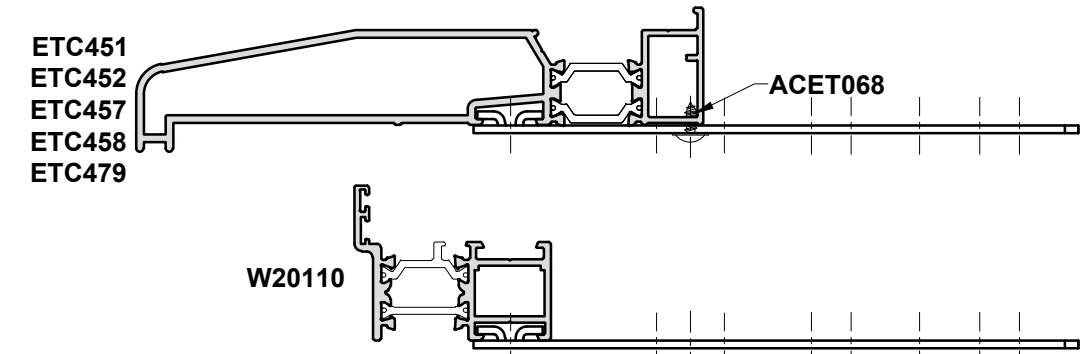
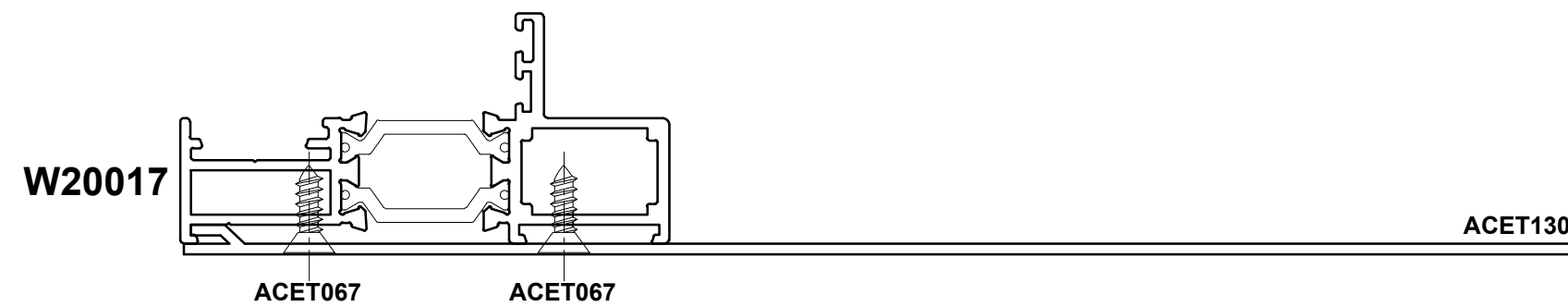
ETC082 ETC082
ETC080



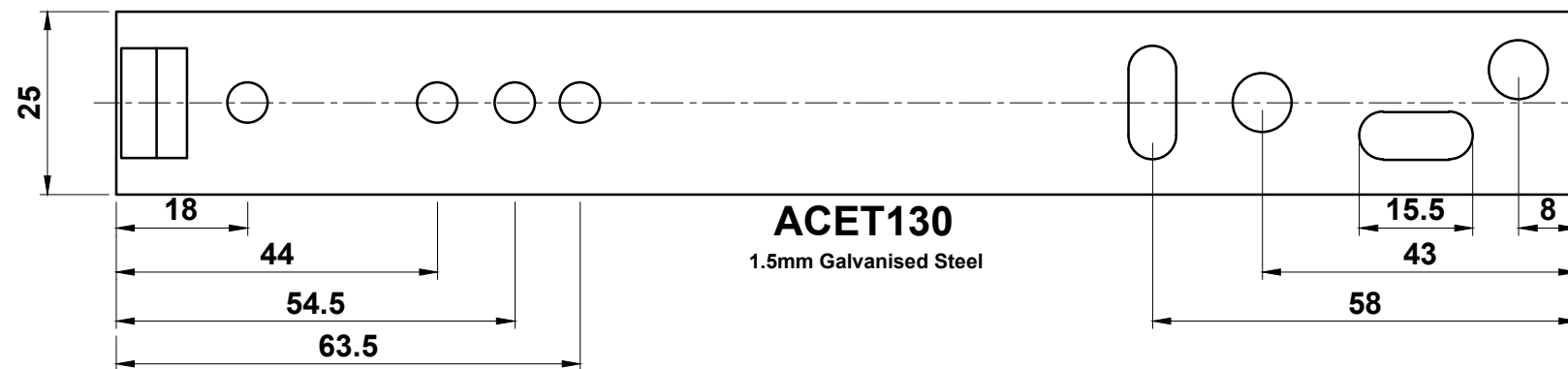
ETC083 ETC083
ETC080

Do Not Scale From This Drawing

Fixing Strap Guide



NOTE:
Fixing straps should be spaced a minimum of 150mm in from each end & at a maximum of 300mm apart.



Do Not Scale From This Drawing



Section F



Sawing Table

Open Out Single Door.....	F03 - F04
Open Out Double Door.....	F05 - F06
Open In Single Door.....	F07 - F08
Open In Double Door.....	F09 - F10
PAS24 Open Out Single Door.....	F11 - F13
PAS24 Open Out Double Door.....	F14 - F15
PAS24 Open In Single Door.....	F16 - F17
PAS24 Open In Double Door.....	F18 - F19

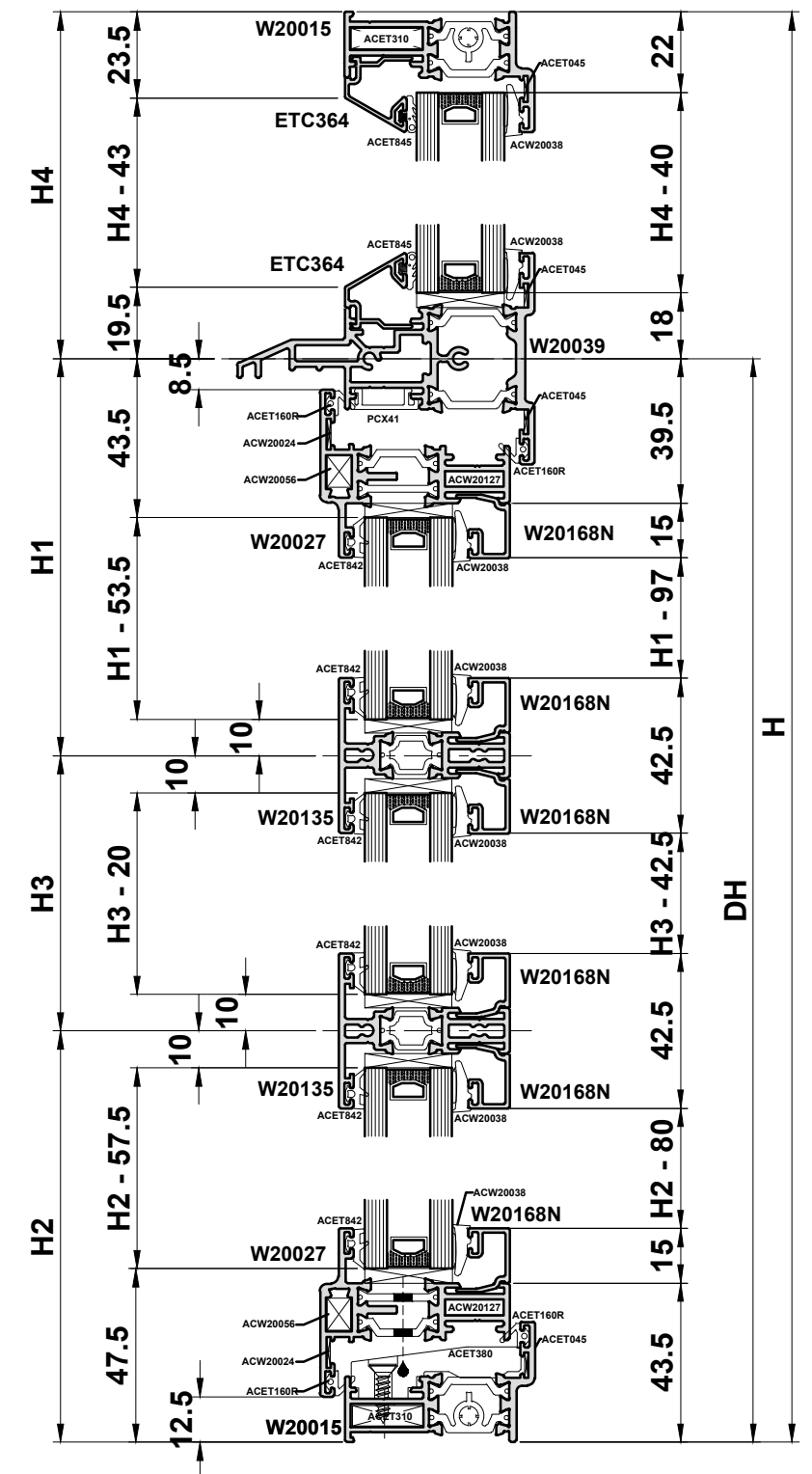
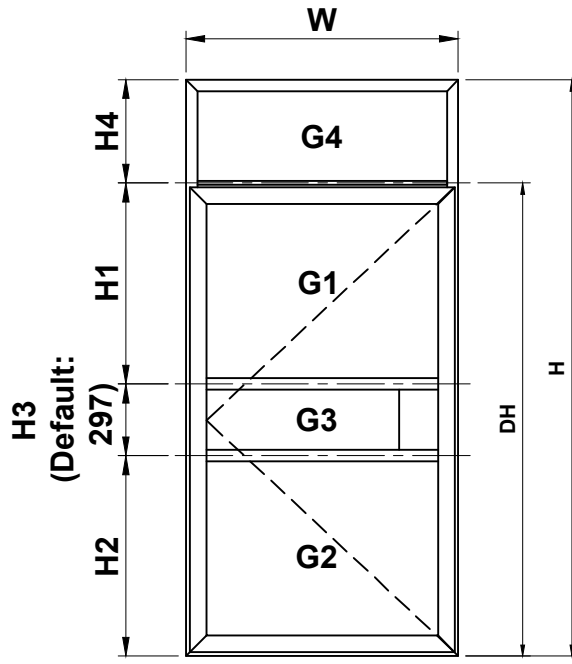
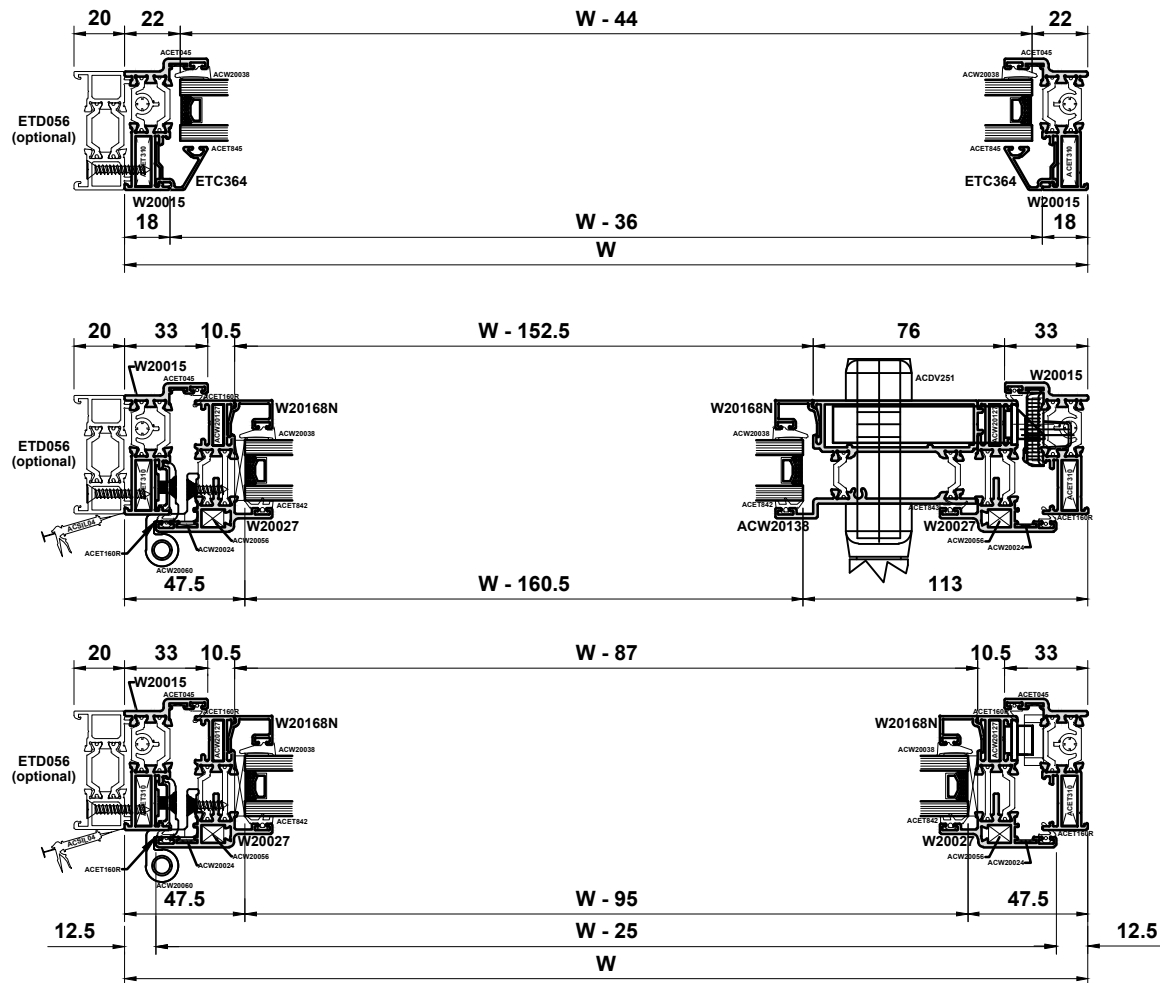
Section F

Cutting Information - Open Out Single Door

Profiles		Accessories	
W20015		2	H
W20015		2	W
W20027		2	W - 25
W20027		2	DH - 21
W20135		2	W - 87
W20168N		4	W - 87
W20168N		2	W - 152.5
W20168N		2	H1 - 80
W20168N		2	H2 - 80
W20168N		2	H3 - 43
W20039		1	W - 36
ETC364		2	W - 36
ETC364		2	H4 - 43
ACW20138		1	285
PCX41		2	W - 36
PCX41		2	DH - 26.5

Accessories		ACCY4525NKTT3			
ACCY4525NKTT3	Cylinder	1	ACW20065	Multi-Point Lock	1
ACET045	S/S Chevron	4	ACW20066L/R	Centre Keep	1
ACET066	Transom/Mullion Screw	14	ACW20067	Roller Keeps	4
ACET067	S/S CSK S/T Screw	15	ACW20127	Vent Frame Cleats	4
ACET160R	Outer Frame Seal	2(W-60) + 2(H-60)	ACW20160	Outerframe Screw	4
ACET160R	Vent Frame Seal	2(W-25) + 2(H-25)	ACET845	Low Line Gasket	2W + 2H4
ACET310	Outer Frame Cleats	4	Glass		
ACET380	Run Up Block	1	G1	1 x	W - 95 x H1 - 53.5
ACET390	Polyamide Screw	8	G2	1 x	W - 95 x H2 - 57.5
ACET842	E Gasket	6(W-95) + 2(H-95)	G3	1 x	W - 160.5 x H3 - 20
ACGSL045	Drainage Cap	2	G4	1 x	W - 44 x H4 - 40
ACSM001N	Door Handle	1 Pair			
ACW20024	S/S Chevron	4			
ACW20038	Wedge Gasket	6(W-95) + 2(H-95)			
ACW20056	Vent Frame Cleats	4			
ACW20060	Butt Hinge	4			

Glass		
G1	1 x	W - 95 x H1 - 53.5
G2	1 x	W - 95 x H2 - 57.5
G3	1 x	W - 160.5 x H3 - 20
G4	1 x	W - 44 x H4 - 40



Do Not Scale From This Drawing

Cutting Information - Open Out Double Door

Profiles

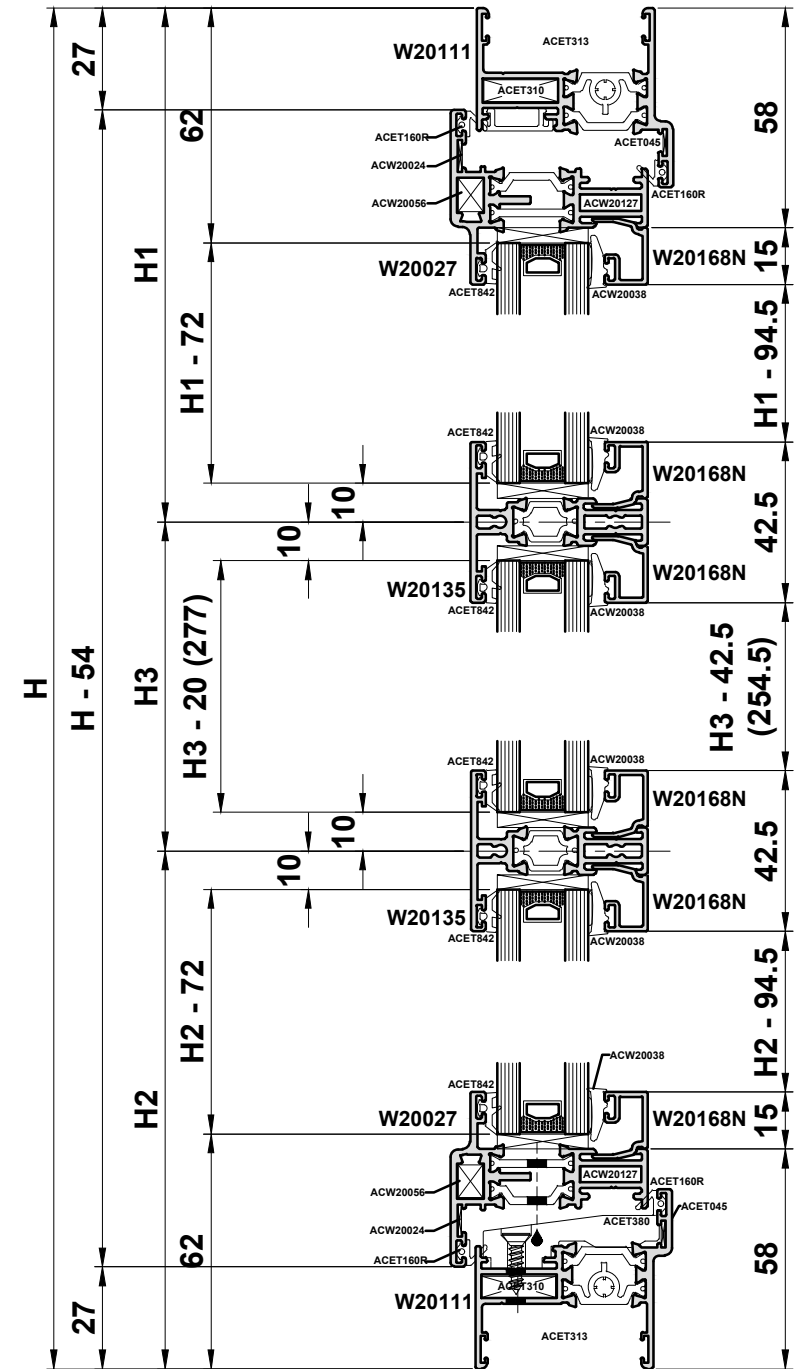
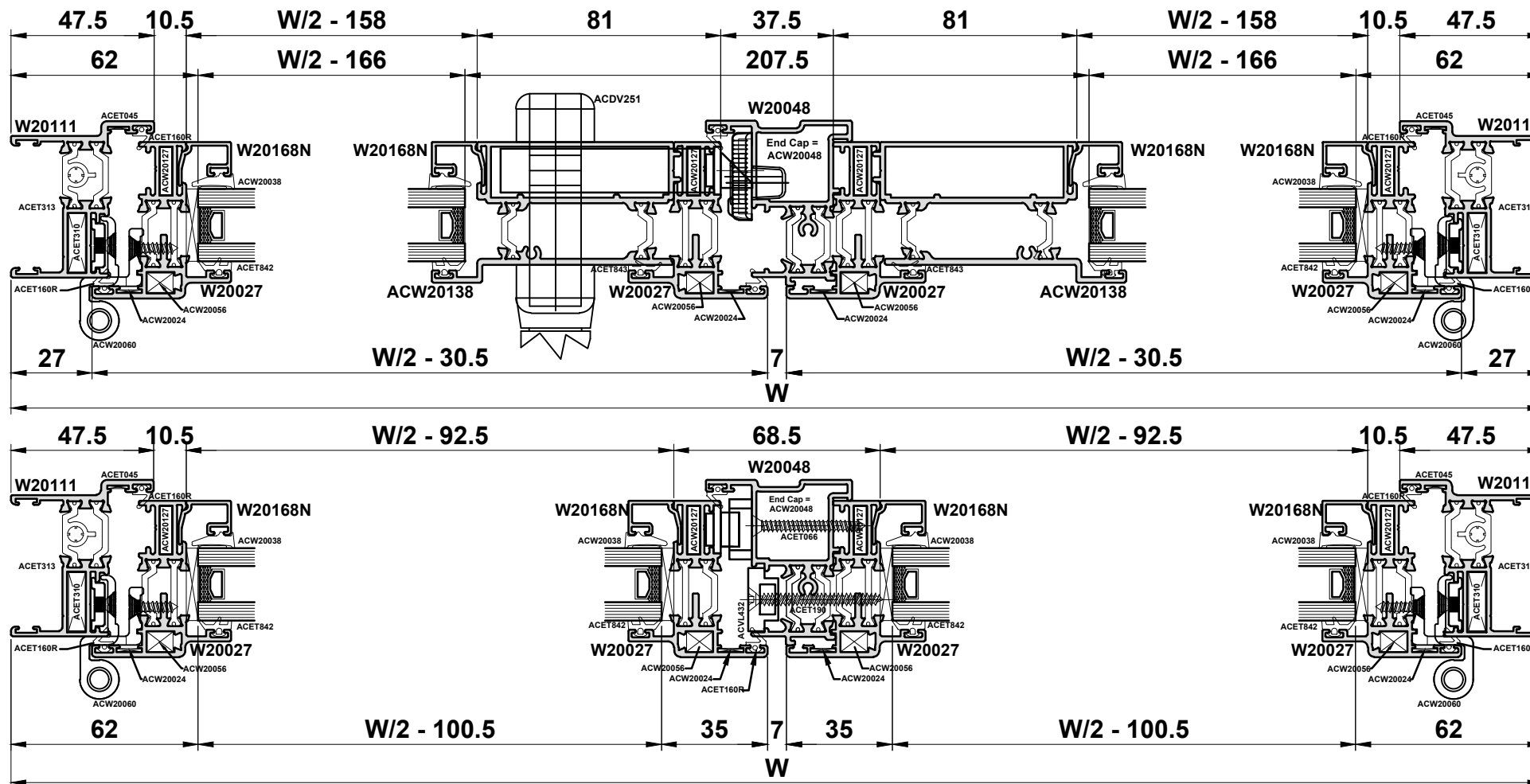
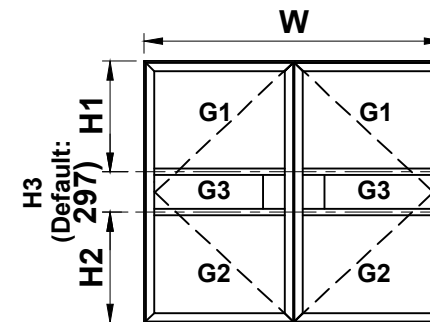
W20111	2		H
W20111	2		W
W20027	4		W/2 - 30.5
W20027	4		H - 54
W20135	4		W/2 - 92.5
W20048	1		H - 83
W20168N	8		W/2 - 92.5
W20168N	4		W/2 - 158
W20168N	4		H1 - 94.5
W20168N	4		H2 - 94.5
W20168N	4		H3 - 42.5
ACW20138	2		285
PCX41	2		W - 54
PCX41	2		H - 54
PCX49	1		H - 83

Accessories

ACCY4525NKTT33	Cylinder	1	ACW20066L/R	Centre Keep	1
ACET045	Chevrons	4	ACW20067	Roller Keeps	4
ACET066	Transom/Mullion Screw	20	ACVL432	Shootbolt	2
ACET067	S/S CSK S/T Screw	15	ACW20127	Vent Frame Cleats	8
ACET160R	Outer Frame Seal	2(W-60) + 4(H-60)	ACW20160	Outer Frame Screw	4
ACET160R	Vent Frame Seal	4(W/2-16) + 2(H-25)	ACW20432	Shoot Bolt Keeps	2
ACET310	Outer Frame Cleats	4	ACET313	Outerframe Foam	2H + 2W
ACET380	Run up Block	2	ACET843	Seal	H3 x 2
ACET390	Polyamide Screw	8			
ACET842	E Gasket	6(W/2-85) + 4(H-95)			
ACGSL045	Drainage Caps	2			
ACSM001N	Door Handle	1 Pair			
ACSM025L/R	Dummy Door Handle	1 Pair			
ACW20024	Chevrons	8			
ACW20038	Wedge Gasket	6(W/2-85) + 4(H-95)			
ACW20048	W20048 End Cap	1 Pair			
ACW20056	Vent Frame Cleats	8			
ACW20060	Hinge	8			
ACW20065	Multi-Point Lock	1			

Glass

G1	2 x	W/2 - 100.5 x H1 - 72
G2	2 x	W/2 - 100.5 x H2 - 72
G3	2 x	W/2 - 166 x H3 - 20



Do Not Scale From This Drawing

Cutting Information - Open In Single Door

Profiles

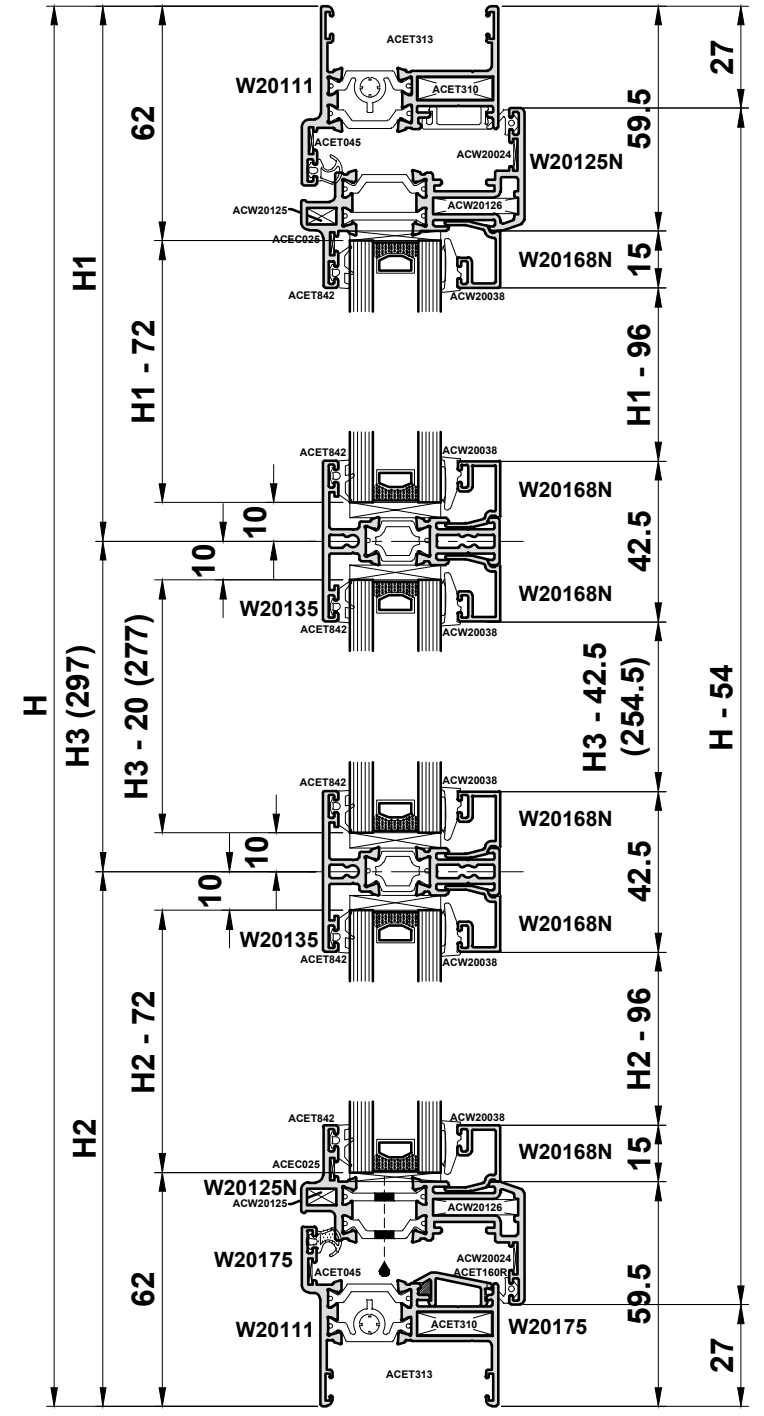
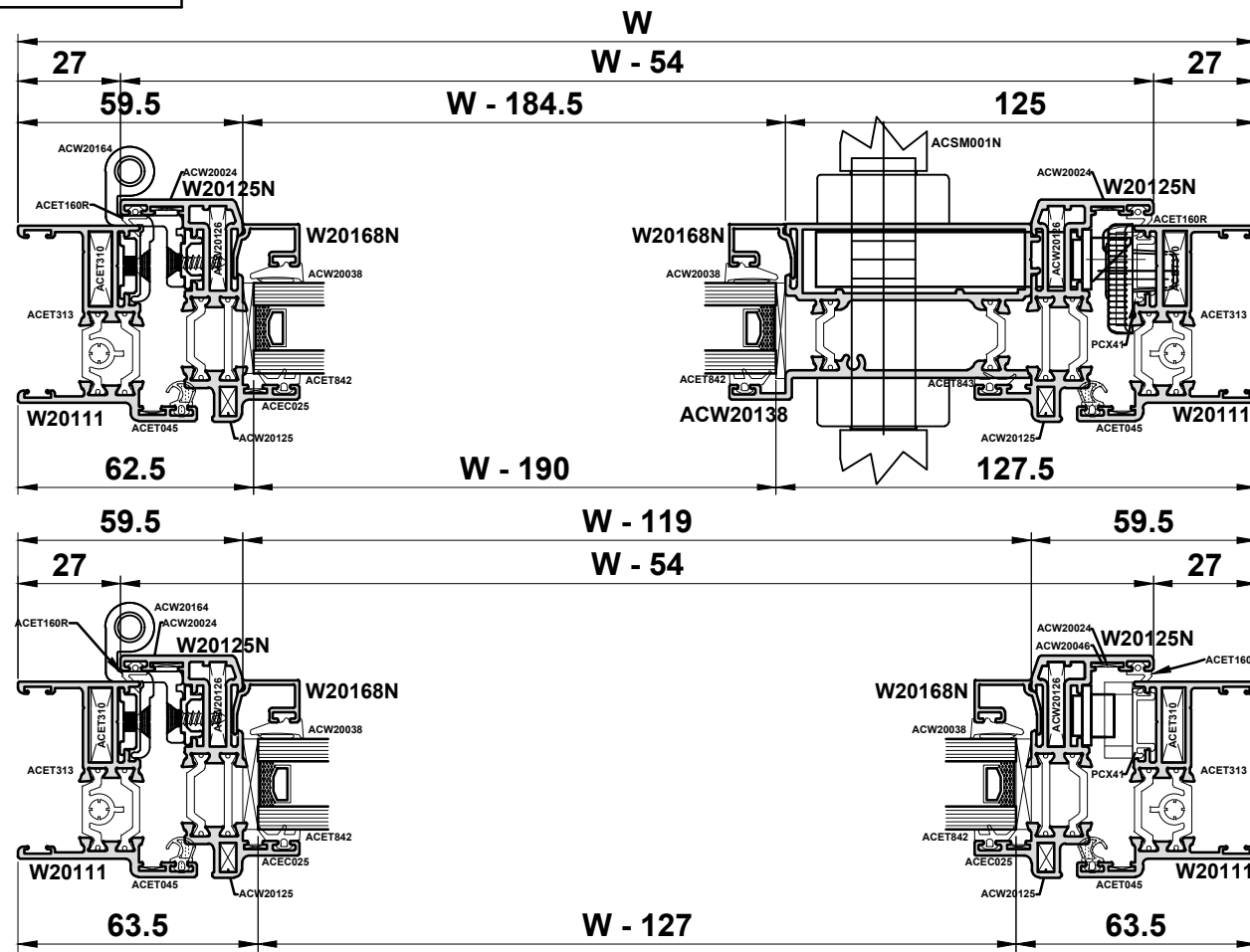
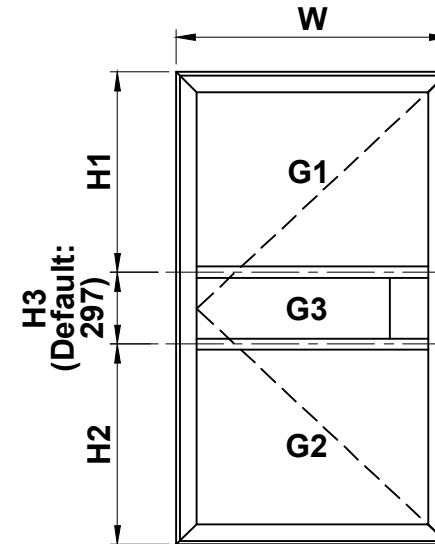
W20111		2		H
W20111		2		W
W20125N		2		W - 54
W20125N		2		H - 54
W20135		2		W - 119
W20168N		4		W - 119
W20168N		2		W - 184.5
W20168N		2		H1 - 96
W20168N		2		H2 - 96
W20168N		2		H3 - 42.5
W20175		1		W - 59
ACW20138		1		285
PCX41		2		W - 54
PCX41		2		H - 54

Glass

G1	1 x	W - 127 x H1 - 72
G2	1 x	W - 127 x H2 - 72
G3	1 x	W - 190 x H3 - 20

Accessories

ACEC025	Chevrons	2	ACW20166L/R	Centre Keep	1
ACET045	Chevrons	2	ACET067	S/S CSK S/T Screw	15
ACET066	Transom/Mullion Screw	6	ACET390	Polyamide Screw	8
ACET160R	Vent Frame Seal	2(W-25) + 2(H-25)	ACCY4525NKTTS3	Cylinder	1
ACET310	Outer Frame Cleats	4	ACSM001N	Door Handle	1 Pair
ACET380	Run Up Block	2	ACET313	Outerframe Foam	2H + 2W
ACET842	E Gasket	6(W-95) + 2(H-95)	ACET843	Seal	H3
ACGSL045	Drainage Cap	2			
ACVS033	Outer Frame Seal	2(W-60) + 2(H-60)			
ACW20024	Chevrons	4			
ACW20038	Wedge Gasket	6(W-95) + 2(H-95)			
ACW20056	Vent Frame Cleats	4			
ACW20164	Hinges	4			
ACW20065	Multi-Point Lock	1			
ACW20067	Roller Keeps	4			
ACW20125	Vent Frame Cleats	4			
ACW20126	Vent Frame Cleats	8			
ACW20160	Outer Frame Screw	4			



Do Not Scale From This Drawing

SAWING TABLES

Cutting Information - Open In Double Door

Profiles

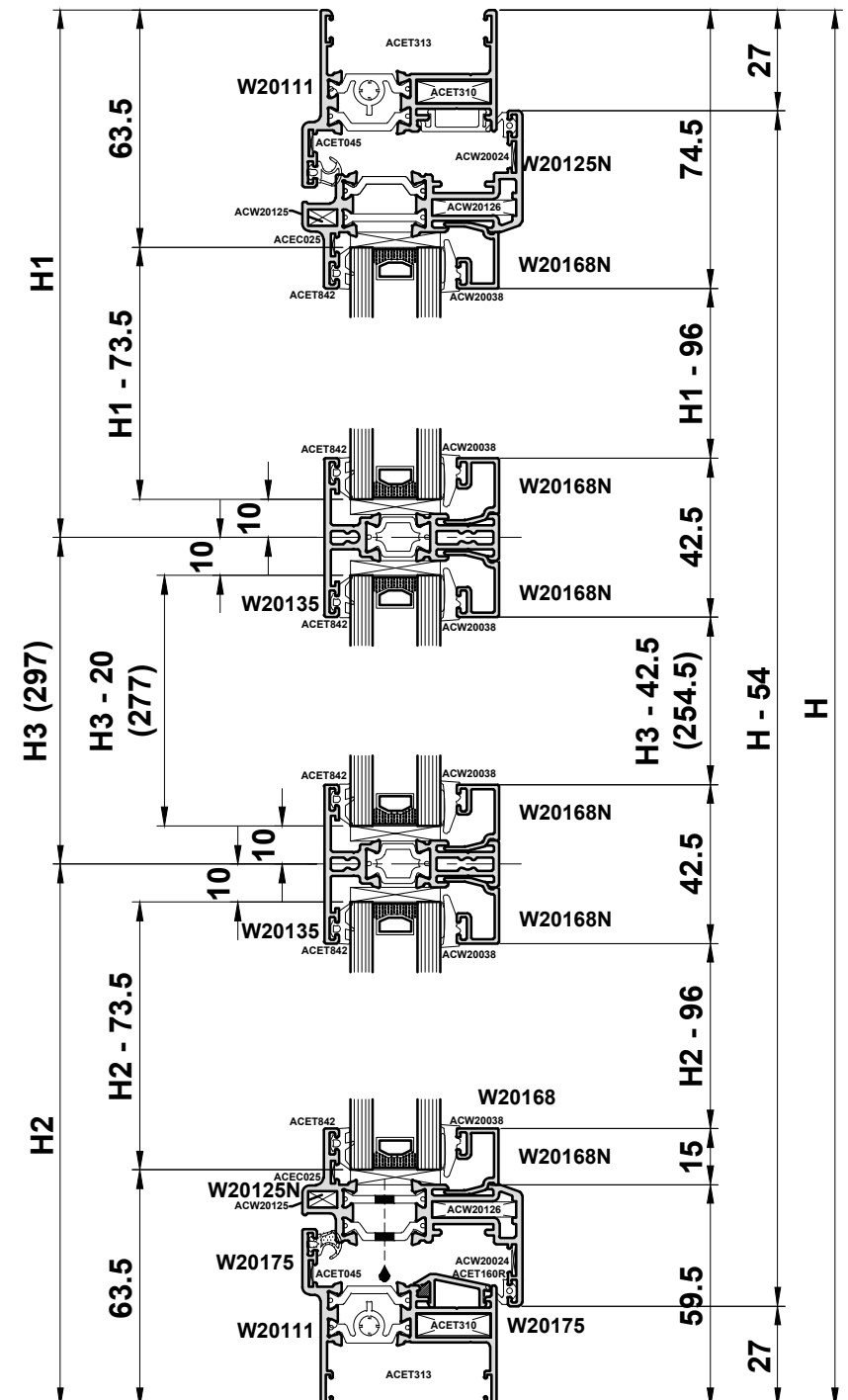
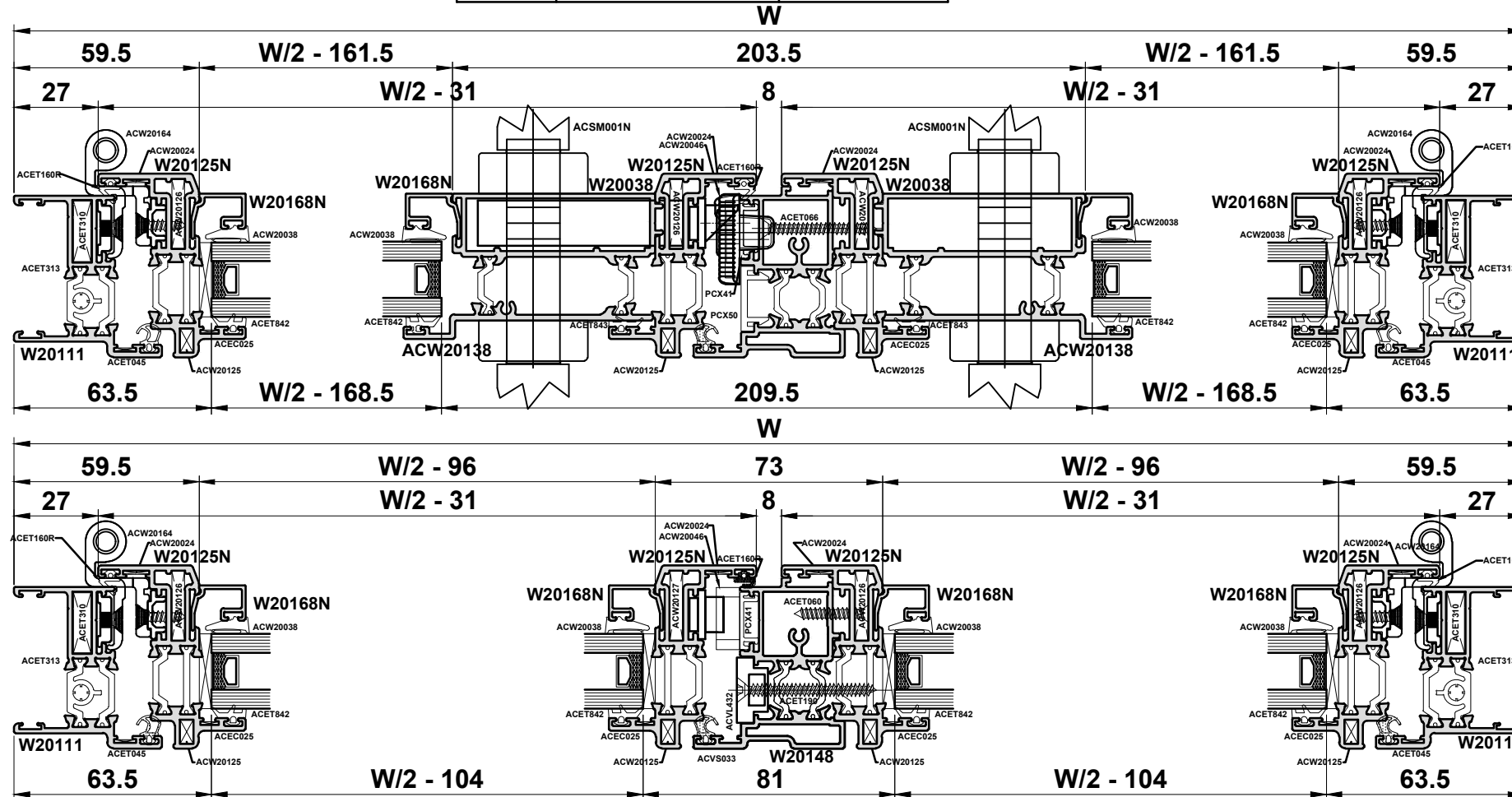
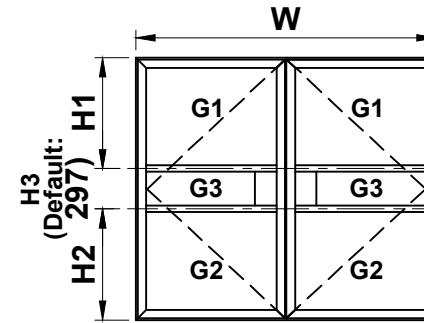
W20111		2		H
W20111		2		W
W20125N		4		W/2 - 31
W20125N		4		H - 54
W20135		4		W/2 - 96
W20148		1		H - 83
W20168N		8		W/2 - 96
W20168N		4		W/2 - 161.5
W20168N		4		H1 - 96
W20168N		4		H2 - 96
W20168N		4		H3 - 42.5
W20175		1		W - 59
ACW20138		2		285
PCX41		2		H - 54
PCX41		1		H - 83
PCX41		2		W - 54
PCX50		1		H - 83

Accessories

ACET045	Chevrons	6	ACW20432	Shoot Bolt Keeps	2
ACET045	Chevrons	6	ACET067	S/S CSK S/T Screw	15
ACET066	Transom/Mullion Screw	20	ACET390	Polyamide Screw	8
ACET160R	Vent Frame Seal	4(W/2-16) + 3(H-25)	ACCY4525NKTTS3	Cylinder	1
ACET310	Outer Frame Cleats	4	ACSM001N	Door Handle	1 Pair
ACET380	Run-Up Block	4	ACSM025L/R	Door Dummy Handle	1 Pair
ACET842	E Gasket	12(W/2-85) + 4(H-95)	ACET313	Outerframe Foam	2H + 2W
ACGSL045	Drainage Caps	4	ACET843	Seal	H3 x 2
ACVL432	Shootbolt	2			
ACVS033	Outer Frame Seal	2(W-60) + 3(H-60)			
ACW20024	Chevrons	8			
ACW20038	Wedge Gasket	12(W/2-85) + 4(H-95)			
ACW20164	Hinges	8			
ACW20065	Multi-Point Lock	1			
ACW20067	Roller Keeps	4			
ACW20125	Vent Frame Cleats	8			
ACW20126	Vent Frame Cleats	4			
ACW20148	W20148 End Cap	1 Pair			
ACW20160	Outer Frame Screw	4			
ACW20166L/R	Centre Keep	1			

Glass

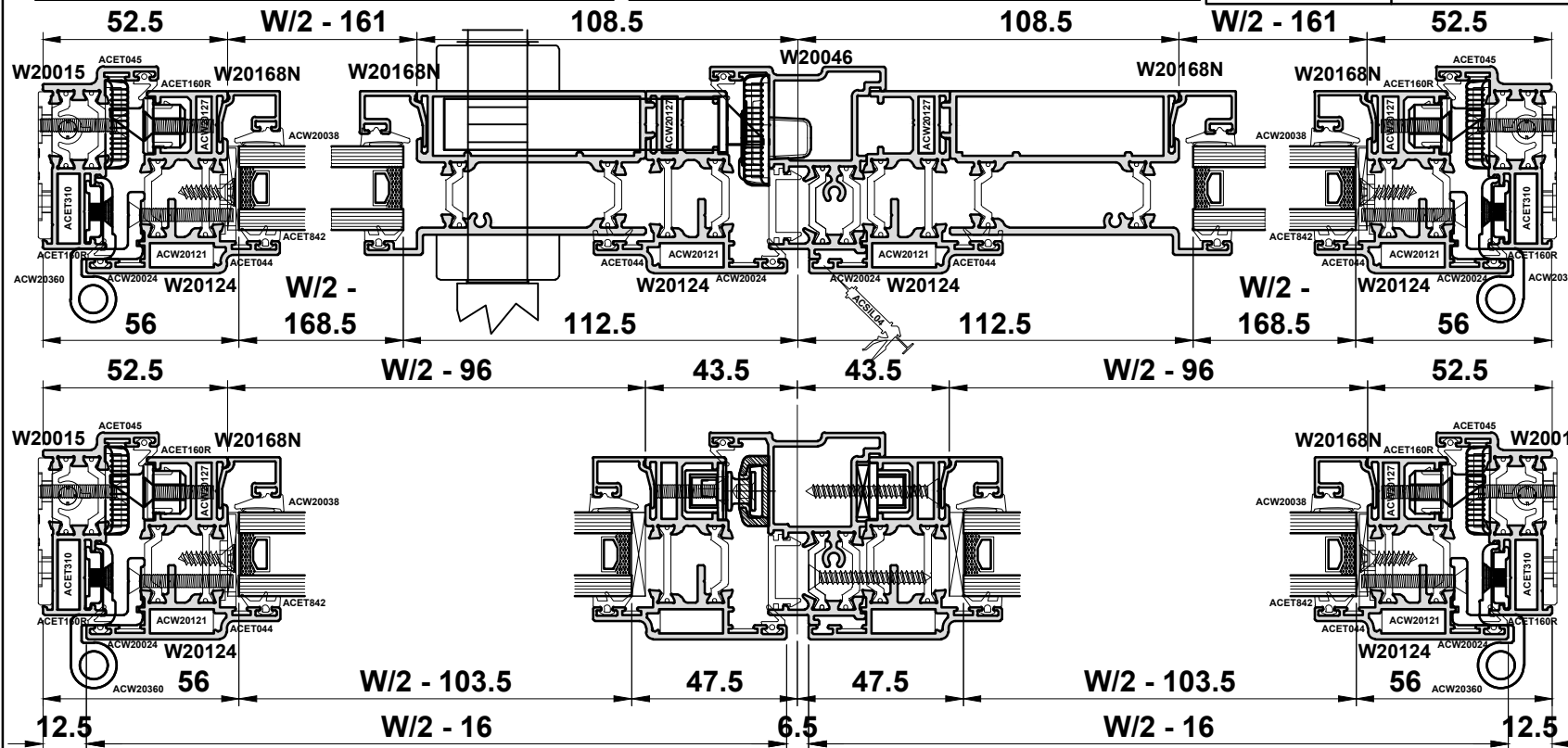
G1	2 x	W/2 - 104 x H1 - 73.5
G2	2 x	W/2 - 104 x H2 - 73.5
G3	2 x	W/2 - 168.5 x H3 - 20



Do Not Scale From This Drawing

Cutting Information - PAS24 Open Out Double Door Low Threshold

Profile Cutting Schedule					Accessories			ACSM001N			Lever Handle			2 Pairs			ACW20360			Hinge Kit																	
W20015	2			H - 15	ACCY4525NKTTS3	Cylinder	2	ACET842	E Gasket	6(W/2 - 106)	ACW20360	Hinge Kit	8	ACW20367	PAS24 Roller Keep	4	ACW20375	Hinge Protector	8	ACW20382	M4 Fixing Plate	40	ACW20437	Shoot Bolt Keep	2	ACW20465	Primary Lock	1	ACW20466	Secondary Lock	1	ACW20494	Meeting Stile Packer	500mm Centres			
W20015	1			W	ACDV737	Shootbolt	2	ACET842	E Gasket	2(H - 127)	ACW20024	Sash S/S Chevron	8	ACW20038	Wedge Gasket	6(W - 127)	ACW20121	Sash Cleats	8	ACW20127	Sash Cleats	8	ACW20144	W20046 End Cap	Pair	ACW20147	W20046 End Cap	Pair	ACW20160	Outer Frame Screw	4	ACW20272	W20272 End Caps	2 Pairs	ACW20270	W20270 End Caps	Pair
W20046	1			H - 55	ACDV738	Shootbolt	2	ACGSL045	Drainage Cover Cap	4	ACW20066	Lock Keep	1	ACW20121	Sash Cleats	8	ACW20144	W20046 End Cap	Pair	ACW20147	W20046 End Cap	Pair	ACW20160	Outer Frame Screw	4	ACW20272	W20272 End Caps	2 Pairs	ACW20270	W20270 End Caps	Pair						
W20124	4			H - 32.5	ACET044	Sash S/S Chevron	8	ACVSO33	Woolpile	2(W - 66)	ACW20121	Sash Cleats	8	ACW20144	W20046 End Cap	Pair	ACW20147	W20046 End Cap	Pair	ACW20160	Outer Frame Screw	4	ACW20272	W20272 End Caps	2 Pairs	ACW20270	W20270 End Caps	Pair									
W20124	4			W/2 - 16	ACET045	Outer S/S Chevron	2	ACVSO33	Woolpile	2(W - 79)	ACW20121	Sash Cleats	8	ACW20144	W20046 End Cap	Pair	ACW20147	W20046 End Cap	Pair	ACW20160	Outer Frame Screw	4	ACW20272	W20272 End Caps	2 Pairs	ACW20270	W20270 End Caps	Pair									
W20135	4			W/2 - 96	ACET060	Screw	4	ACUN3512	Screw	12	ACW20121	Sash Cleats	8	ACW20144	W20046 End Cap	Pair	ACW20147	W20046 End Cap	Pair	ACW20160	Outer Frame Screw	4	ACW20272	W20272 End Caps	2 Pairs	ACW20270	W20270 End Caps	Pair									
W20168N	4			W/2 - 161	ACET064	Screw	10	ACUN3532	M4 Threaded Insert	40	ACW20121	Sash Cleats	8	ACW20144	W20046 End Cap	Pair	ACW20147	W20046 End Cap	Pair	ACW20160	Outer Frame Screw	4	ACW20272	W20272 End Caps	2 Pairs	ACW20270	W20270 End Caps	Pair									
W20168N	8			W/2 - 96	ACET066	Screw	16	ACUN3537	Screw	40	ACW20121	Sash Cleats	8	ACW20144	W20046 End Cap	Pair	ACW20147	W20046 End Cap	Pair	ACW20160	Outer Frame Screw	4	ACW20272	W20272 End Caps	2 Pairs	ACW20270	W20270 End Caps	Pair									
W20168N	4			H1 - 88.5	ACET066	Screw	100mm / 300mm	ACW20024	Sash S/S Chevron	8	ACW20121	Sash Cleats	8	ACW20144	W20046 End Cap	Pair	ACW20147	W20046 End Cap	Pair	ACW20160	Outer Frame Screw	4	ACW20272	W20272 End Caps	2 Pairs	ACW20270	W20270 End Caps	Pair									
W20168N	4			H2 - 96	ACET066	Screw	2 x 300mm Centres	ACW20038	Wedge Gasket	6(W - 127)	ACW20121	Sash Cleats	8	ACW20144	W20046 End Cap	Pair	ACW20147	W20046 End Cap	Pair	ACW20160	Outer Frame Screw	4	ACW20272	W20272 End Caps	2 Pairs	ACW20270	W20270 End Caps	Pair									
W20168N	4			H3 - 42	ACET067	Screw	10	ACW20038	Wedge Gasket	4(H - 127)	ACW20121	Sash Cleats	8	ACW20144	W20046 End Cap	Pair	ACW20147	W20046 End Cap	Pair	ACW20160	Outer Frame Screw	4	ACW20272	W20272 End Caps	2 Pairs	ACW20270	W20270 End Caps	Pair									
W20270	1			W - 6	ACET123	Screw	40	ACW20066	Lock Keep	1	ACW20121	Sash Cleats	8	ACW20144	W20046 End Cap	Pair	ACW20147	W20046 End Cap	Pair	ACW20160	Outer Frame Screw	4	ACW20272	W20272 End Caps	2 Pairs	ACW20270	W20270 End Caps	Pair									
W20272	2			W/2 (-66 & -79)	ACET160R	Outer Gasket	2(W/2 - 50)	ACW20121	Sash Cleats	8	ACW20144	W20046 End Cap	Pair	ACW20147	W20046 End Cap	Pair	ACW20160	Outer Frame Screw	4	ACW20272	W20272 End Caps	2 Pairs	ACW20270	W20270 End Caps	Pair												
ACW20140	2			285	ACET160R	Outer Gasket	1(H - 29)	ACW20121	Sash Cleats	8	ACW20144	W20046 End Cap	Pair	ACW20147	W20046 End Cap	Pair	ACW20160	Outer Frame Screw	4	ACW20272	W20272 End Caps	2 Pairs	ACW20270	W20270 End Caps	Pair												
EUD03	2			W - 6	ACET160R	Sash Gasket	4(W - 33)	ACW20121	Sash Cleats	8	ACW20144	W20046 End Cap	Pair	ACW20147	W20046 End Cap	Pair	ACW20160	Outer Frame Screw	4	ACW20272	W20272 End Caps	2 Pairs	ACW20270	W20270 End Caps	Pair												
PCX15	1			H - 30	ACET160R	Sash Gasket	2(H - 16.5)	ACW20121	Sash Cleats	8	ACW20144	W20046 End Cap	Pair	ACW20147	W20046 End Cap	Pair	ACW20160	Outer Frame Screw	4	ACW20272	W20272 End Caps	2 Pairs	ACW20270	W20270 End Caps	Pair												
PCX15	2			W/2 - 50	ACET234	Threshold Gasket	1(W)	ACW20121	Sash Cleats	8	ACW20144	W20046 End Cap	Pair	ACW20147	W20046 End Cap	Pair	ACW20160	Outer Frame Screw	4	ACW20272	W20272 End Caps	2 Pairs	ACW20270	W20270 End Caps	Pair												
PCX41	2			H - 33	ACET310	Outer Frame Cleats	2	ACW20121	Sash Cleats	8	ACW20144	W20046 End Cap	Pair	ACW20147	W20046 End Cap	Pair	ACW20160	Outer Frame Screw	4	ACW20272	W20272 End Caps	2 Pairs	ACW20270	W20270 End Caps	Pair												
PCX41	2			W - 36	ACET380	Run Up Block	4	ACW20121	Sash Cleats	8	ACW20144	W20046 End Cap	Pair	ACW20147	W20046 End Cap	Pair	ACW20160	Outer Frame Screw	4	ACW20272	W20272 End Caps	2 Pairs	ACW20270	W20270 End Caps	Pair												
PCX49	1			H - 54				ACW20121	Sash Cleats	8	ACW20144	W20046 End Cap	Pair	ACW20147	W20046 End Cap	Pair	ACW20160	Outer Frame Screw	4	ACW20272	W20272 End Caps	2 Pairs	ACW20270	W20270 End Caps	Pair												



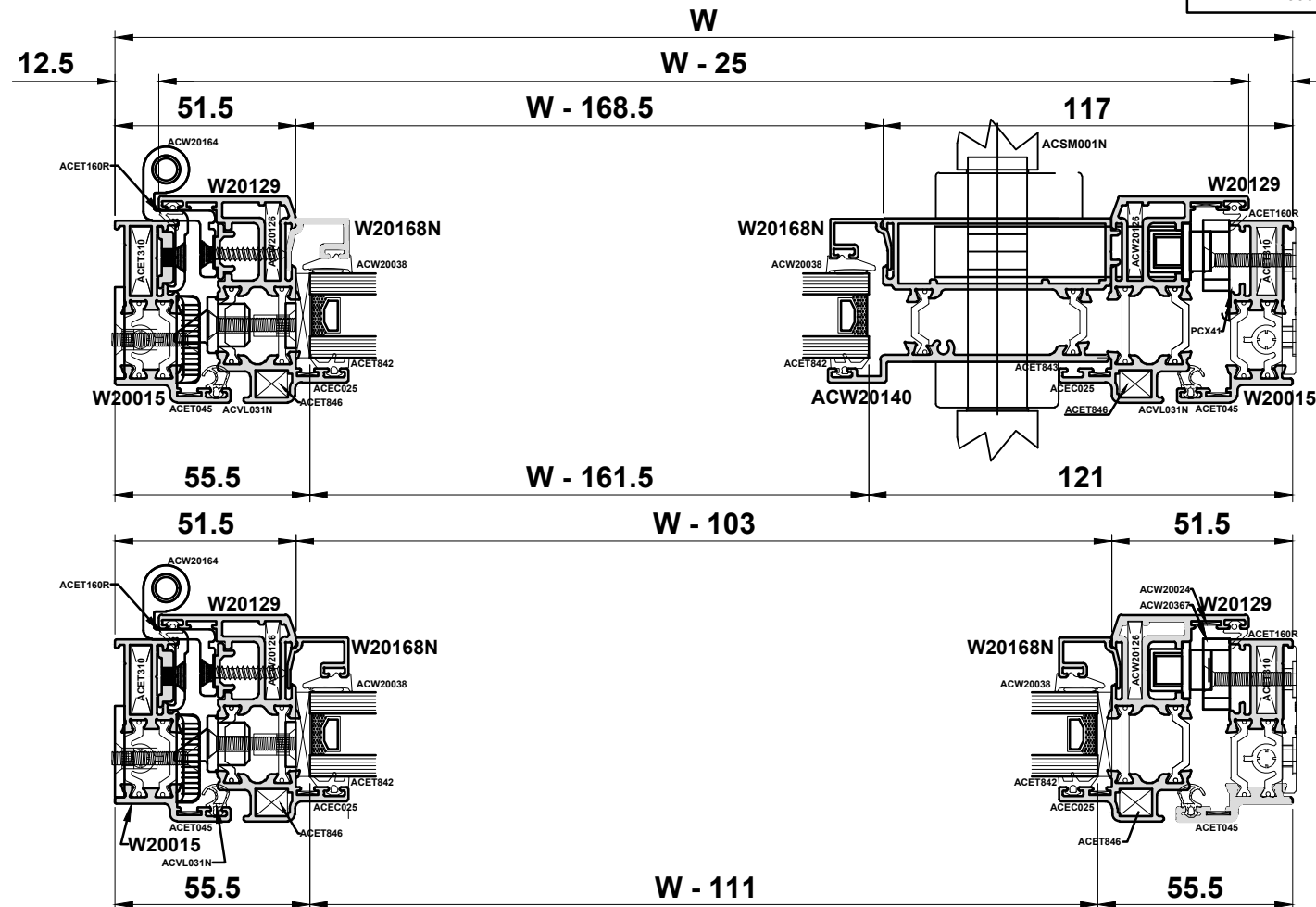
Cutting Information - PAS24 Open In Single Door

Profile Cutting Schedule				
W20015	2			H
W20015	2			W
W20129	2			H - 25
W20129	2			W - 25
W20135	2			W - 103
W20168N	2			W - 168.5
W20168N	4			W - 103
W20168N	2			H1 - 87.5
W20168N	2			H2 - 87.5
W20168N	2			H3 - 42
ACW20140	1			285
PCX15	2			H - 58
PCX15	2			W - 58
PCX41	2			H - 36
PCX41	2			W - 36

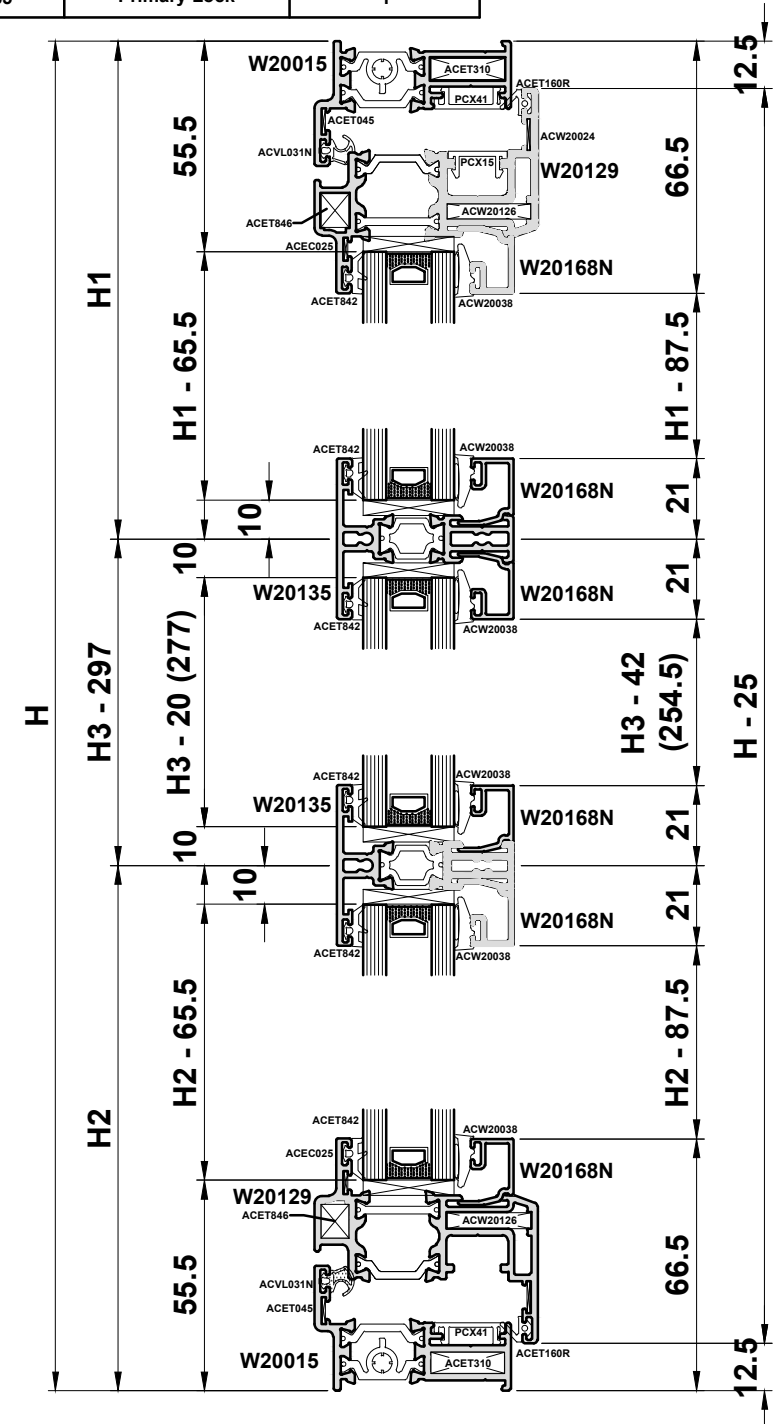
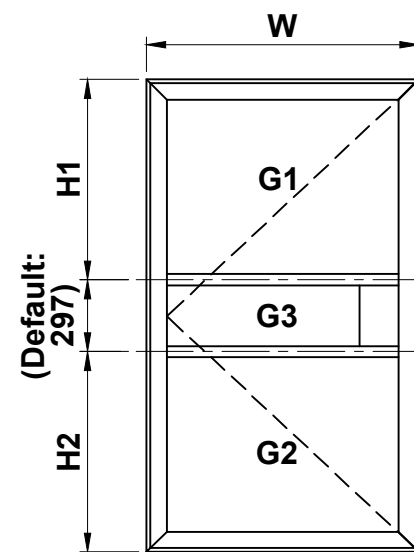
Accessories		
ACCY4525NKTT3	Cylinder	2
ACDV737	Shootbolt	1
ACDV738	Shootbolt	1
ACEC025	S/S Chevron	4
ACET045	Outer S/S Chevron	4
ACET060	Screw	2
ACET066	Screw	8
ACET123	Screw	44
ACET160R	Sash Gasket	2(H - 33)
ACET160R	Sash Gasket	2(W - 33)
ACET269	Single Keep	Pair
ACET310	Outer Frame Cleats	4
ACET380	Run Up Block	2
ACSM001N	Lever Handle	Pair
ACET842	E Gasket	6(H - 127)

ACET842	E Gasket	2(W - 127)
ACET846	Sash Frame Cleats	4
ACGSL045	Drainage Cap	2
ACMX863	Screw	1
ACUN3532	M4 Threaded Insert	32
ACUN3537	Screw	24
ACVL031N	Outer Gasket	2(H - 58)
ACVL031N	Outer Gasket	2(W - 58)
ACW0024	Sash S/S Chevron	4
ACW0038	Wedge Gasket	6(W - 127)
ACW0038	Wedge Gasket	2(H - 127)
ACW0126	Sash Frame Cleats	4
ACW0160	Outer Frame Screw	4
ACW0164	Hinge Kit	4
ACW0166	Lock Keep	1
ACW0367	PAS24 Roller Keep	4

ACW20375	Hinge Protector	4
ACW20382	M4 Fixing Plate	16
ACW20383	M4 Fixing Plate	4
ACW20386	M4 Fixing Plate	4
ACW20465	Primary Lock	1



Glass	
G1	W - 111 X H1 - 65.5
G2	W - 111 X H2 - 65.5
G3	W - 161.5 X H3 - 20



Do Not Scale From This Drawing

