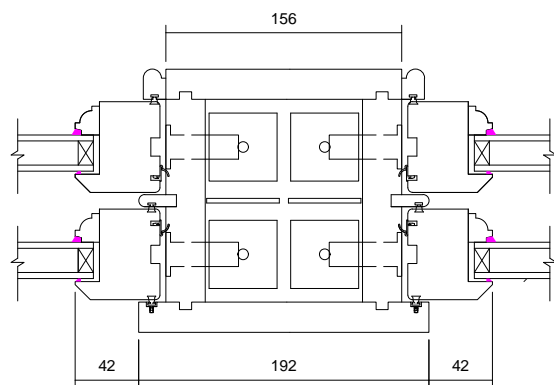
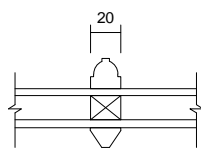


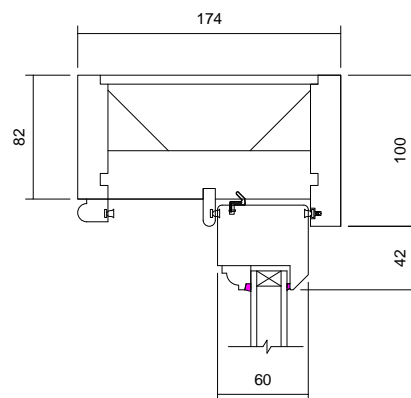
03 Jamb Detail
1 : 5



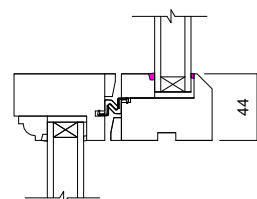
04 Mullion Detail
1 : 5



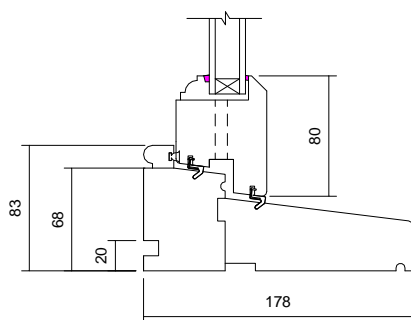
05 Glazing Bar Detail
1 : 5



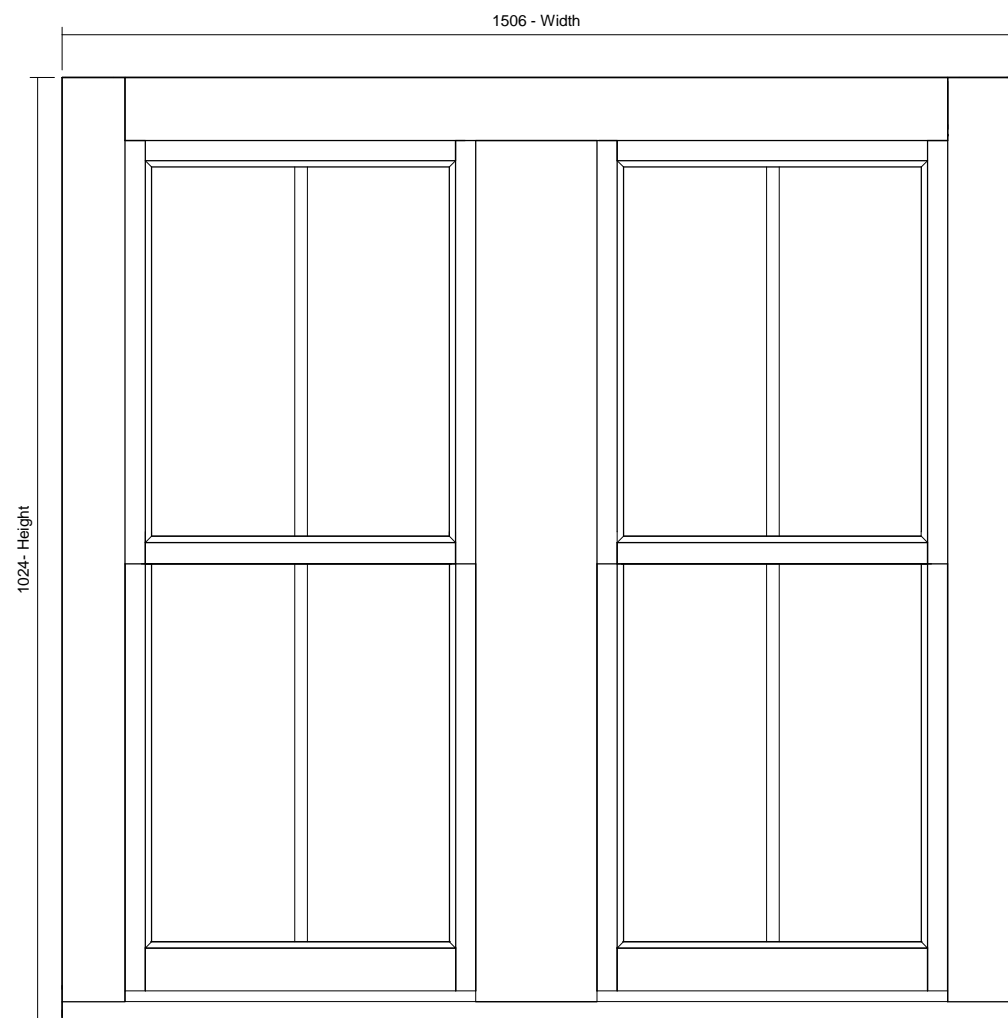
06 Head Detail
1 : 5



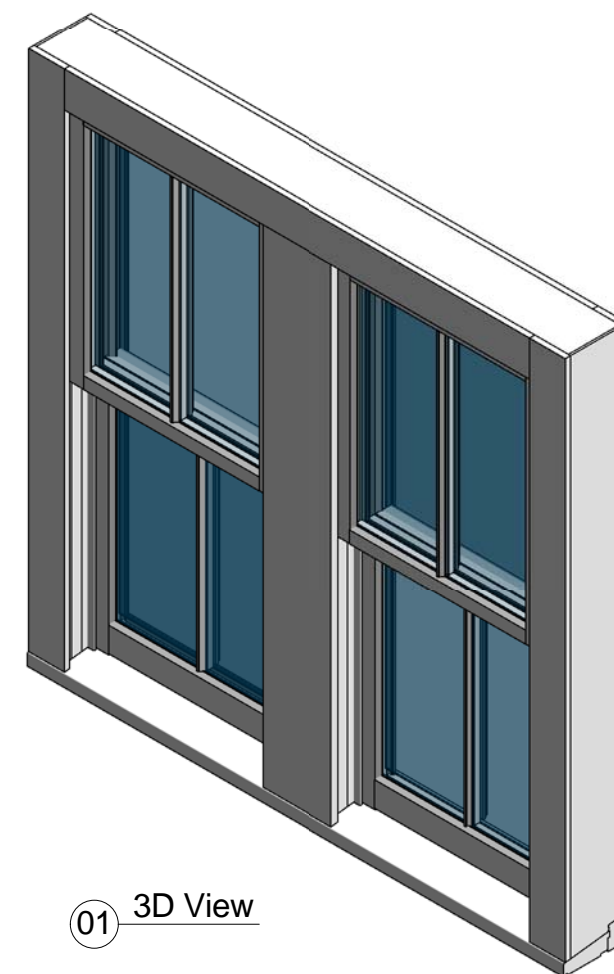
07 Meeting Rail Detail
1 : 5



08 Cill Detail
1 : 5



02 Front View
1 : 12



01 3D View

| Window Schedule | |
|-----------------|-------|
| Height | Width |
| 1024 | 1506 |

NOTE! ELEVATION DRAWINGS VIEWED EXTERNALLY

| | | | |
|------------------------------------|----------|--|--|
| Drawing Number B2/22V | | Drawn By DH | |
| Scale 1:5, 1:12 & 1:15 @ A4 | Revision | Date 26/09/16 | |
| Customer | | | |
| Project | | TBC | |
| T 01277 353857 www.lomaxwood.co.uk | | © COPYRIGHT 2016 LOMAX-WOOD. ALL RIGHTS RESERVED | |

