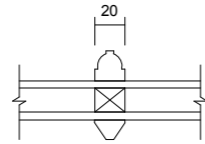
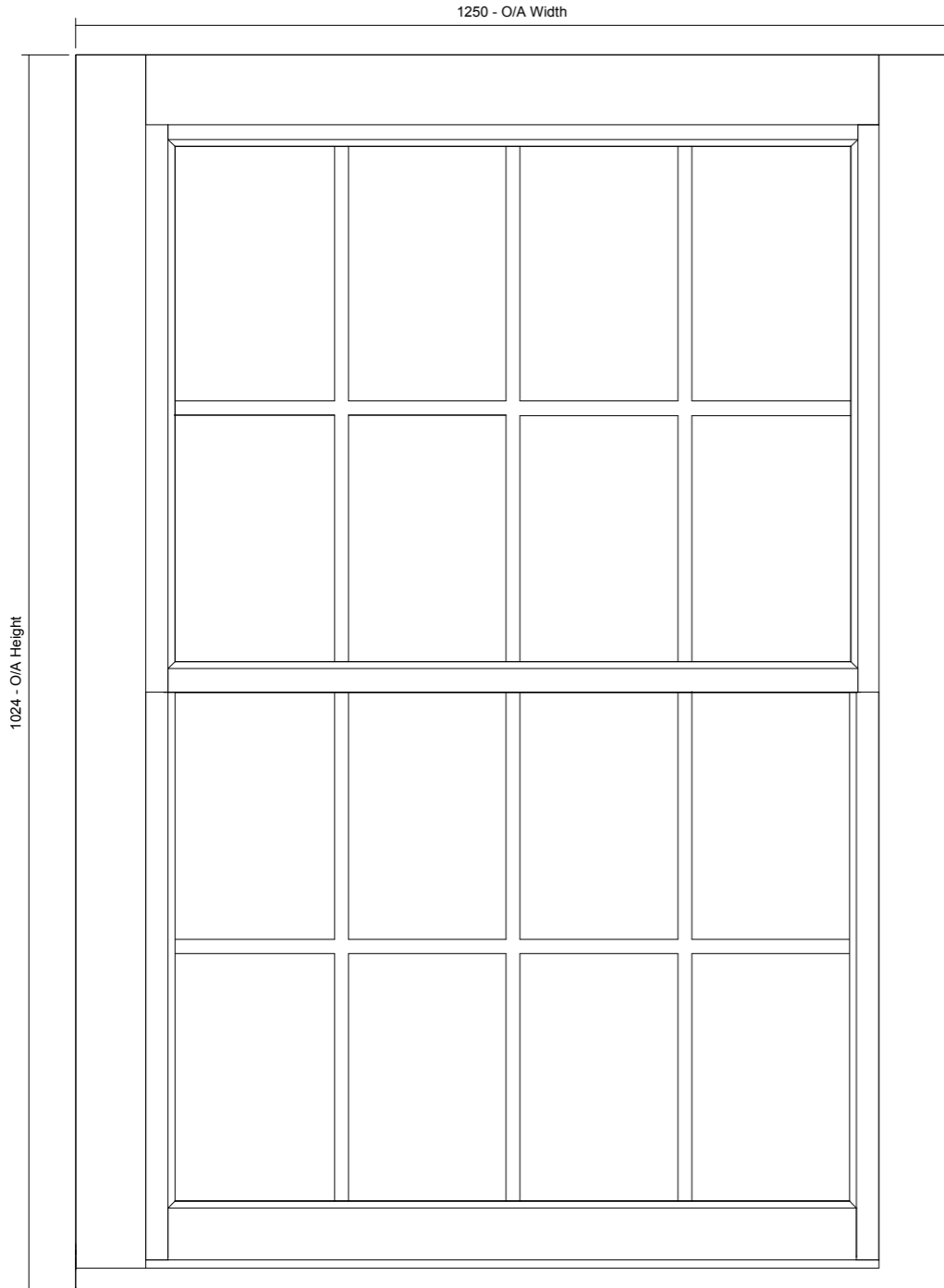


03 Jamb Detail
1 : 5



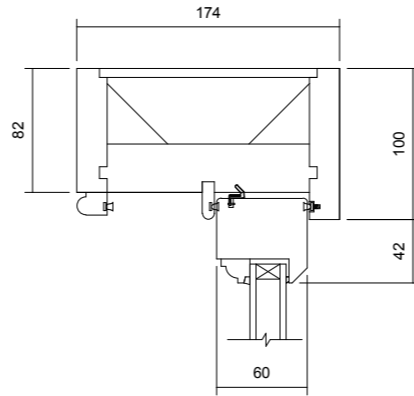
04 Glazing Bar Detail
1 : 5



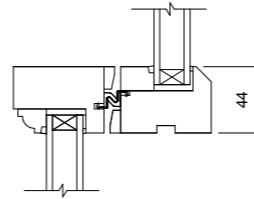
02 Front View
1 : 10

1024 - O/A Height

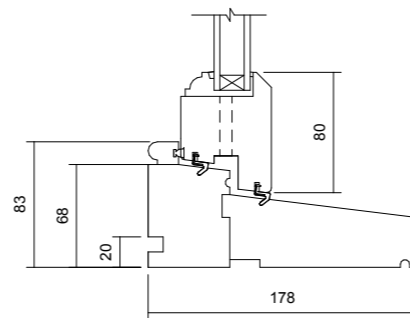
1250 - O/A Width



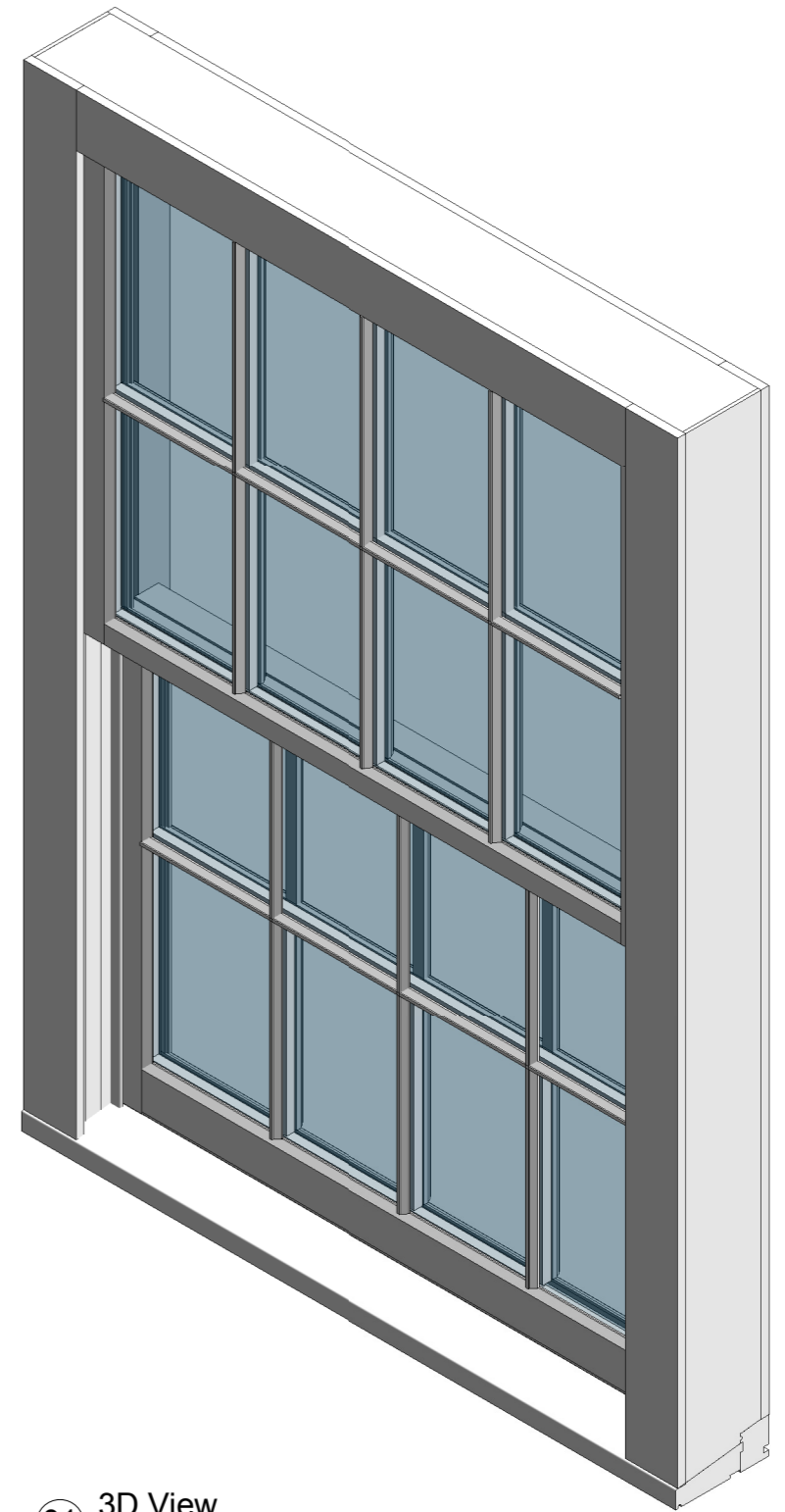
05 Head Detail
1 : 5



06 Meeting Rail Detail
1 : 5




07 Cill Detail
1 : 5



01 3D View

Window Schedule	
Height	Width
1770	1250

NOTE! ELEVATION DRAWINGS VIEWED EXTERNALLY

	Made-to-order timber windows and doors		Drawing Number B1/88	Drawn By DH
	Scale 1:5 & 1:10 @ A4	Revision	Date 26/09/16	Customer
Project Box Sash 1770 x 1250			© COPYRIGHT 2016 LOMAX+WOOD. ALL RIGHTS RESERVED	

T 01277 353857 www.lomaxwood.co.uk