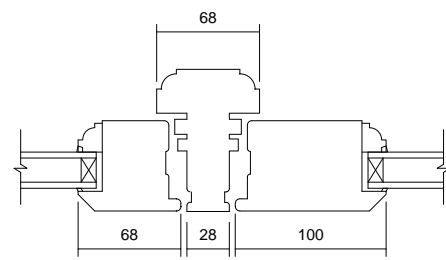
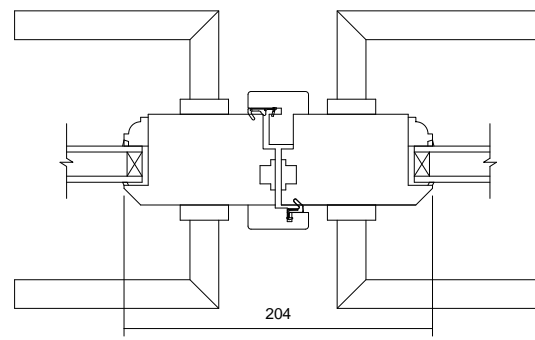


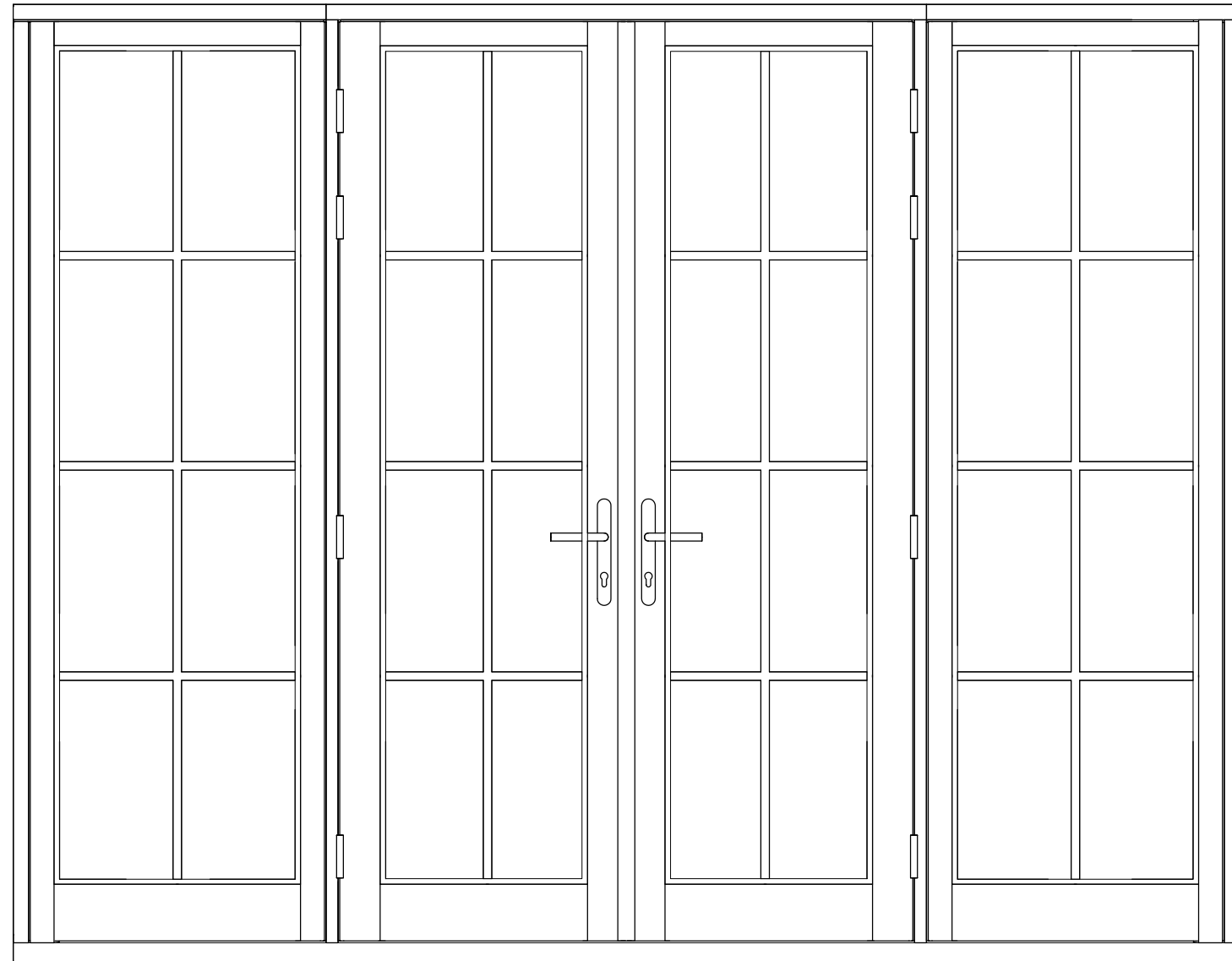
03 Jamb Detail
1:5



04 Mullion Detail
1:5

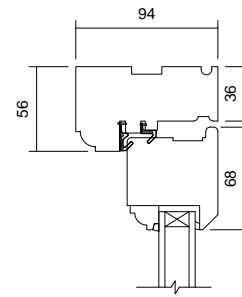


05 Meeting Stile
1:5

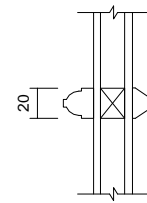


02 Elevation View
1:15

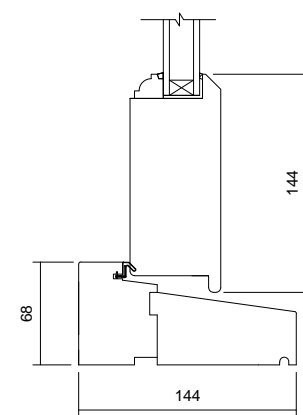
dfsSchedule	
Height	Width
2250	2880



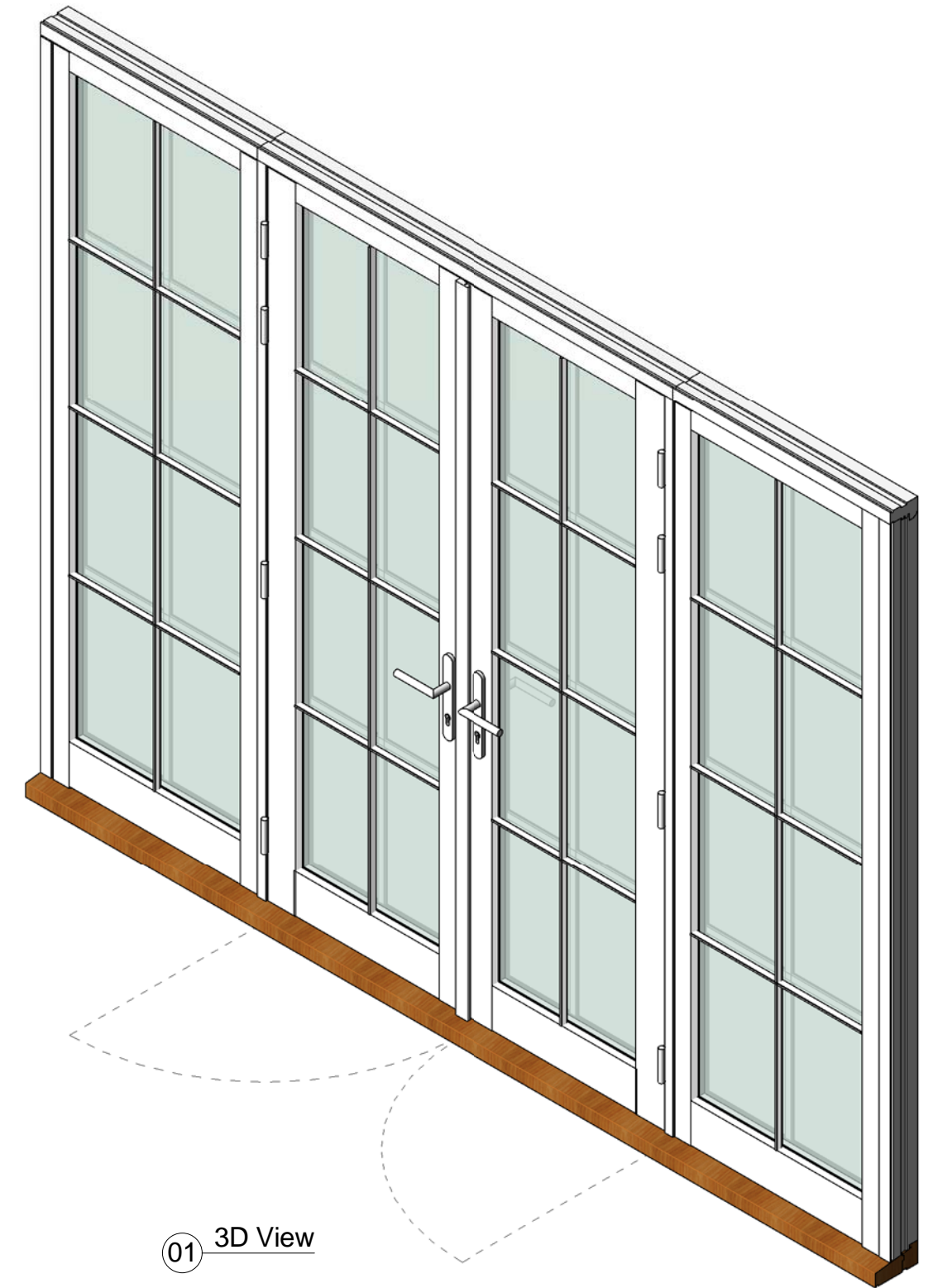
06 Head Detail
1:5



07 Glazing Bar Detail
1:5




08 Threshold Detail
1:5



01 3D View

NOTE! ELEVATION DRAWINGS VIEWED EXTERNALLY

 <p>Made-to-order timber windows and doors</p>	Drawing Number FDO24-24S		Drawn By DH
	Scale 1:5 & 1:11 @ A4	Revision	Date 23/09/16
	Customer		
	Project Open Inward French Doorset		
T 01277 353857 www.lomaxwood.co.uk		© COPYRIGHT 2016 LOMAX-WOOD. ALL RIGHTS RESERVED	